

CERIO Corporation

CW-300N

eXtreme Power 11n 2.4Ghz 2x2 Ceiling / Wall PoE Access Point (500mW)

Quick Start Guide

1. Overview.....	3
2. Package Content.....	3
3. Hardware Specifications	4
4. Product Outward Appearance	5
5. Panel Function Description.....	6
6. Mounting Installation	7
7. Uninstallation for Mounting kit.....	8
8. Software Configuration	8

1. Overview

The CW-300N eXtreme Power 11n 2.4Ghz 2x2 Ceiling / Wall PoE Access Point bundles Cerio CenOS 3.0 Software Core and supports Cerio Wireless Management Software (CWMS), enabling connection to Wireless Indoor Networks for service providers deploying last mile services to home , businesses, and residential broadband subscribers. Network administrators can **create** and **centrally manage multiple subscriber service tiers** using per-subscriber rate limiting features. The CW-300N Structure(Form Factor) supports both Ceiling and Wall mounting.

The CW-300N eXtreme Power 11n 2.4Ghz 2x2 Ceiling / Wall PoE Access Point hardware utilizes 500mW eXtreme power and **built-in 2.4 GHz 2x2 Omni directional antennas**. The CW-300N eXtreme Power 11n 2.4Ghz 2x2 Wireless Access Point hardware with Cerio CenOS 3.0 software may utilize Cerios **CWMS** management software to better organize and manage a network infrastructure. The CW-300N can also provide subscribers with an Ethernet connection for a local access to extend the range and increase the performance of a wireless network. The CW-300N hardware also **includes 802.3af PoE** capabilities that allows power and data to be supplied to the unit using CAT5 Ethernet cable.

2. Package Content

CW-300N Main Unit	x1
Mounting Bracket	x1
Mounting Screw Pack	x1
Quick Installation Guide	x1
Warranty Card	x1

Note: This product supports both Power 12V DC input and Power Over Ethernet (PoE PD) Power input design. However, the Package Content does not include a Power adapter or PoE(PSE) source. Power sources can be requested as an optional component, and includes 12V PoE adapter or 802.3af / at 48V PoE (PSE) devices. (PoE Injector or PoE Switch)

3. Hardware Specifications

Application Software	
OS System Compatible edition	Cerio CenOS 3.0 and Cerio CenOS 4.0 Software Core
Specifications	
Network Standards	IEEE 802.11 b/g/n compliant
Conformance	IEEE 802.3 / IEEE 802.3u IEEE 802.11 b/g/n compliant IEEE802.3af/at Power Over Ethernet compliant IEEE 802.11Q IEEE802.11e WMM
Ethernet Configuration	10/100BASE-TX Auto MDI/MDI-X Ethernet Connector x 1 (Power over Ethernet 802.3.af/at PoE in)
LED Indicators	(WLAN) Wifi LED x 1 (LAN) Ethernet LED x 1 (PWR) Power LED x 1
Wireless Specifications	
Data Transfer Rate	IEEE802.11b : 1 / 2 / 5.5 / 11Mbps (auto sensing) IEEE801.11g : 6/ 9/ 12/ 18/ 24/ 36/ 48/ 54Mbps (auto sensing) IEEE802.11n : 300Mbps (Tx), 300Mbps (Rx)
Frequency Range	2.412 ~ 2.462GHz (USA) 2.412 ~ 2.484GHz (Japan) 2.412 ~ 2.472GHz (Europe ETSI) 2.457 ~ 2.462 GHz (Spain) 2.457 ~ 2.472 GHz (France)
Channel Spacing	IEEE802.11b/g/n : 20/40MHz
Modulation Method	CSMA / CA with ACK
Operating Channels	IEEE 802.11b: DSSS (DBPK,DQPSK,CCK) IEEE 802.11g/n: OFDM (64-QAM,16-QAM,QPSK,BPSK)
Transmit Power Variation	Max : 27 ± 1 dBm

Receiver Sensitivity	Max : -92 dBm
Environmental & Mechanical Characteristics	
Operating Temperature	-10 °C ~ 55 °C
Storage Temperature	-20 °C ~ 65 °C
Operating Humidity	10% - 90% Non-Condensing
Storage Humidity	10% - 90% Non-Condensing
Antenna	Build in 2x2 Smart Omni Directional Antenna
Form Factor	Supports both Ceiling Mounting and Wall mounting, installed using a provided Mounting Bracket.
System Power Consumption	9W Max.
Power Require	Supports 110 – 220V AC Power;12 VDC,1A Input.(optional) Supports Power Over Ethernet (POE 48~57V voltage) (optional) Integradted IEEE 802.3af /at Power over Ethernet (PoE)
Dimensions (W x H x D)	Main Unit : 36x120x120mm Main Unit with Bracket : 40x120x120mm
Unit Weight	166g
Certifications	FCC,CE, NCC, ROHS compliant

4. Product Outward Appearance

Product Front



Product Reverse side



Product Side



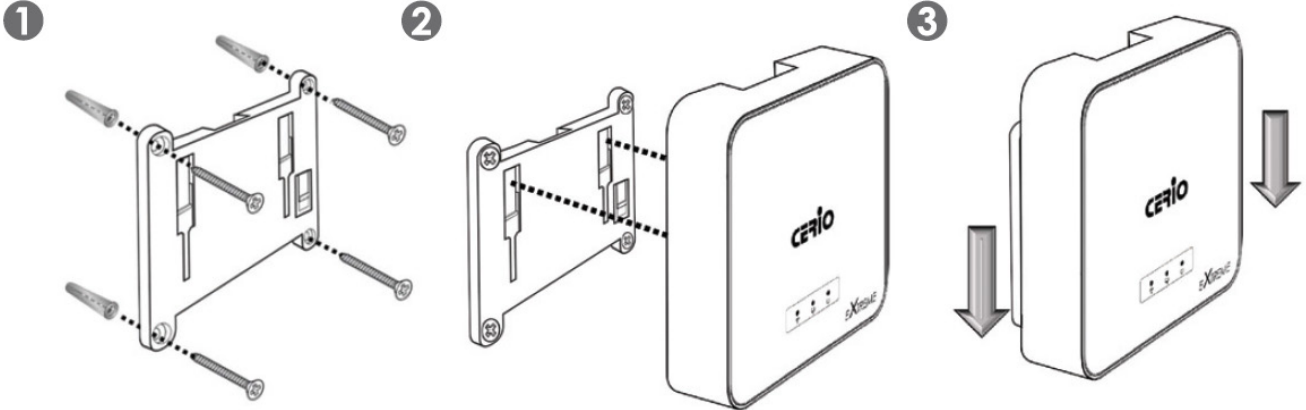
5. Panel Function Description



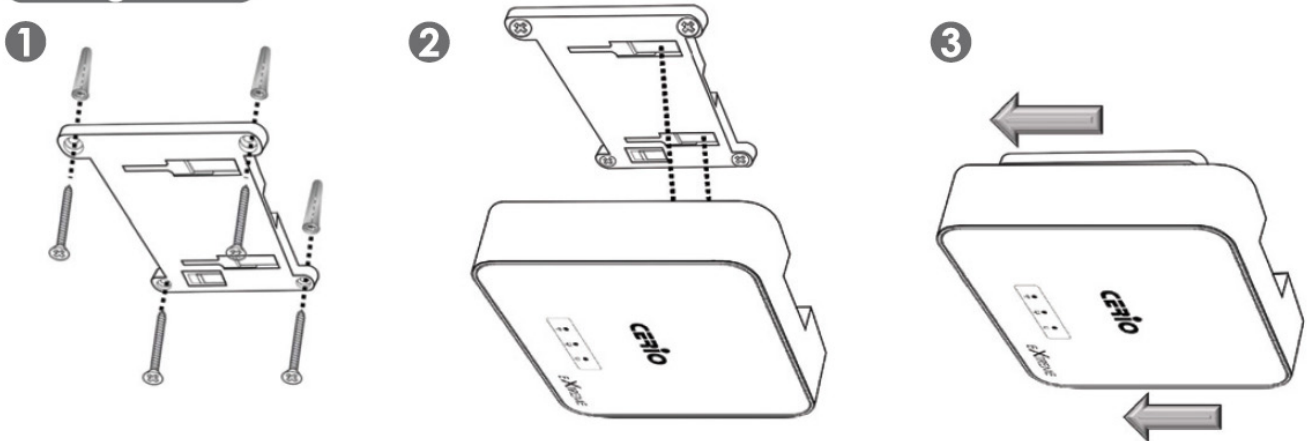
1. The LED by Product Power.
2. The LED by Ethernet LAN Network function.
3. The LED by Wi-Fi function.
4. The Ethernet connect by LAN Port
5. Reset button (Please press and hold for about 15 seconds and then release)
6. 12V / 1A DC input power (The power adapter by optional)
7. Mounting Clips.

6. Mounting Installation

Wall Mount

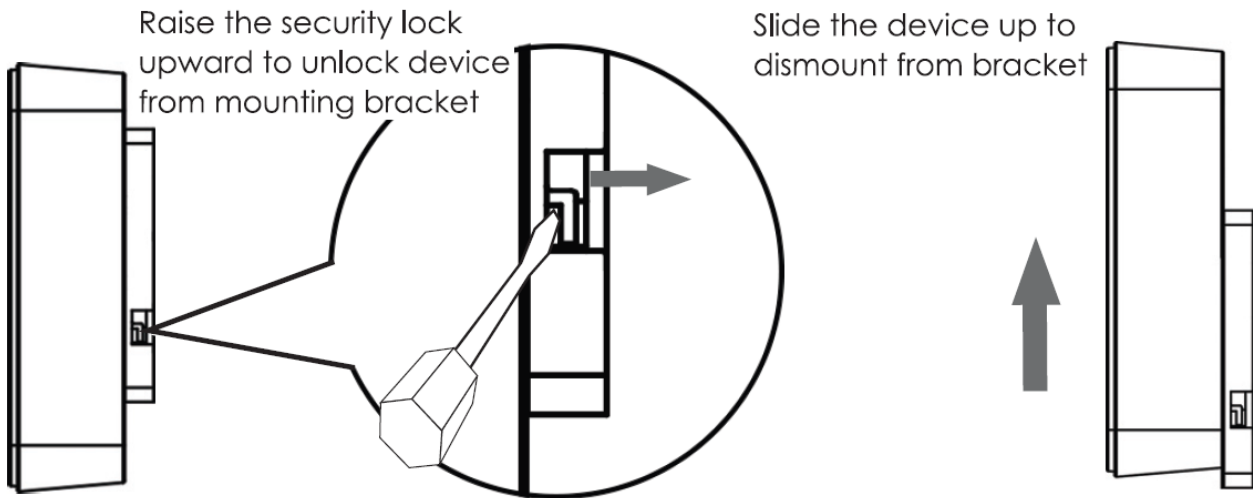


Ceiling Mount



1. Position the Mounting Bracket in the desired location. Use the screws and anchors in the mounting kit to secure the bracket into position.
2. Align the device with the mounting Hinges on the bracket. Ensure that the mounting clips fit correctly into each slot.
3. Slide the CW-300N down until the device is locked into place.

7. Uninstallation for Mounting kit

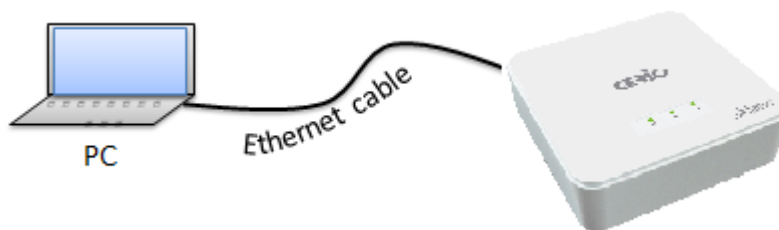


8. Software Configuration

Example of Segment: (Windows 7)

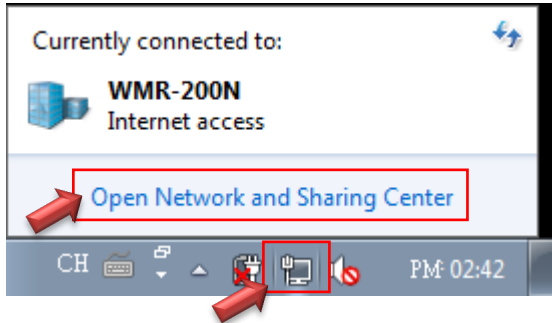
IP Segment Set-up for Administrator's PC/NB

Set the IP segment of the administrator's computer to be in the same range as CW-300N for accessing the system. Do not duplicate the IP Address used here with IP Address of CW-300N or any other device within the network.



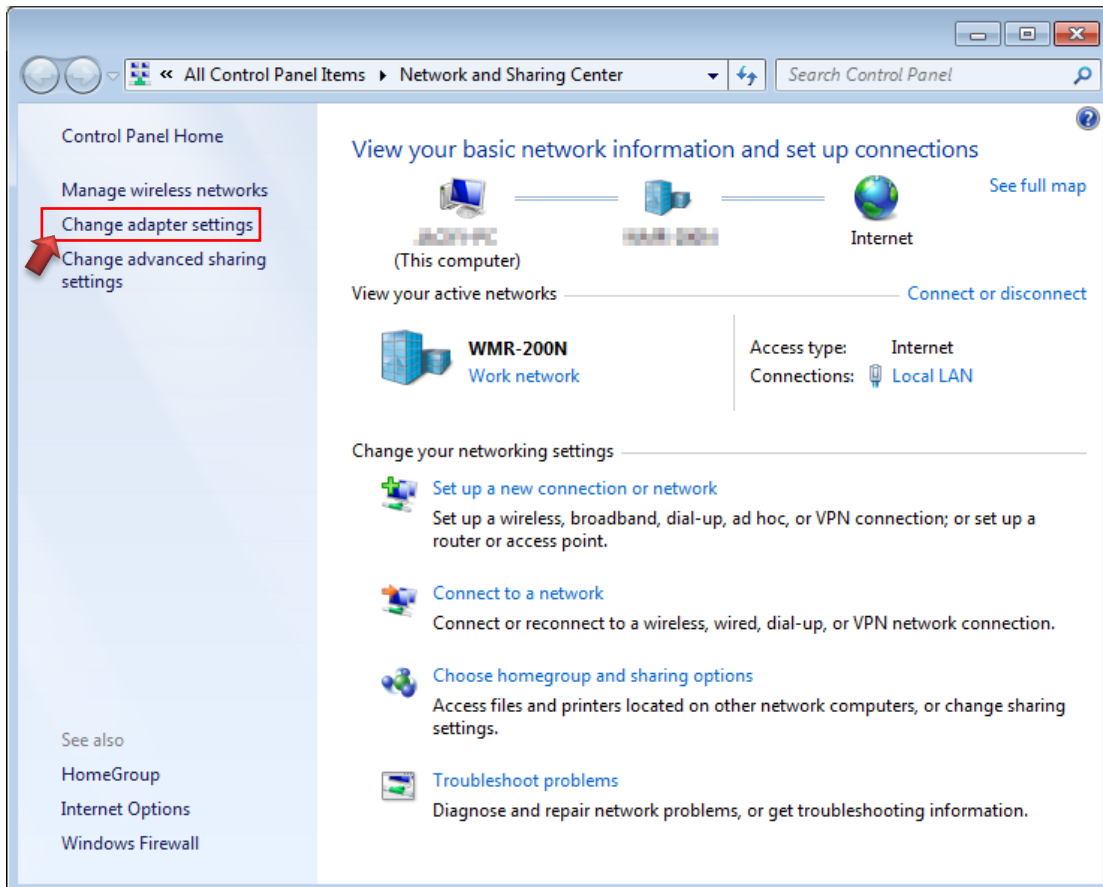
Step 1 :

Please click on the computer icon in the bottom right window, and click “Open Network and Sharing Center”



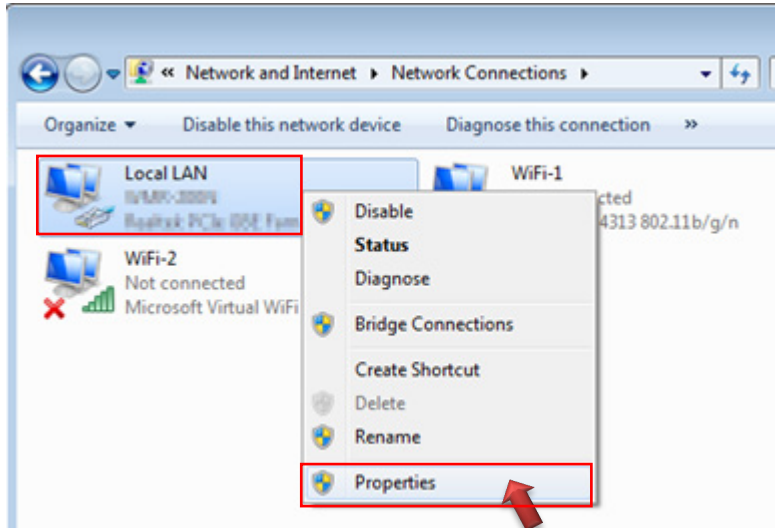
Step 2 :

In the Network and Sharing Center page, Please click on the left side of “Change adapter setting” button



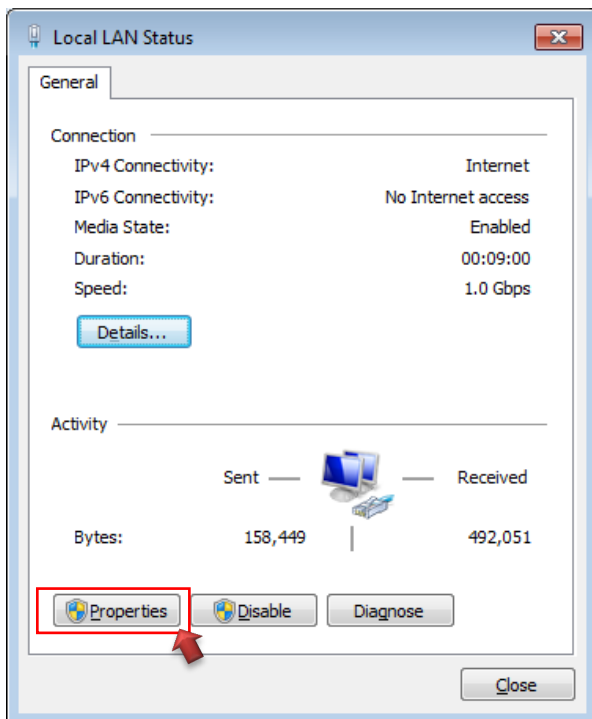
Step 3 :

In “Change adapter setting” Page. Please find Local LAN and Click the right button on the mouse and Click “Properties”



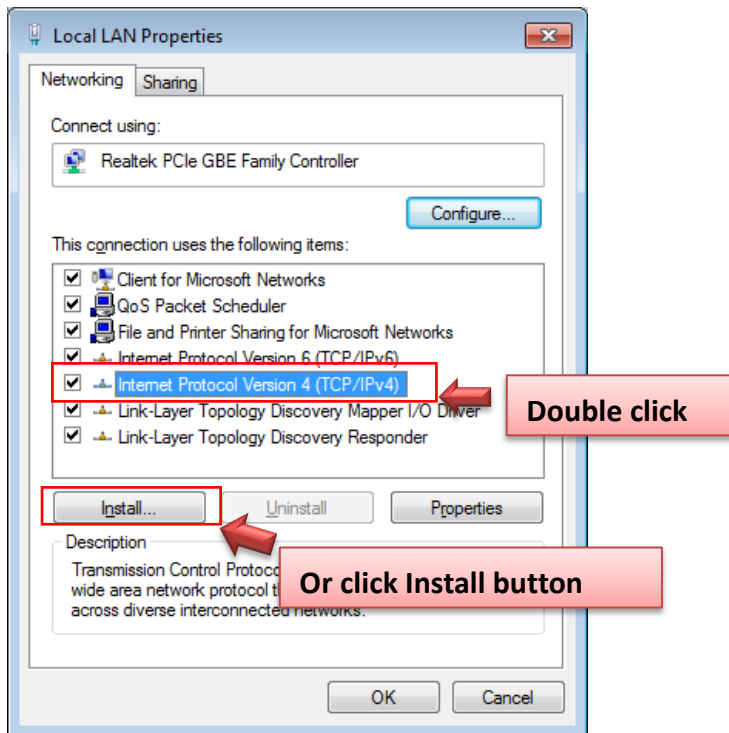
Step 4 :

In “Properties” page, please Click “Properties” button to TCP/IP setting



Step 5 :

In Properties page to setting IP address, please find “Internet Protocol Version 4 (TCP/IPv4)” and double click or click “Install” button.



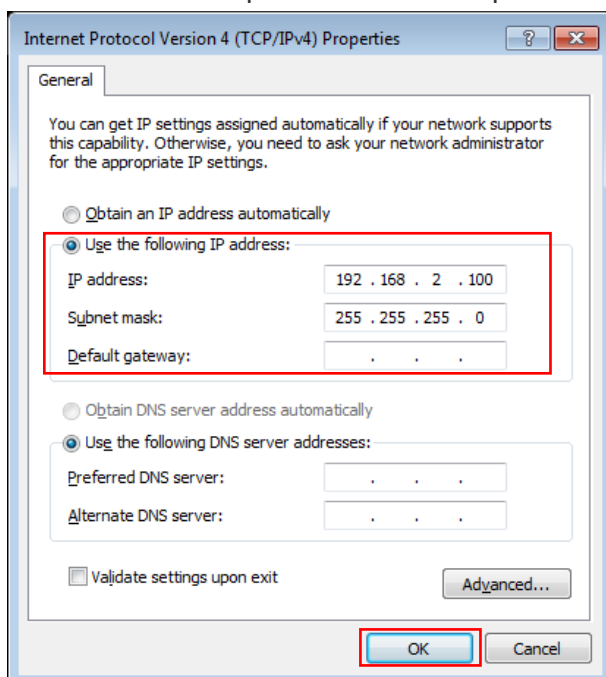
Step 6 :

Select “Use the following IP address”, and fix in IP Address : 192.168.2.#

ex. The # is any number by 1 to 253

Subnet mask : 255.255.255.0

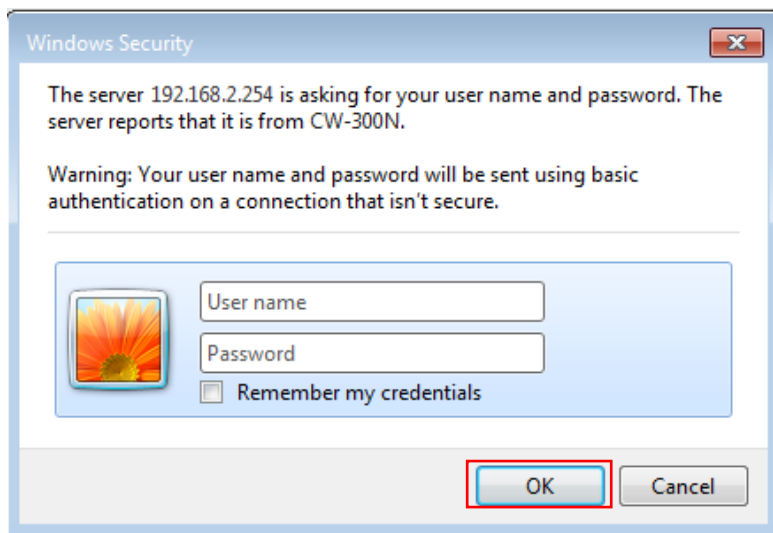
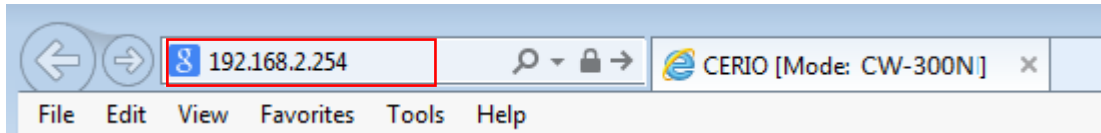
And Click "OK" to complete the fixed computer IP setting



Step 6 :

Open Web Browser

Launch as web browser to access the web management interface of system by entering the default IP Address, http://192.168.2.254, in the URL field, and then press Enter. Browser will pop up "login" page. Please key in username and password into the system on CW-300N.



The system manager Login Page then appears.

Enter “root” as User name and “default” as Password, and then click “OK” to login to the system.

Please consult the following information in accordance with your CenOS edition

CW-300N (CenOS3.0) Login information

Mode	AP / Client Bridge + Repeater AP mode	
Default IP Address	192.168.2.254	
Account	root	
Passwork	default	

CW-300N-NGS (CenOS4.0)

Mode	AAP / TAP / CAP mode	
Default IP Address	192.168.2.254	
Account	root	
Passwork	default	

When display “**Overview**” information (As shown in the diagram above) in browser. Representation administrator successfully entered the CW-300N(CenOS3.0) or CW-300N-NGS(CenOS4.0) interface.

The CW-300N(CenOS3.0) or CW-300N-NGS(CenOS4.0) detailed functions instruction, please refer to user’s manual.