

TD-Series TD-04AT

Multi Gigabit 4 Channel AT/Class2,3,4 PoE PD Test Loader(19"inch/1U Base)



User's Guide

Unpacking Information

Thank you for purchasing our TD-Series products. Before installation, please check that your package contains the following items.

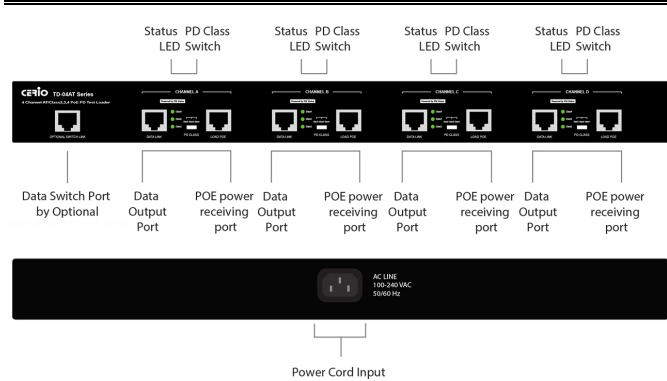
Open the shipping cartons of the switch and carefully unpack its contents. The carton should contain the following items:

1. TD-04AT Main Unit x 1
2. Power Cord x 1
3. Quick Installation Guide Booklet x 1
4. 19" Rack Mount Brackets x 1
5. Warranty Card x 1

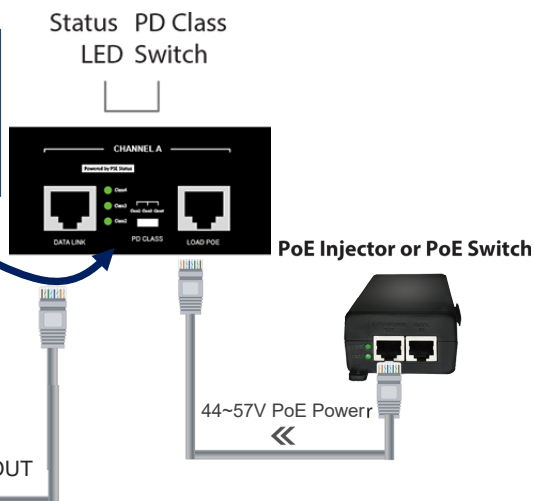
Product Application

- Provide load test verification of PSE power supply capability.
- Provide verification of PSE compatibility.
- Provide power detection capability for all cabling systems in the environment.
- Improve production efficiency and optimize production planning.

Hardware Overview



DIP SWITCH
 Class2: 7W(AF)
 Class3: 12.95W(AF)
 Class4: 25.5W(AT)



Installation

The setup of the Loader can be performed using the following steps:

- Visually inspect the AC jack and make sure that is fully secured to the power supply
- Make sure that there is proper heat dissipation from and adequate ventilation around the Loader. Do not place heavy objects on the Loader

Desktop Installation

1. Attach the Rubber feet provided with the loader to ensure minimal movement of the device
2. Keep the loader away from devices such as radios, broadband amplifiers, and other transmitters that might cause signal interferences
3. Distancing the device from moisture is also highly recommended

Product Specifications

Standards & Hardware Specifications

Network Standards	IEEE 802.3af Power over Ethernet (POE) IEEE 802.3at Power over Ethernet (POE+) 4 RJ45 Ethernet Pass Through Data Ports
Port Configuration	4 RJ45 PoE PD Ports 1 RJ45 Switch Port (By optional)
PoE Type	End-span (Type-A): PIN 1/2,3/6 Mid-span (Type-B): PIN 4/5,7/8
Data PIN	PIN 1/2,3/6 & 4/5,7/8
Power PIN	PIN 1/2,3/6 or 4/5,7/8 (Power + Data Pin)
DIP Switch	All 4 test channels support DIP Switch, switchable PD Class (Class2, Class3, Class4) three levels
Fan Design	Ultra-Quiet Dual Fan Cooling Design
LED	Class2/AF (7W) Output : Status x4 sets Class3/AF (12.95W) Output: Status x4sets Class4/AT (25.5W) Output : Status x4sets

Environmental & Mechanical Characteristics

PSE Test Type	Active POE IEEE 802.3 af Active POE IEEE 802.3 at Passive PoE
PSE Input Voltage	44~57V
POE Output	7 +/- 1W 12 +/- 1W 25 +/- 1W
Single Signature PD / Max.Power	Class 2 : 7W Class 3 : 12.95W Class 4 : 25.5W
Operating Temperature	0° to 40° C
Storage Temperature	-40° to 70° C
Operating Humidity	10% to 90% non-condensing
Storage Humidity	10% to 90% non-condensing
Dimension (W x D x H)	441 x 281 x 44 mm
Weight (kg)	3.63kg
Production Location	TW

Package Contents

TD-04AT Main Unit	x1
Quick Installation Guide Booklet	x1
Power Cord	x1
19" Rack Mount Brackets	x1
Warranty Card	x1

TD-Series TD-04AT-S

Multi Gigabit 4 Switch AT/Class2,3,4 PoE PD Test Loader(19"inch/1U Base)



User's Guide

Unpacking Information

Thank you for purchasing our TD-Series products. Before installation, please check that your package contains the following items.

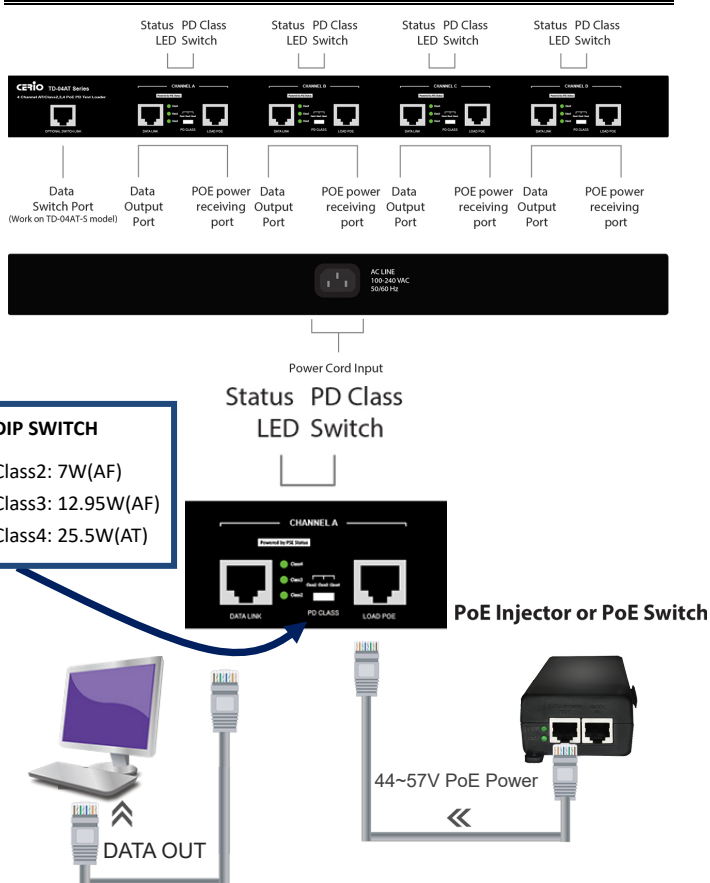
Open the shipping cartons of the switch and carefully unpack its contents. The carton should contain the following items:

1. TD-04AT-S Main Unit x 1
2. Power Cord x 1
3. Quick Installation Guide Booklet x 1
4. 19" Rack Mount Brackets x 1
5. Warranty Card x 1

Product Application

- Provide load test verification of PSE power supply capability.
- Provide verification of PSE compatibility.
- Provide power detection capability for all cabling systems in the environment.
- Improve production efficiency and optimize production planning.

Hardware Overview



Installation

The setup of the Loader can be performed using the following steps:

- Visually inspect the AC jack and make sure that is fully secured to the power supply
- Make sure that there is proper heat dissipation from and adequate ventilation around the Loader. Do not place heavy objects on the Loader

Desktop Installation

4. Attach the Rubber feet provided with the loader to ensure minimal movement of the device
5. Keep the loader away from devices such as radios, broadband amplifiers, and other transmitters that might cause signal interferences
6. Distancing the device from moisture is also highly recommended

Product Specifications

Standards & Hardware Specifications

Network Standards	IEEE 802.3 10Base-T IEEE 802.3u 100Base-TX IEEE 802.3ab 1000Base-T IEEE 802.3bz 2500Base-T IEEE 802.1x Flow Control IEEE 802.3af Power over Ethernet (POE) IEEE 802.3at Power over Ethernet (POE+)
Network Media	10BASE -T: UTP Cat. 3 or up, 100BASE-TX: UTP Cat. 5 or up, 1000BASE-T: UTP Cat. 5 or up 2500BASE-T: UTP Cat. 5e or up 10/100/1000/2500Mbps 10/100/1000/2500Mbps (Half-duplex), 20/200/2000/5000Mbps (Full-duplex)
Data Transfer Rate	Yes
Auto MDI/MDIX	End-span (Type-A): PIN 1/2,3/6 Mid-span (Type-B): PIN 4/5,7/8
PoE Type	PIN 1/2,3/6 & 4/5,7/8
Data PIN	PIN 1/2,3/6 or 4/5,7/8 (Power + Data Pin)
Power PIN	4 RJ45 10/100/1000/2500Mbps ETH Data Ports 4 RJ45 PoE PD Ports 1 RJ45 Switch Port
Port Configuration	All 4 test channels support DIP Switch, switchable PD Class (Class2, Class3, Class4) three levels
DIP Switch	Ultra-Quiet Dual Fan Cooling Design
Fan Design	Class2/AF (7W) Output : Status x4 sets Class3/AF (12.95W) Output: Status x4sets Class4/AT (25.5W) Output : Status x4sets
LED	

Environmental & Mechanical Characteristics

PSE Test Type	Active POE IEEE 802.3 af Active POE IEEE 802.3 at Passive POE
PSE Input Voltage	44~57V
PSE Output	7 +/- 1W 12 +/- 1W 25 +/- 1W
Single Signature PD / Max.Power	Class 2 : 7W Class 3 : 12.95W Class 4 : 25.5W
Temperature Operating Temperature	0° to 40° C
Storage Temperature	-40° to 70° C
Operating Humidity	10% to 90% non-condensing
Storage Humidity	10% to 90% non-condensing
Dimension (W x D x H)	441 x 281 x 44 mm
Weight (kg)	3.72kg
Production Location	TW

Package Contents

TD-04AT-S Main Unit	x1
Quick Installation Guide Booklet	x1
Power Cord	x1
19" Rack Mount Brackets	x1
Warranty Card	x1