

OW-500 A1 / OW-500 A3

eXtreme Power Wave2 4X 2x2 Tri-Band Outdoor Bridge / Access Point

V4.0

Quick Installation Guide

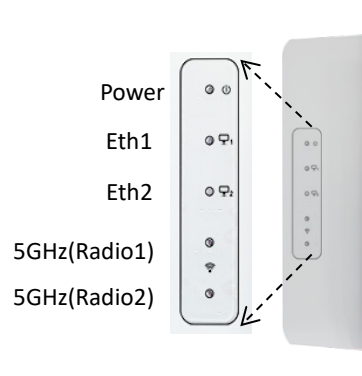


OW-500 A1



OW-500 A3

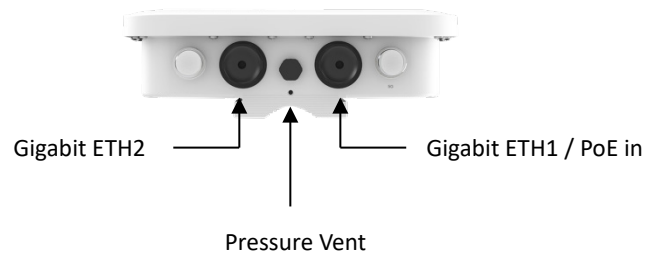
Product LED Description



- 1. Power(Green) :**
PoE on and system ready
- 2. Eth1(Green) :**
Eth1 link connection
- 3. Eth2(Green) :**
Eth2 link connection
- 4. Radio-1 5GHz(Flashing) :**
Radio-1 5GHz radio is enabled
- 5. Radio-2 5GHz(Flashing) :**
Radio-2 5GHz radio is enabled

***Note: Radio-0 2.4Ghz does not display the LED signal function**

Hardware Overview



Products Description

CERIO's OW-500 A1 built in 5dBi 2.4G(Radio-0) Omnidirectional and external for 5G (Radio-1) 2N-Type connector and built in 18dBi 5G(Radio-2) Directional Antenna design.

CERIO's OW-500 A3 built in 5dBi 2.4G(Radio-0) Omnidirectional and external for 5G (Radio1) and 5G (Radio2) 2N-Type connector design.

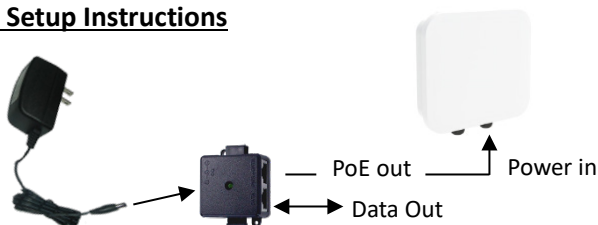
Package Contents

Before you start to install this device, please verify your package that contains the following items:

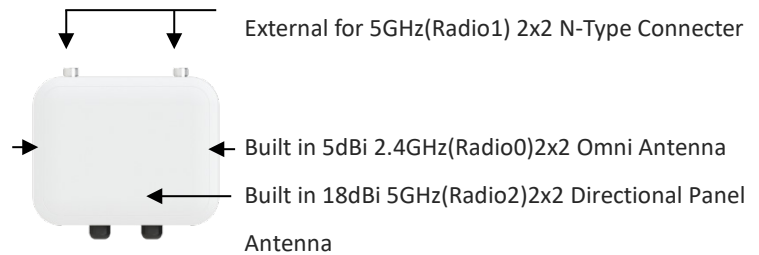
Package Contents	OW-500 A1	OW-500 A3
Main Unit	x1	x1
PoE Power supply Kit	x1	x1
Quick Installation Guide	x1	x1
Warranty Card	x1	x1
Wall/Pole Mounting Bracket Set	x1	x1
Adjustable Mounting Bracket Set	x1	x1

Note: If any of these items is found missing or damaged, please contact your local supplier for replacement.

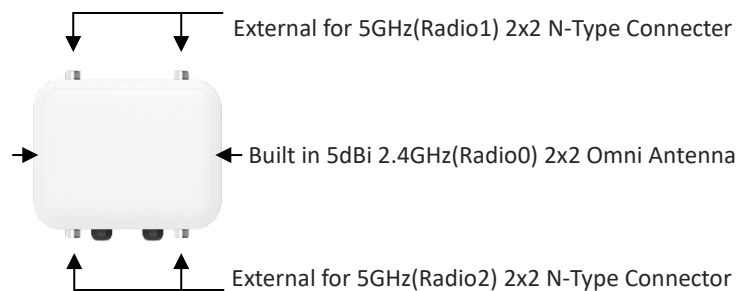
PoE Setup Instructions



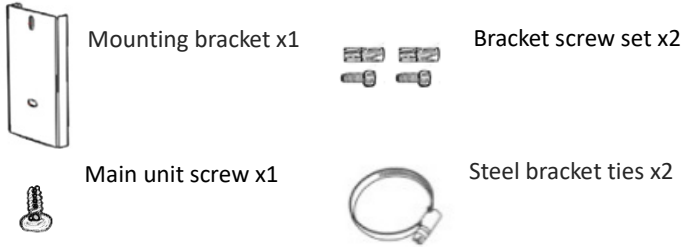
OW-500 A1 Overview



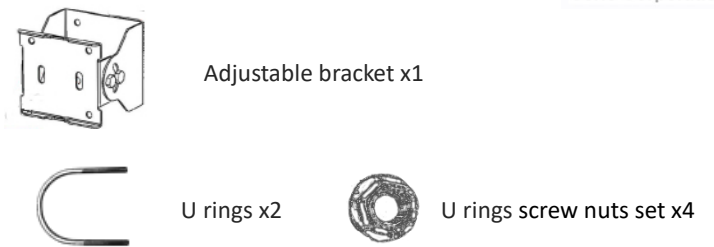
OW-500 A3 Overview



Wall/Pole Mounting Bracket Set



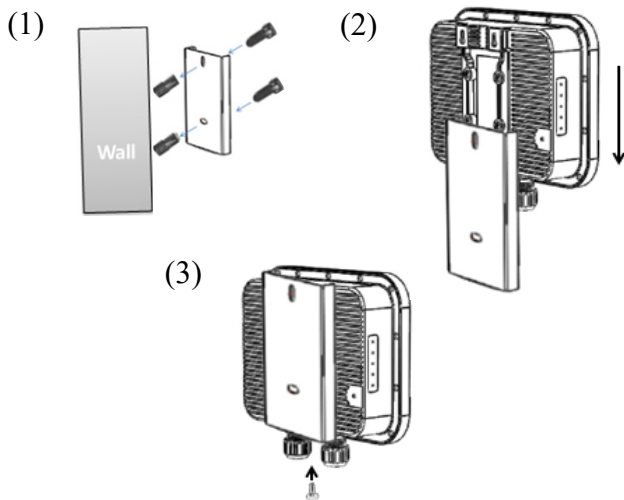
Adjustable Mounting Bracket Set



Mounting Instructions

Instructions: Position the mounting bracket in the desired location. Slide the device down until it is parallel to the bottom. Then locked with a main unit screw.

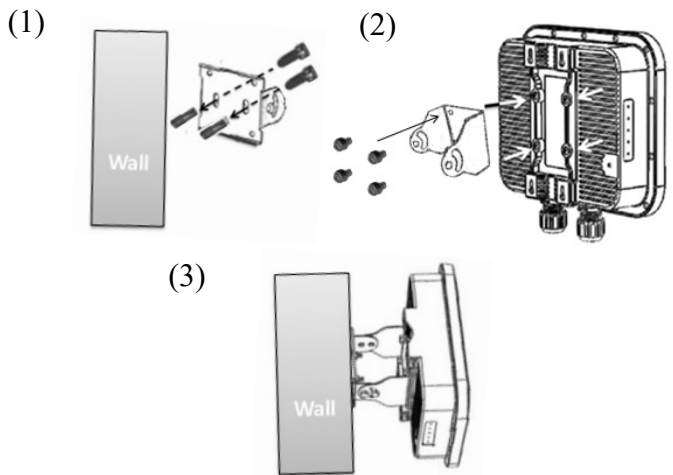
Wall Mounting Setup



Adjustable Mounting Instructions

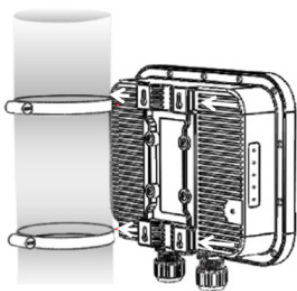
Instructions: Position the mounting bracket in the desired location. Use the screws to secure the bracket into the position. Use the adjustable bracket to mount the device on the wall.

Adjustable Wall Mounting Setup



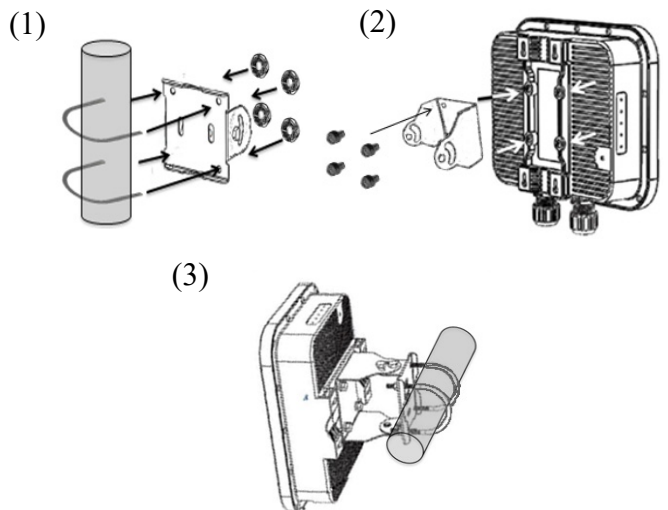
Pole Mounting Setup

Instructions: Use the provided steel bracket ties to pole mount device. Use a flathead screwdriver to tightly secure the device in place.



Adjustable Pole Mounting Setup

Instructions: Use the provided U rings to tightly secure on the pole. Use the adjustable bracket to pole mount the device.

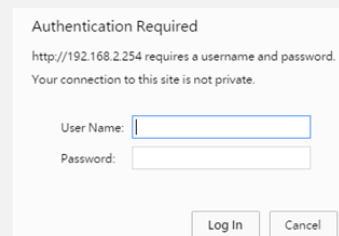


GUI Setting Instructions

Product default IP address : **192.168.2.254**

Product default Account : **root** / Password : **default**

Set the IP segment of the administrator's computer to be in the same range as this device for accessing the system. E.g. 192.168.2.100, after open your Browser enter IP address <http://192.168.2.254> in the URL field Enter GUI management interface. Login message will appear when you successfully enter the management interface.



Please use default Users name: **“root”** and default password **“default”** to login.
If you have advanced setting and more question please refer to our user manual.