

# OW-408 A1

eXtreme Power Wave2 4X 11N/ac 2.4/5GHz 2x2  
Outdoor Access Point

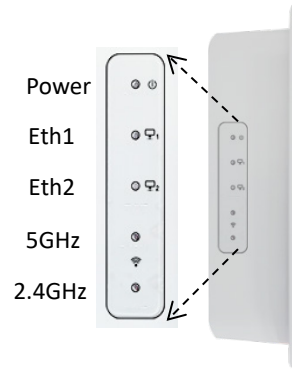
V4.0

## Quick Installation Guide



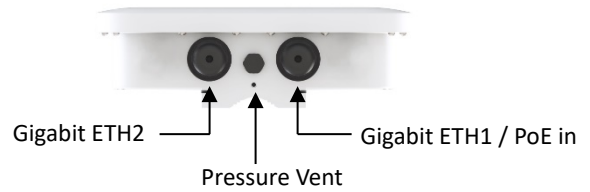
### Hardware Overview

#### LED Description



- 1. Power(Green) :**  
PoE on and system ready
- 2. Eth1(Green) :**  
Eth1 link connection
- 3. Eth2(Green) :**  
Eth2 link connection
- 4. 5GHz(Flashing) :**  
5GHz radio is enabled
- 5. 2.4GHz(Flashing) :**  
2.4GHz radio is enabled

#### Panel Overview



### Products Description

CERIO's OW-408 A1 eXtreme Power Wave2 11N/ac 2.4/5GHz 2x2 Outdoor Access Point built in 8dBi (2.4GHz / 5GHz) Wide Coverage Directional Antenna.

### Package Contents

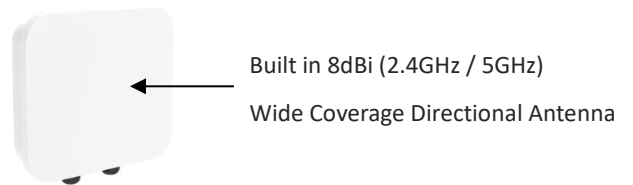
Before you start to install this device, please verify your package that contains the following items:

#### Package Contents

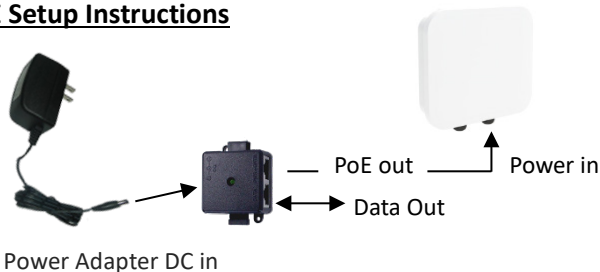
Main Unit	x1
PoE Power supply Kit	x1
Warranty Card	x1
Wall/Pole Mounting Bracket Set	x1
Adjustable Mounting Bracket Set	Optional

Note: If any of these items is found missing or damaged, please contact your local supplier for replacement.

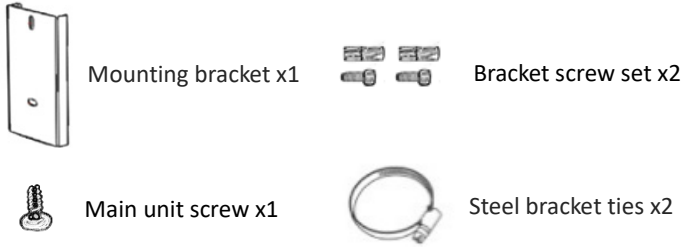
### OW-408 A1 Overview



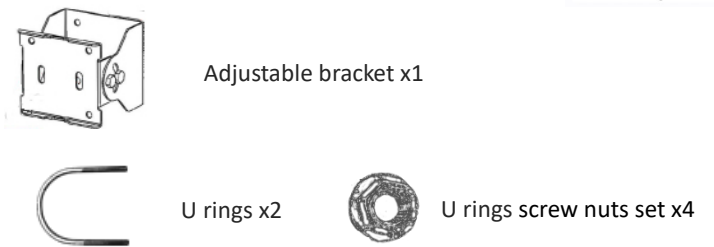
### PoE Setup Instructions



## Wall/Pole Mounting Bracket Set



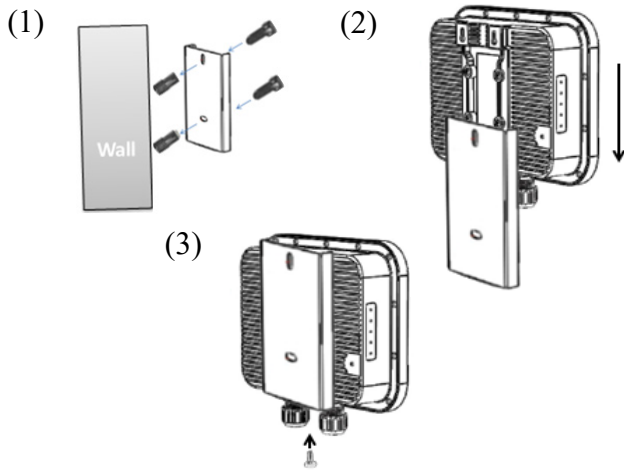
## Adjustable Mounting Bracket Set



### Mounting Instructions

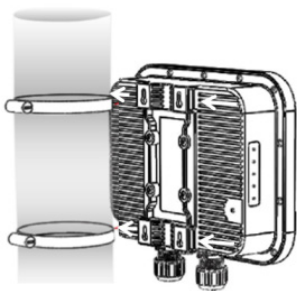
*Instructions:* Position the mounting bracket in the desired location. Slide the device down until it is parallel to the bottom. Then locked with a main unit screw.

### Wall Mounting Setup



### Pole Mounting Setup

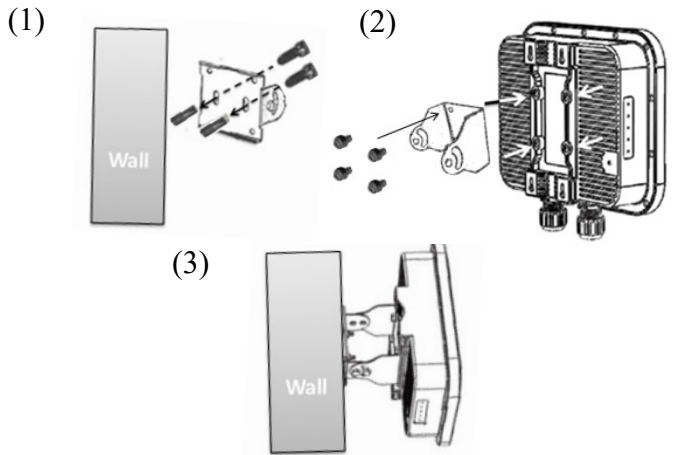
*Instructions:* Use the provided steel bracket ties to pole mount device. Use a flathead screwdriver to tightly secure the device in place.



### Adjustable Mounting Instructions

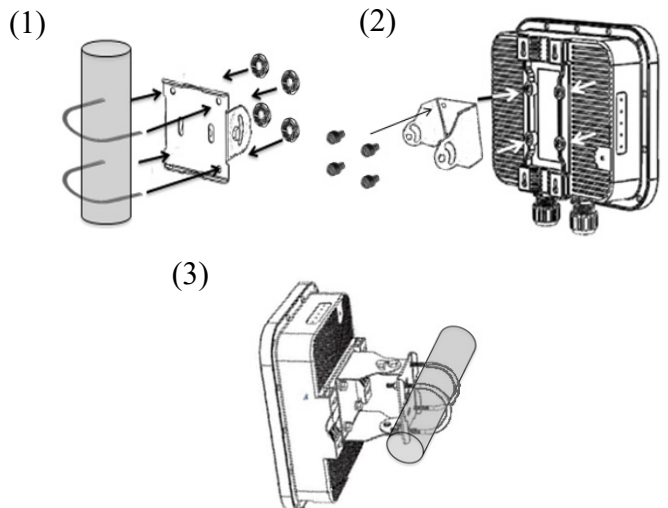
*Instructions:* Position the mounting bracket in the desired location. Use the screws to secure the bracket into the position. Use the adjustable bracket to mount the device on the wall.

### Adjustable Wall Mounting Setup



### Adjustable Pole Mounting Setup

*Instructions:* Use the provided U rings to tightly secure on the pole. Use the adjustable bracket to pole mount the device.



## GUI Setting Instructions

Product default IP address : **192.168.2.254**

Product default Account : **root** / Password : **default**

Set the IP segment of the administrator's computer to be in the same range as this device for accessing the system. E.g. 192.168.2.100, after open your Browser enter IP address <http://192.168.2.254> in the URL field Enter GUI management interface. Login message will appear when you successfully enter the management interface.

### System Login

Sign in  
<http://192.168.2.254>  
Your connection to this site is not private

Username

Password

Please use default Users name: **"root"** and default password **"default"** to login.

If you have advanced setting and more question please refer to our user manual.