

OW-400 4N00-MESH

eXtreme High Power WiFi6 Dual-Radio
MAN-MESH Outdoor PoE Bridge/AP

Quick Installation Guide



GUI Setting Instructions

Product default IP address : 192.168.2.254

Product default Account : **root** / Password : **default**

Set the IP segment of the administrator's computer to be in the same range as this device for accessing the system. E.g. 192.168.2.100, after open your Browser enter IP address http://192.168.2.254 in the URL field Enter GUI management interface. Login message will appear when you successfully enter the management interface.

<p>System Login</p> <p>Sign in http://192.168.2.254 Your connection to this site is not private</p> <p>Username: <input type="text" value="root"/></p> <p>Password: <input type="password" value="default"/></p> <p><input type="button" value="Sign in"/> <input type="button" value="Cancel"/></p>	<p>Please use default Users name: "root" and default password "default" to login.</p> <p>If you have advanced setting and more question please refer to our user manual</p>
---	---

Products Description

OW-400 4N00-MESH:

2N-Type external connectors for 2.4G and 2N-Type external connectors for 5G design.

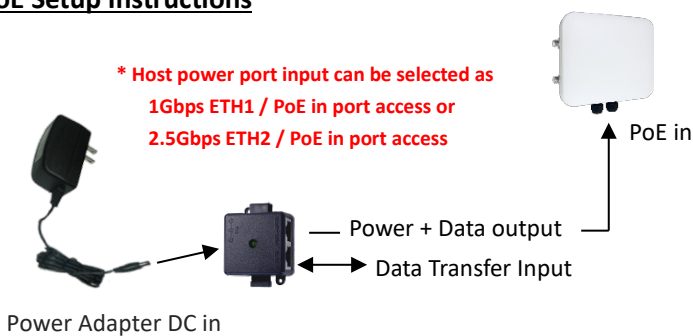
Package Contents

Before you start to install this device, please verify your package that contains the following items:

Package Contents	QTY
Main Unit	x1
PoE Power supply Kit	x1
Quick Installation Guide	x1
Warranty Card	x1
Adjustable Mounting Bracket Set	x1

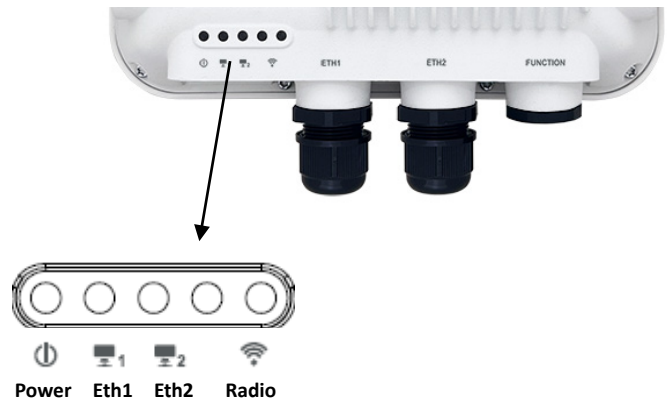
Note: If any of these items is found missing or damaged, please contact your local supplier for replacement.

PoE Setup Instructions



Product Overview

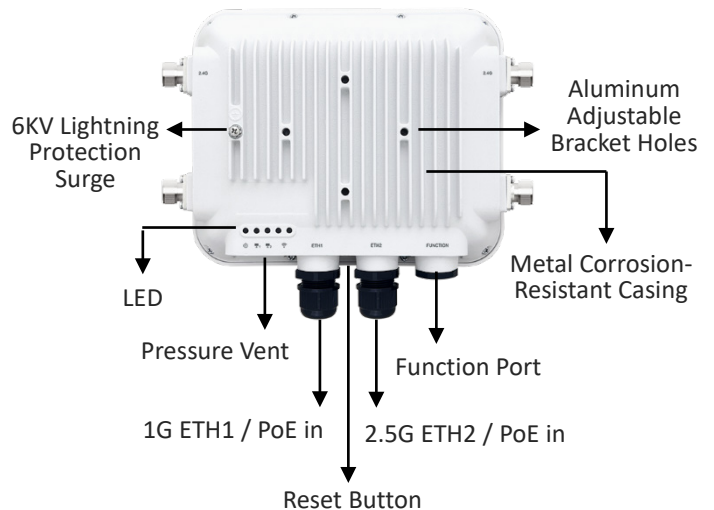
Product LED Description



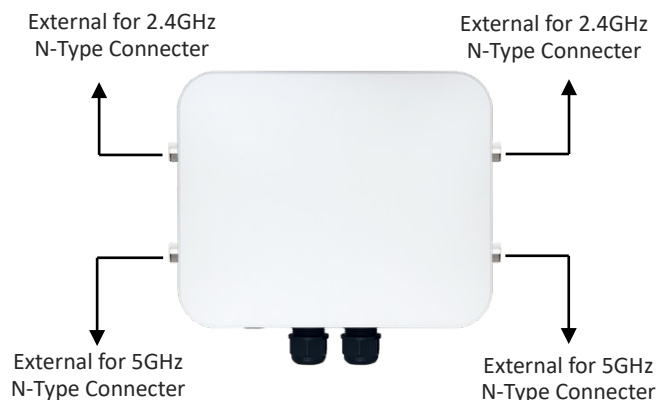
- 1. Power** : PoE on and system ready °
- 2. Eth1** : Eth1 link connection ° (1Gbps Ethernet Speed Port)
- 3. Eth2** : Eth2 link connection ° (2.5Gbps Ethernet Speed Port)
- 4. Radio 2.4GHz** : 2.4GHz radio is enabled °
- 5. Radio 5GHz** : 5GHz radio is enabled °

*Two RJ45 waterproof connectors are included in the accessory box. When installing, please make sure to tighten them securely to achieve the waterproof.

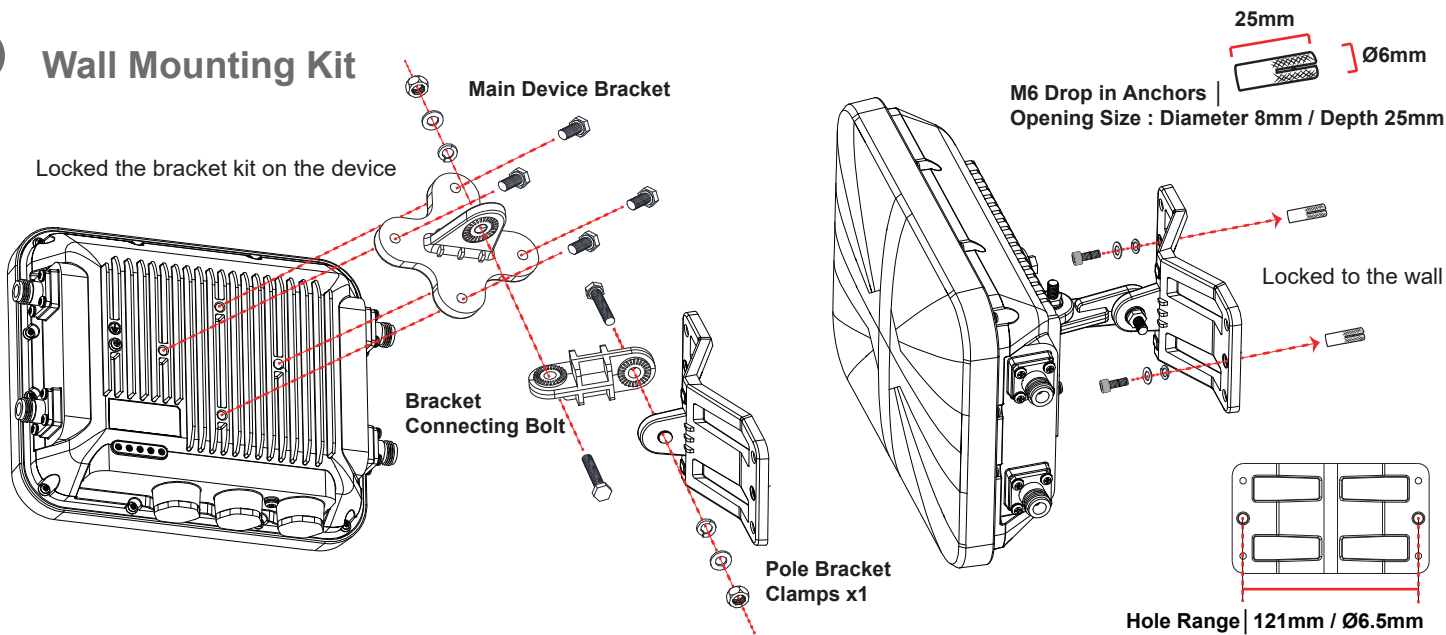
Hardware Overview



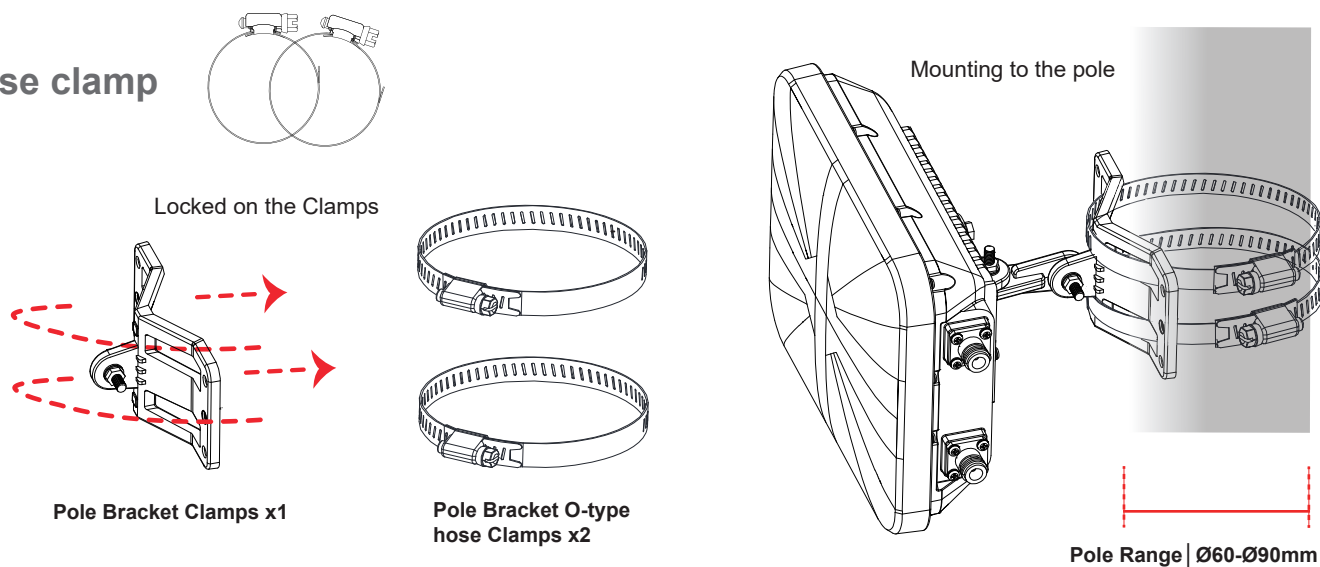
OW-400 4N00-MESH Antenna Overview



1 Wall Mounting Kit



2 Hose clamp



3 Pole Bracket

