

OW-400 A3

eXtreme Power Wave2 4X 11N/ac 2.4/5Ghz 2x2
External-ANT Outdoor Access Point

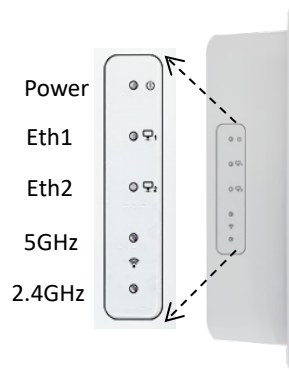
V4.0

Quick Installation Guide



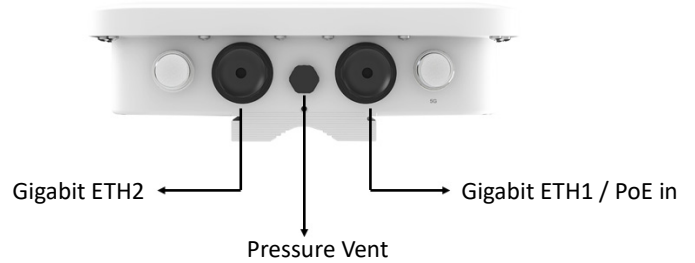
Hardware Overview

LED Description



- 1. Power(Green) :**
PoE on and system ready
- 2. Eth1(Green) :**
Eth1 link connection
- 3. Eth2(Green) :**
Eth2 link connection
- 4. 5GHz(Flashing) :**
5GHz radio is enabled
- 5. 2.4GHz(Flashing) :**
2.4GHz radio is enabled

Panel Overview



Products Description

CERIO's OW-400 A3 eXtreme Power Wave2 11N/ac 2.4/5Ghz 2x2 Outdoor Bridge/AP, use external for 2.4GHz / 5GHz 2x2 N-Type connector design.

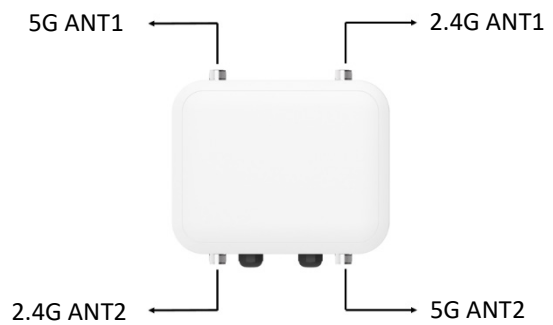
Package Contents

Before you start to install this device, please verify your package that contains the following items:

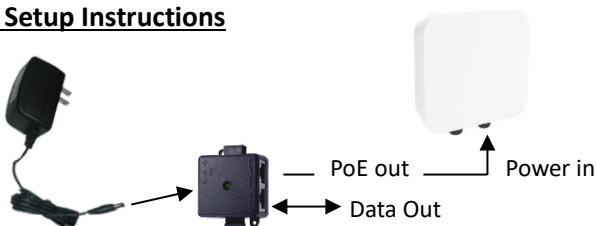
Package Contents	OW-400 A3
Main Unit	x1
PoE Power Supply Kit	x1
Warranty Card	x1
Wall/Pole Mounting Bracket Set	x1
Adjustable Mounting Bracket Set	x1

Note: If any of these items is found missing or damaged, please contact your local supplier for replacement.

OW-400 A3 N-Type External Antenna Connector Overview

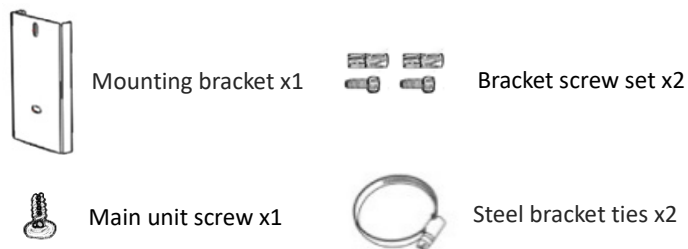


PoE Setup Instructions

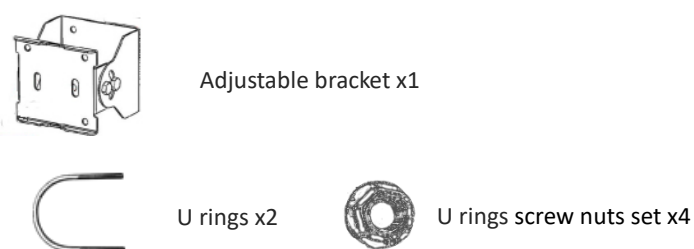


Power Adapter DC in

Wall/Pole Mounting Bracket Set



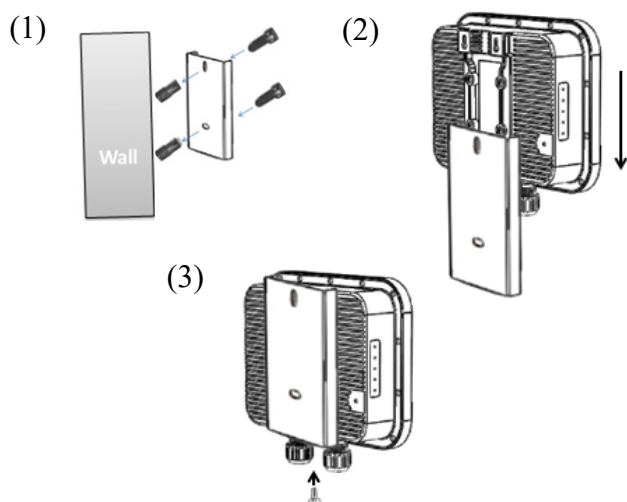
Adjustable Mounting Bracket Set



Mounting Instructions

Instructions: Position the mounting bracket in the desired location. Slide the device down until it is parallel to the bottom. Then locked with a main unit screw.

Wall Mounting Setup



Pole Mounting Setup

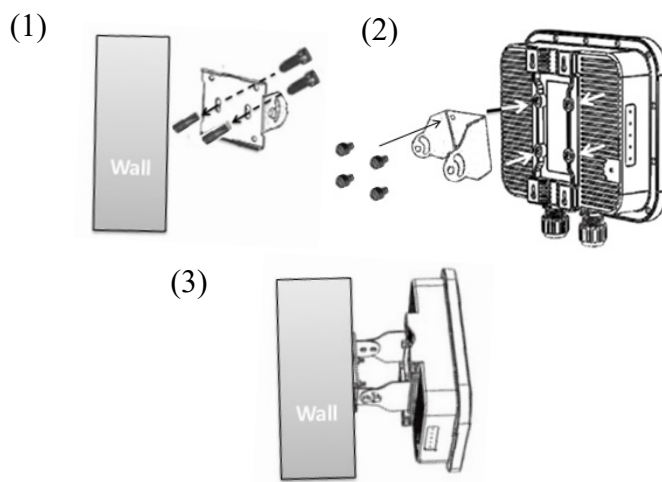
Instructions: Use the provided steel bracket ties to pole mount device. Use a flathead screwdriver to tightly secure the device in place.



Adjustable Mounting Instructions

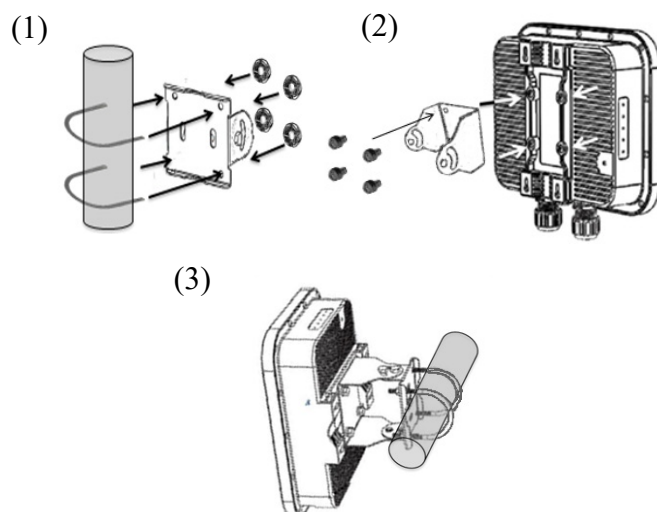
Instructions: Position the mounting bracket in the desired location. Use the screws to secure the bracket into the position. Use the adjustable bracket to mount the device on the wall.

Adjustable Wall Mounting Setup



Adjustable Pole Mounting Setup

Instructions: Use the provided U rings to tightly secure on the pole. Use the adjustable bracket to pole mount the device.



GUI Setting Instructions

Product default IP address : **192.168.2.254**

Product default Account : **root** / Password : **default**

Set the IP segment of the administrator's computer to be in the same range as this device for accessing the system. E.g. 192.168.2.100, after open your Browser enter IP address <http://192.168.2.254> in the URL field Enter GUI management interface. Login message will appear when you successfully enter the management interface.

System Login

Sign in
<http://192.168.2.254>
Your connection to this site is not private

Username:

Password:

Please use default Users name: **“root”** and default password **“default”** to login.

If you have advanced setting and more question please refer to our user manual.