

# OW-200 A1

## eXtreme Power Wave2 11N/ac 5GHz 2x2 Outdoor Bridge / Access Point

V2.0

### Quick Installation Guide



#### Products Description

CERIO's OW-200 A1 eXtreme Power Wave2 11N/ac 5GHz 2x2 Outdoor Bridge/AP + 2 N-Type 5Ghz connector design.

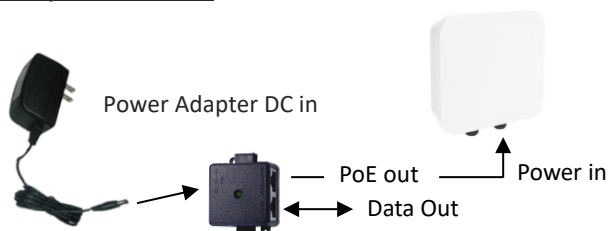
#### Package Contents

Before you start to install this device, please verify your package that contains the following items:

Package Contents	OW-200 A1
Main Unit	x1
PoE Power supply Kit	x1
Quick Installation Guide	x1
RJ-45 Function kit	x1
Warranty Card	x1
Wall/Pole Mounting Bracket Set	x1
Adjustable Mounting Bracket Set	Optional

Note: If any of these items is found missing or damaged, please contact your local supplier for replacement.

#### PoE Setup Instructions

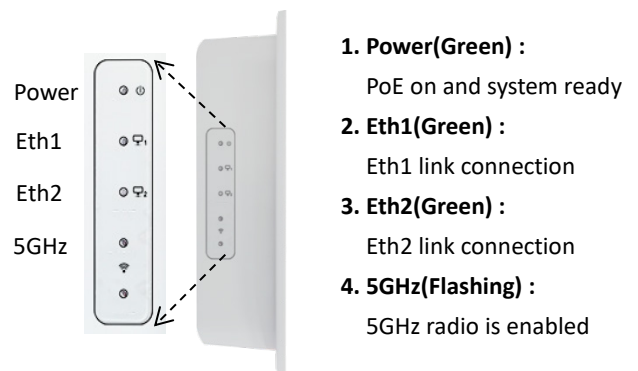


#### Introduction

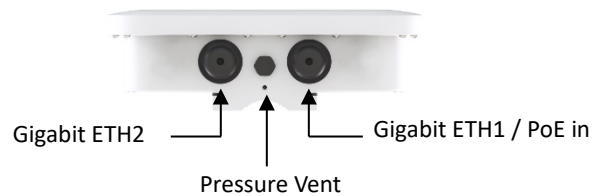
CERIO's eXtreme Power Wave2 11N/ac 5GHz 2x2 Outdoor Bridge/AP are rugged IP68 devices made to withstand harsh environment deployment. It supports a maximum throughput of 867Mbps on the 5GHz frequency band. These 5GHz 11ac devices are idea for long distance point-to-point connections and provides the subscriber with an Ethernet connection for a local access to extend the range and increase the performance of a wireless network. It also supports PoE design, allowing power and data to be supplied to the unit using CAT5 Ethernet cable. This reduces device cabling and allows for more convenient deployment.

#### Hardware Overview

##### LED Description

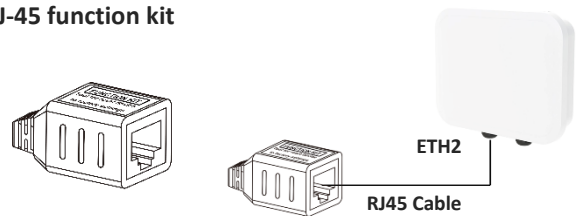


##### Panel Overview



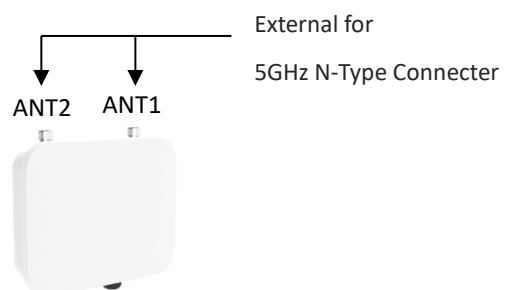
\*ETH2: You can use RJ-45 function kit to reset to default.

##### RJ-45 function kit

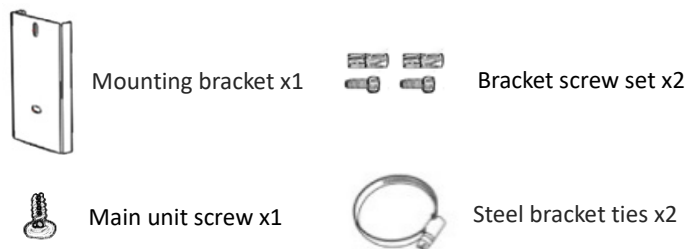


Use RJ-45 cable connection ETH2 port to function kit about 5 sec then remove RJ-45 function kit the software will reset to default.

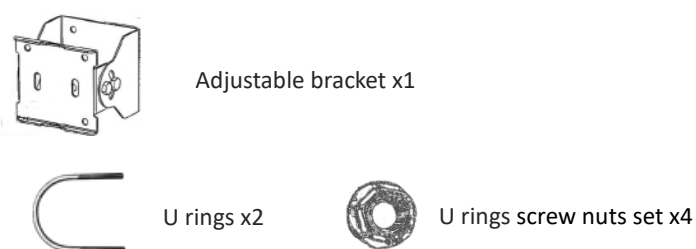
##### OW-200 A1 Antenna Overview



## Wall/Pole Mounting Bracket Set



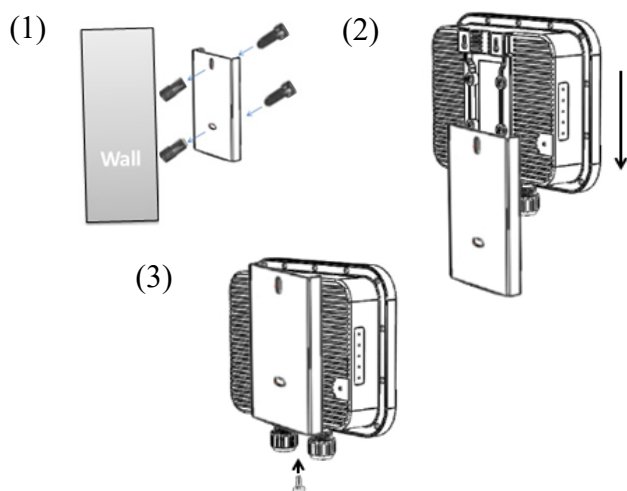
## Adjustable Mounting Bracket Set



### Mounting Instructions

*Instructions:* Position the mounting bracket in the desired location. Slide the device down until it is parallel to the bottom. Then locked with a main unit screw.

### Wall Mounting Setup



### Pole Mounting Setup

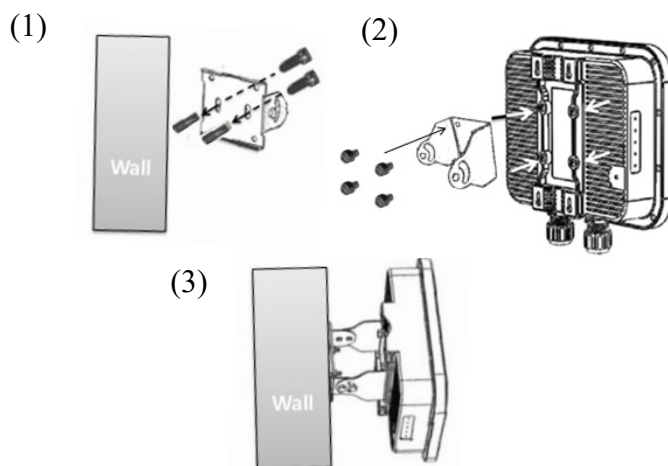
*Instructions:* Use the provided steel bracket ties to pole mount device. Use a flathead screwdriver to tightly secure the device in place.



### Adjustable Mounting Instructions

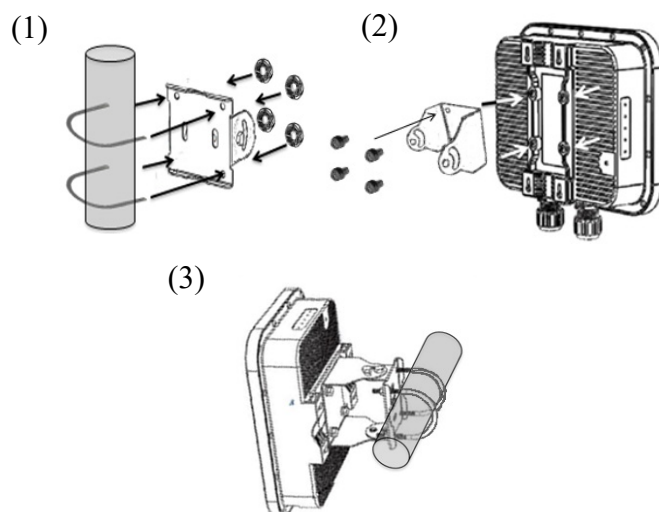
*Instructions:* Position the mounting bracket in the desired location. Use the screws to secure the bracket into the position. Use the adjustable bracket to mount the device on the wall.

### Adjustable Wall Mounting Setup



### Adjustable Pole Mounting Setup

*Instructions:* Use the provided U rings to tightly secure on the pole. Use the adjustable bracket to pole mount the device.



## GUI Setting Instructions

Product default IP address : **192.168.2.254**

Product default Account : **root** / Password : **default**

Set the IP segment of the administrator's computer to be in the same range as this device for accessing the system. E.g. 192.168.2.100, after open your Browser enter IP address <http://192.168.2.254> in the URL field Enter GUI management interface. Login message will appear when you successfully enter the management interface.

### System Login

Sign in  
<http://192.168.2.254>  
Your connection to this site is not private

Username:

Password:

Please use default Users name: **“root”** and default password **“default”** to login.

If you have advanced setting and more question please refer to our user manual.