

CERIO Corporation

ANT-19FN-P

2.4GHz Outdoor Directional Panel 19dBi

Pole Mount Antenna

Installation Guide

Specifications

Antenna Type	Outdoor Directional Panel Antenna
Frequency Range	2.4 ~ 2.5GHz
Network Specification	Wireless 2.4GHz Network IEEE 802.11n , IEEE 802.11b/g
Gain	19dBi
V.S.W.R	≤ 1.5
Beam Width-H Plane	18°
Beam Width-E Plane	18°
Polarization	Vertical (Linear)
Input Impedance	50 Ohms
Connector	N-Type Female
Form Factor	Pole Mount (U-Clamps)
Adjustable range	0-30° adjustable wall mount design
Operation Temperature	-50°C - + 85°C
Storage Temperature	-50°C - + 85°C
Humidity	5~90% maximum (non-condensing)
Dimension	373 * 373 *15 mm (L x W x H)
Weight	1.09kg

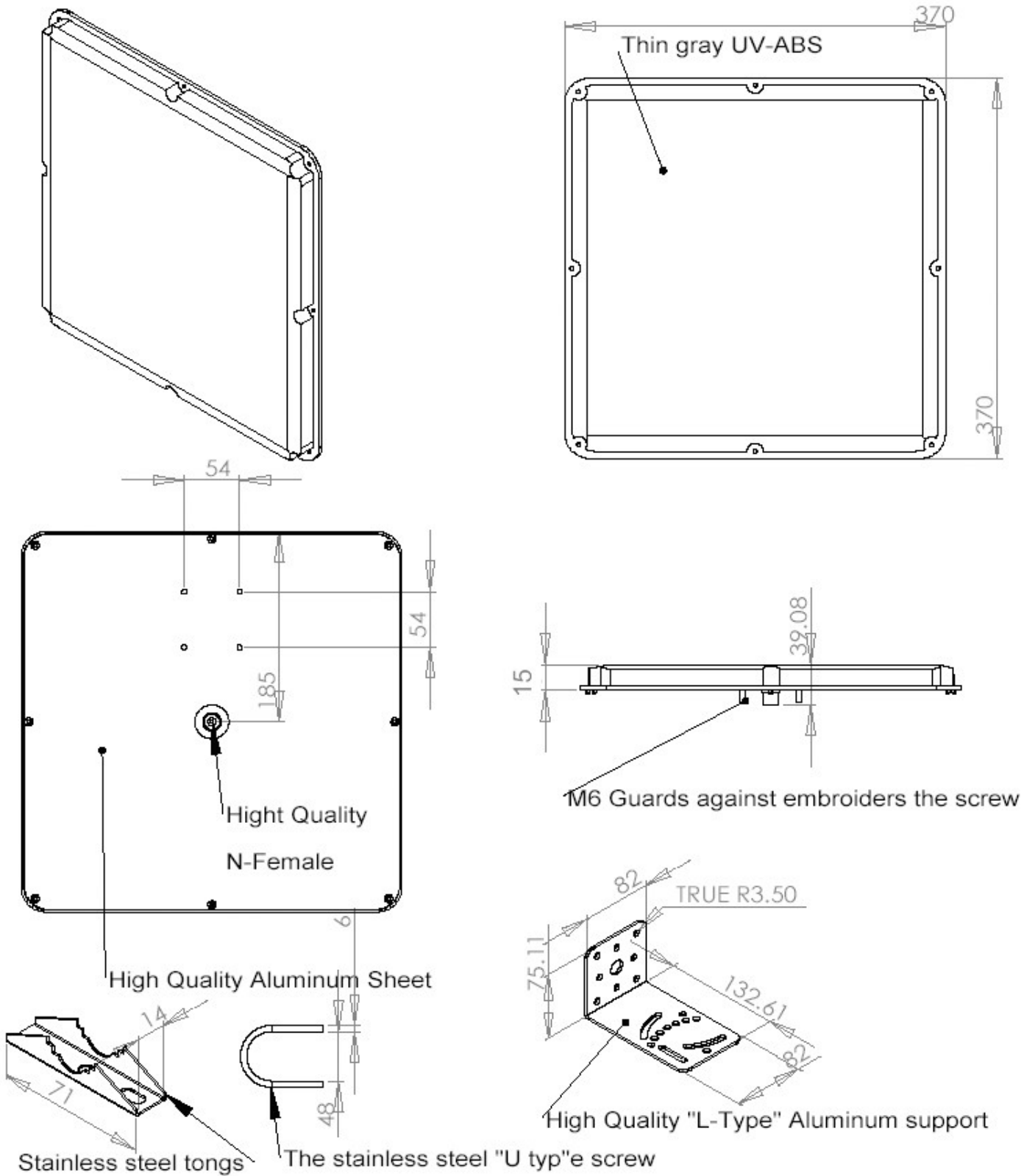
Technical Support

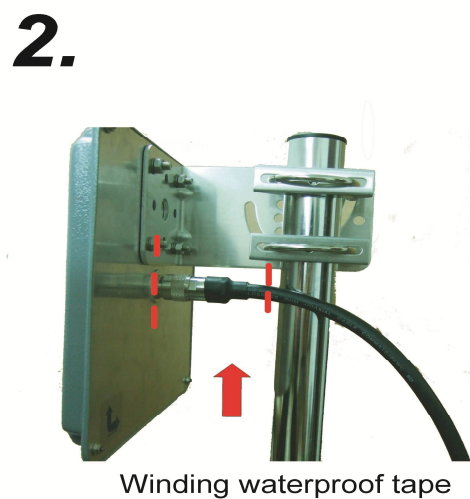
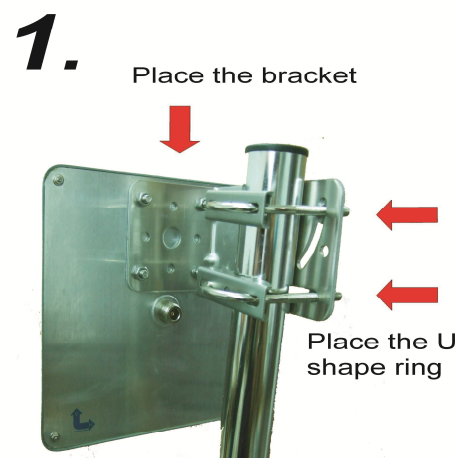
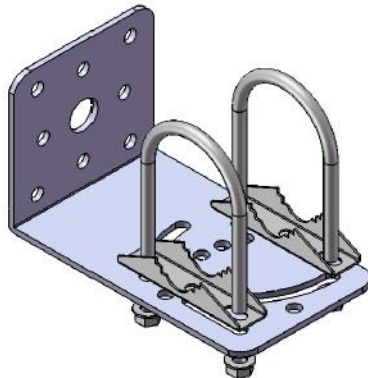
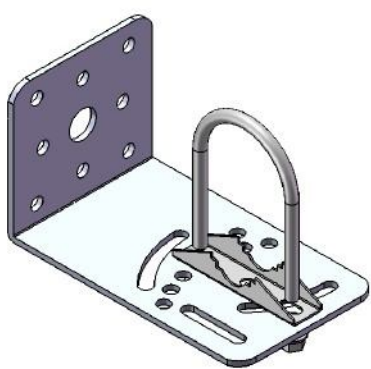
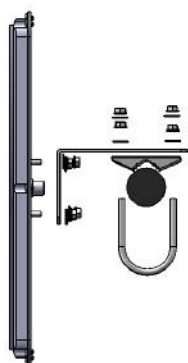
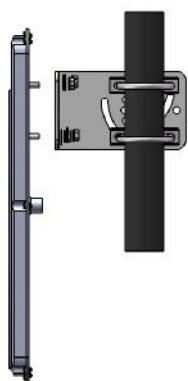
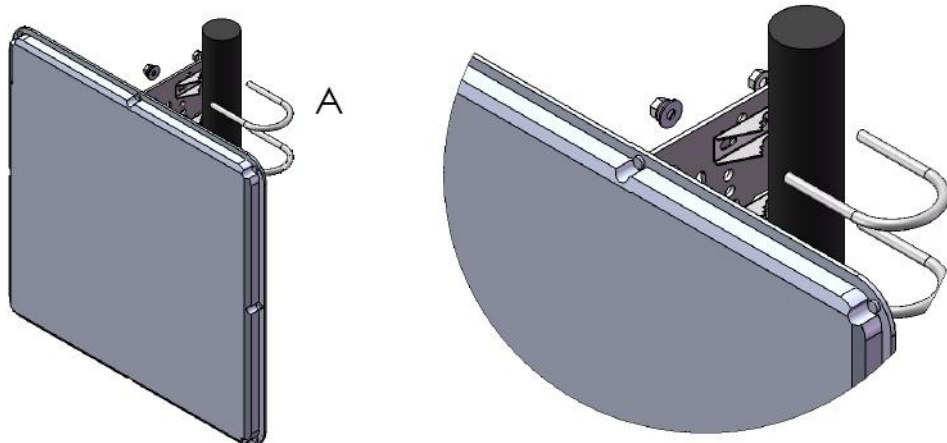
E-mail: support@cerio.com.tw

TEL: +886-2-8911-6160 #222

Web Site: www.cerio.com.tw

2.4GHz Outdoor Directional Panel 19dBi Pole Mount Antenna





3. *Finish*

