

CERIO Corporation

ANT-12A

5Ghz Outdoor Omni 12dBi with RF Cable Pole / Wall Mount Antenna Installation Guide



Technical Support

E-mail: support@cerio.com.tw

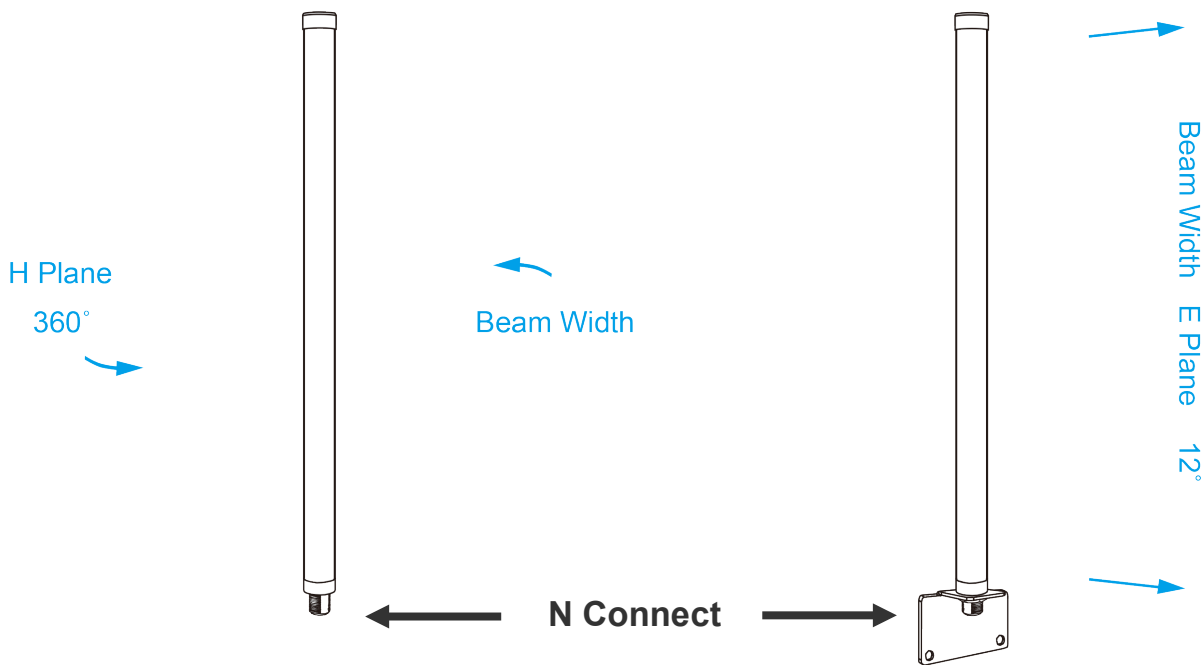
TEL: +886-2-8911-6160 #222

Web Site: www.cerio.com.tw

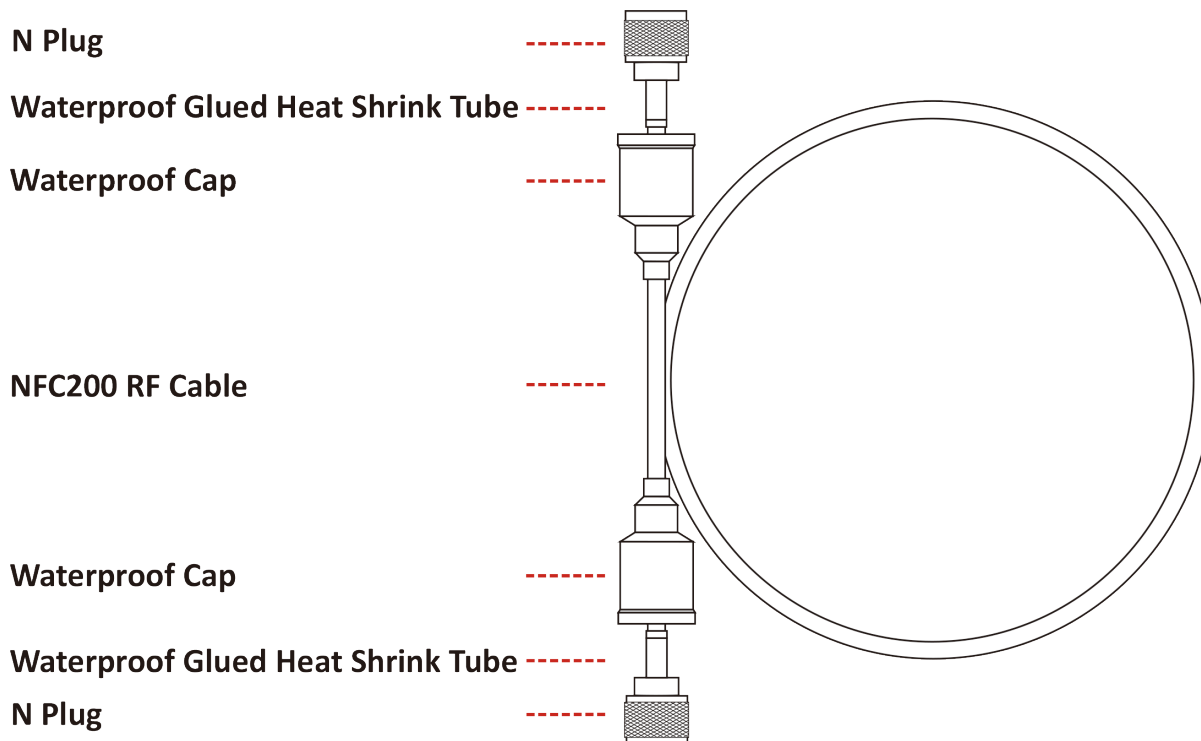
Package Contents :

- ANT-12A Main Unit x1
- Pole & Wall Mounting Ki x1
- RF Cables (NFC-NNP-1M) x1
- Quick Installation Guide x1
- Warranty Card x1

Main Unit Overview : (ANT-12A)

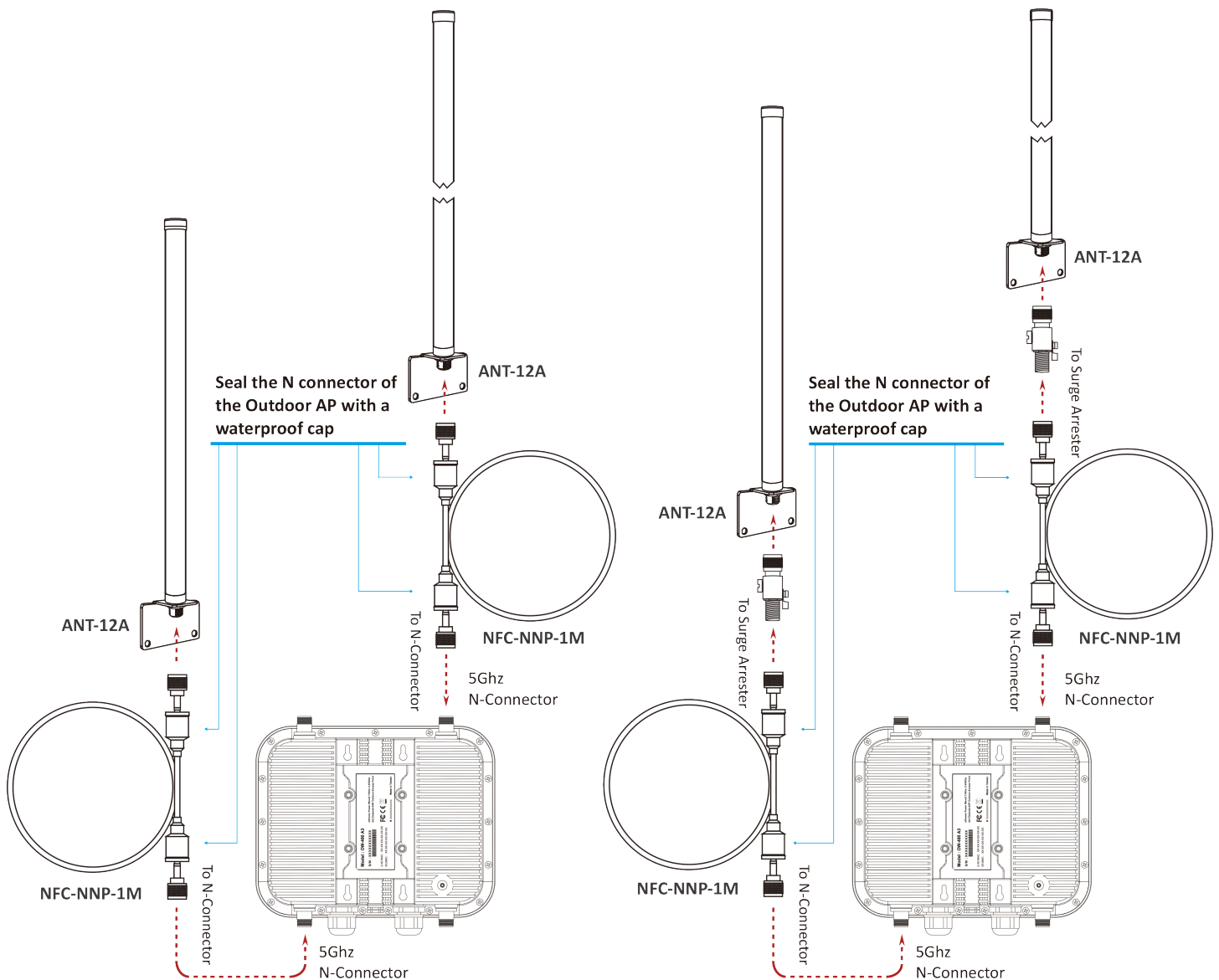


RF Cable Overview : (NFC-NNP-1M)



Installation:

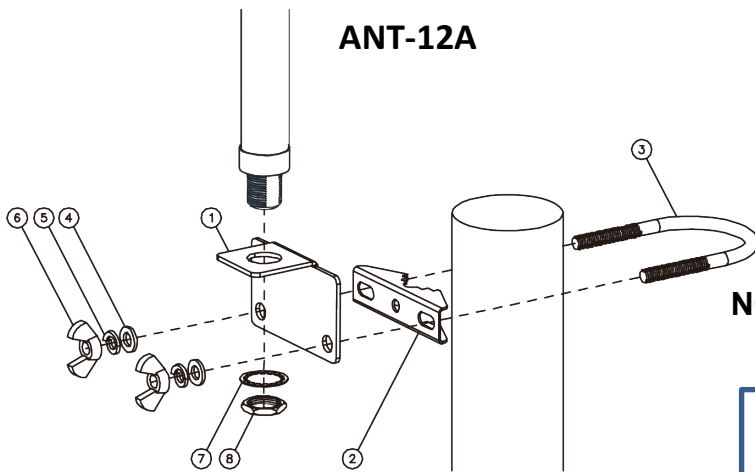
1. Mount the antenna on the brackets according to the Mounting diagram. Make sure the horizontal omnidirectional of the ANT-12A antenna with a beamwidth (H plane) of 360° and a beamwidth (E plane) of 12°.
2. Mount the ANT-12A antenna on the antenna on the mast supplied by customer according to the Mounting diagram.
3. Test the antenna with equipment to make sure the antenna receive the best signal first, then lock all the screws and seal the connector between ANT-12A antenna and NFC-NNP-1M RF cables with a waterproof cap.



No Surge arrester installation

Installation using a Surge arrester

1. Pole Mount (Pole Range: Ø40-Ø50mm)



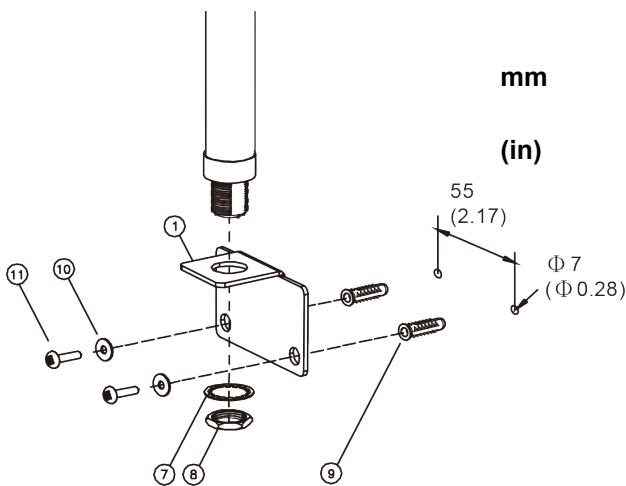
NO	DESCRIPTION	QTY	NO	DESCRIPTION	QTY
1	L Bracket	1	7	Lock washer	1
2	Pole-clamp	1	8	HEX. Nut	1
3	1/4" U-bolt	1	9	Plastic wall plug	2
4	Flat washer	2	10	M4 flat washer	2
5	Spring washer	2	11	5/32" Self tapping screws	2
6	1/4" Wing nut	2			

NO.3 Available Pole Range | Ø20-Ø52mm

2. Alternative wall mount

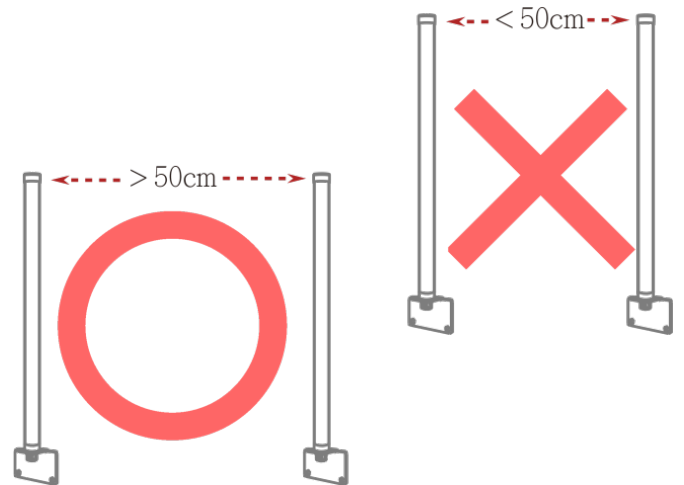
Drill 2 holes on the wall with following dimensions.

ANT-12A

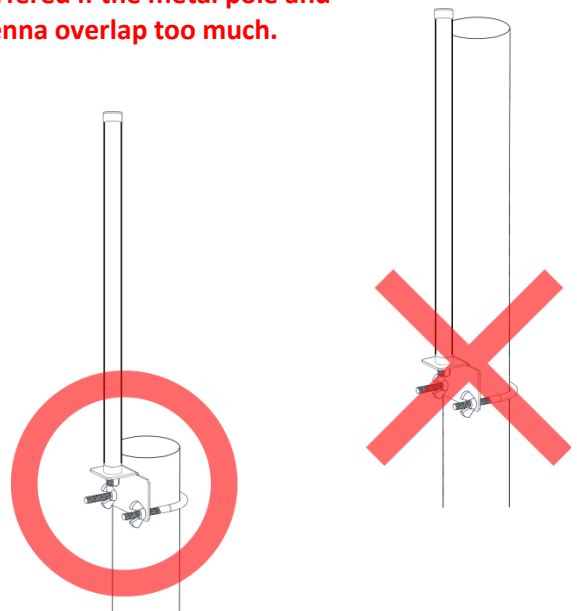


Caution:

Pay attention to spacing
The antenna installation distance must be greater than 50cm, otherwise it will cause signal interference.



Pay attention to the installation location
The antenna radiation would be interfered if the metal pole and antenna overlap too much.



If equipped with Surge Arrester

The product does not include Surge Arrester , The Surge Arrester (model : LP-300) is by optional.

ANT-12A

