

CERIO Corporation

ANT-10FD

2.4GHz 2x2 Outdoor IP68 Wide Rang Directional 10dBi Panel Pole/Wall Mount Antenna Installation Guide



Technical Support

E-mail: support@cerio.com.tw

TEL: +886-2-8911-6160 #222

Web Site: www.cerio.com.tw

Package Contents :

ANT-10FD Main Unit x1

Adjustable Pole & Wall Mounting Kit (OW-PKUR) x1

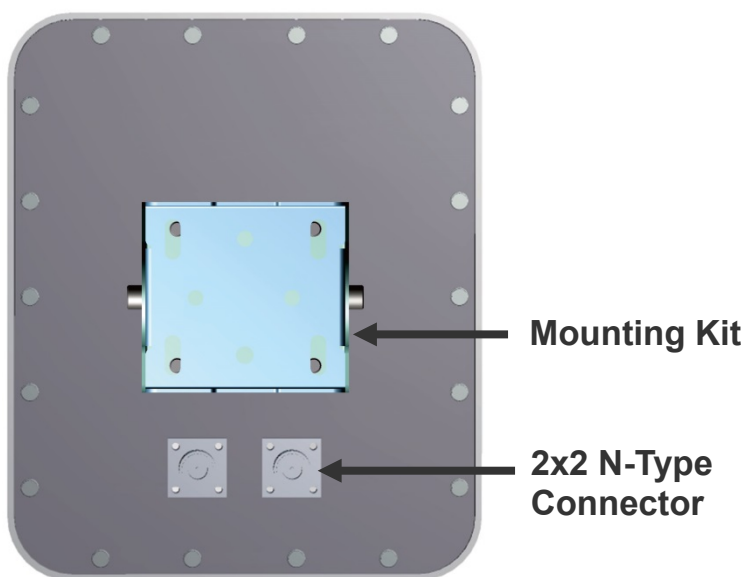
Quick Installation Guide x1

Warranty Card x1

Main Unit Overview : (ANT-10FD)



Real



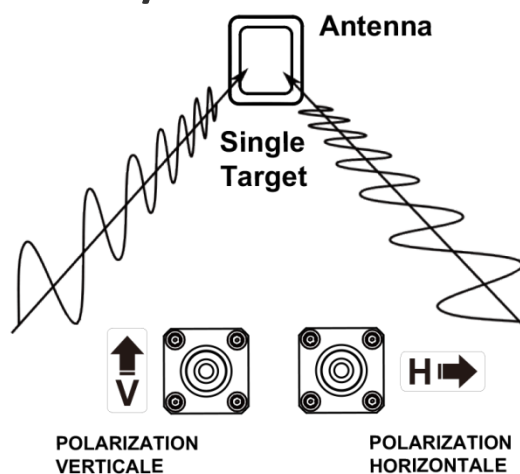
Real / with OW-PKUR

Installation:

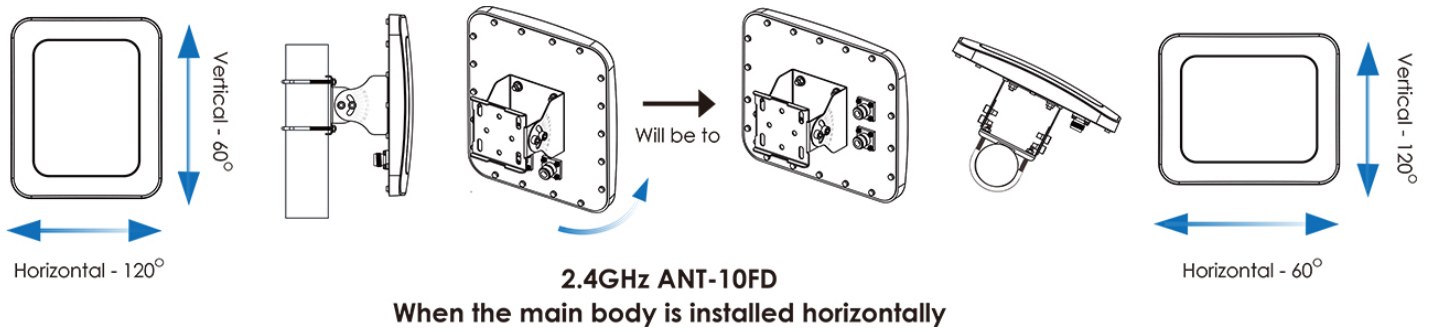
Mount the antenna on the brackets according to the Mounting diagram. Make sure the ANT-10FD antenna polarization parallel direction you needed. When the antenna polarization are vertical to the ground, the antenna is vertical polarized. When the antenna polarization are horizontal to the ground, the antenna is horizontal polarization.

1. ANT-10FD design in a **horizontally-polarized antenna**, Mount the ANT-10FD antenna on the antenna on the mast supplied by customer according to the Mounting diagram. Make sure that when ANT-10FD is installed as standard, the antenna points horizontally, the Horizontal beam width is 120°, and the Vertical beam width is 60°; or when the ANT-10FD casing is rotated 90 degrees, the antenna points horizontally, and the Horizontal beam width is 60°, Vertical beam width is 120°.

Linear H/V :



2.4GHz 2x2 Outdoor IP68 Wide Rang Directional 10dBi Panel Pole/Wall Mount Antenna

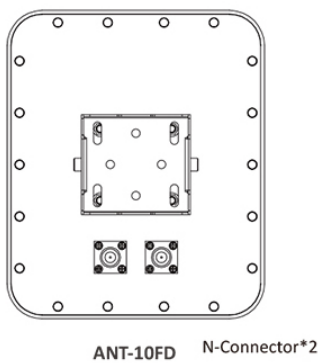


- Test the antenna with the device to make sure it is receiving the best RSSI signal: turn the azimuth and elevation, then tighten all the screws and make sure your own RF cable is connected with a lock seal, if you bought the LLMR-NNP-1M/ 2M RF cable, you can directly use the waterproof cap provided with LLMR-NNP-1M/2M to tightly seal the connector between ANT-10FD RF cables.

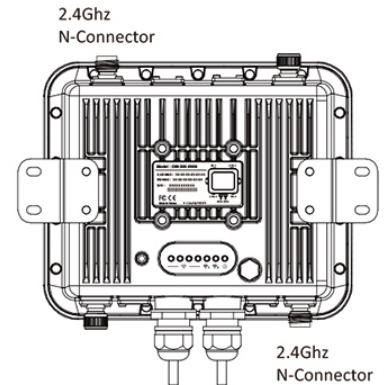
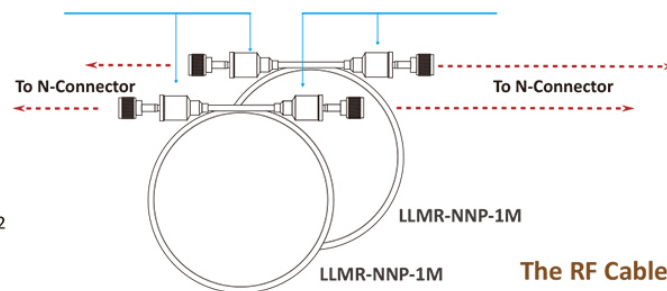
2.4Ghz Antenna

RF Cables

Outdoor AP Device



Seal the N connector of between the antenna and the outdoor AP with a waterproof cap



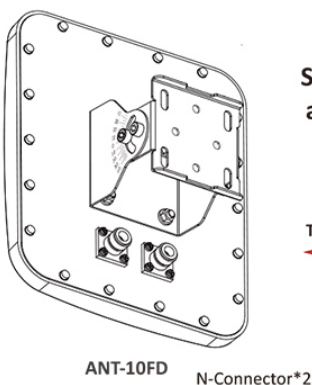
The RF Cables and Outdoor AP Device By Optional

2.4Ghz Antenna

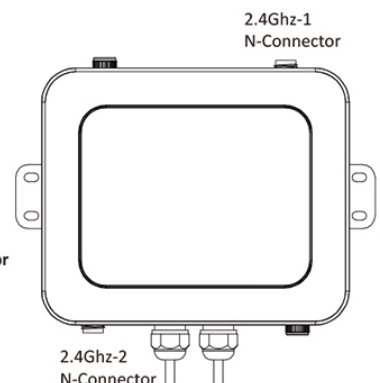
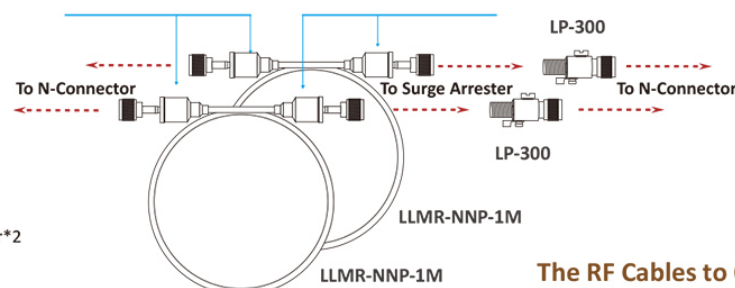
RF Cables

Surge Arrester

Outdoor AP Device



Seal the N connector of between the antenna and the Surge Arrester with a waterproof cap



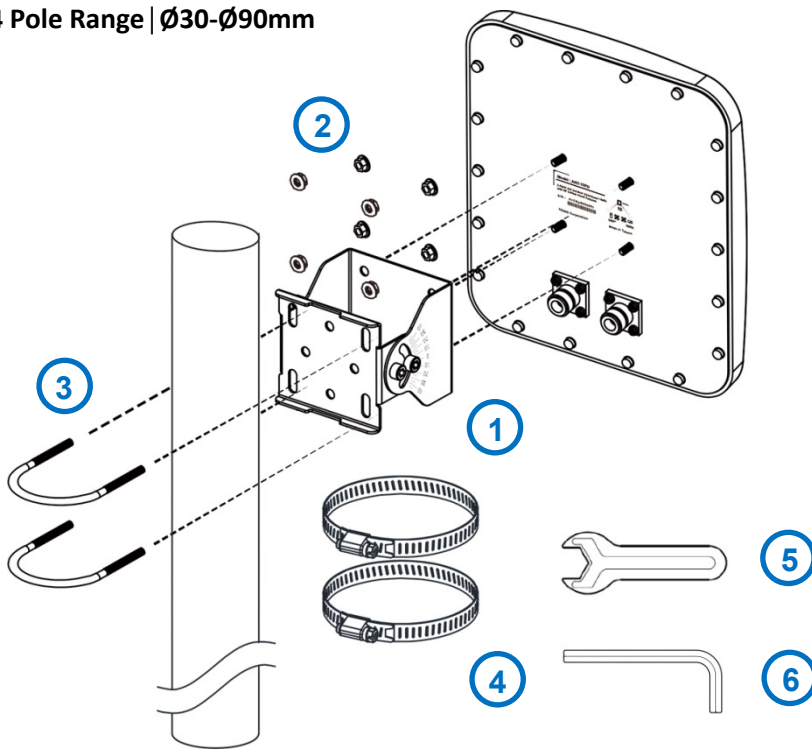
The RF Cables to Outdoor AP Device By Optional

1. Pole Mount (Pole Range: Ø30-Ø90mm)

#3 Pole Range | Ø34-Ø54mm

#4 Pole Range | Ø30-Ø90mm

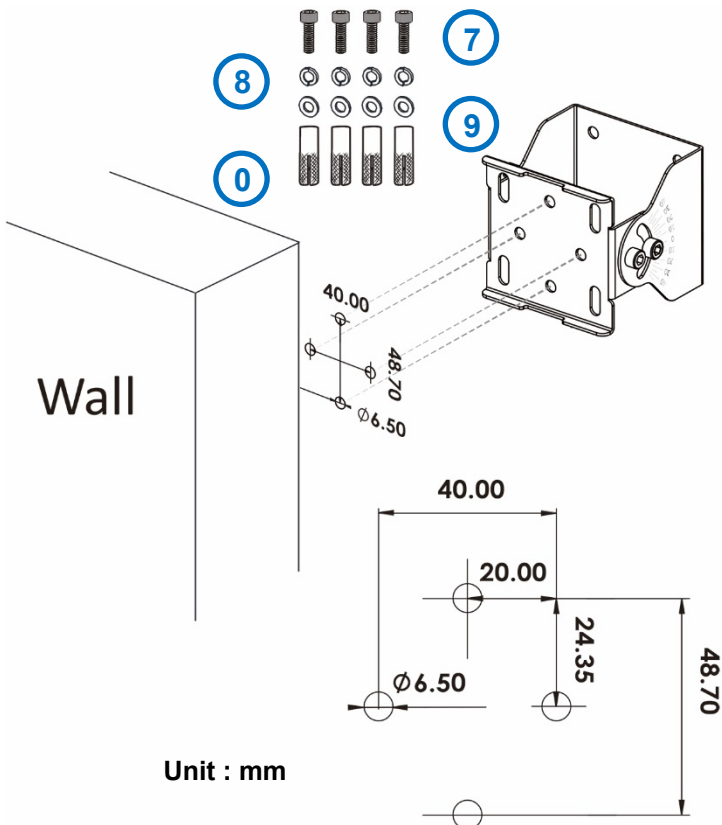
ANT-10FD back plate



NO	DESCRIPTION	QTY
1	SUS304 Uni-axis bracket with Hexagon socket cap screw set	1
2	SUS304 M6 Hexagon Flange Non-slip Nut	8
3	US304 M6 U bolt 66x75mm	2
4	US304 4" Hose Clamps	2
5	Simple single open hexagonal	1
6	#45 carbon steel-L-shaped hex wrench tool / 5mm	1
7	US304 M6/L18 Hexagon socket cap	4
8	US304 M6 spring washer	4
9	US304 M6 flat washer	4
10	Ni Drop in Anchors (25x6mm)	4

2. Alternative wall mount

Drill 4 holes on the wall with following dimensions.



Tilt angle adjustable by pole mount

(Based on the panel antenna by side view)

