

CERIO Corporation

ANT-10AD

5GHz 2x2 Outdoor IP68 Directional 10dBi Panel Pole/Wall Mount Antenna Installation Guide



Technical Support

E-mail: support@cerio.com.tw

TEL: +886-2-8911-6160 #222

Web Site: www.cerio.com.tw

Package Contents :

ANT-10AD Main Unit x1

Adjustable Pole & Wall Mounting Kit (OW-PKUR) x1

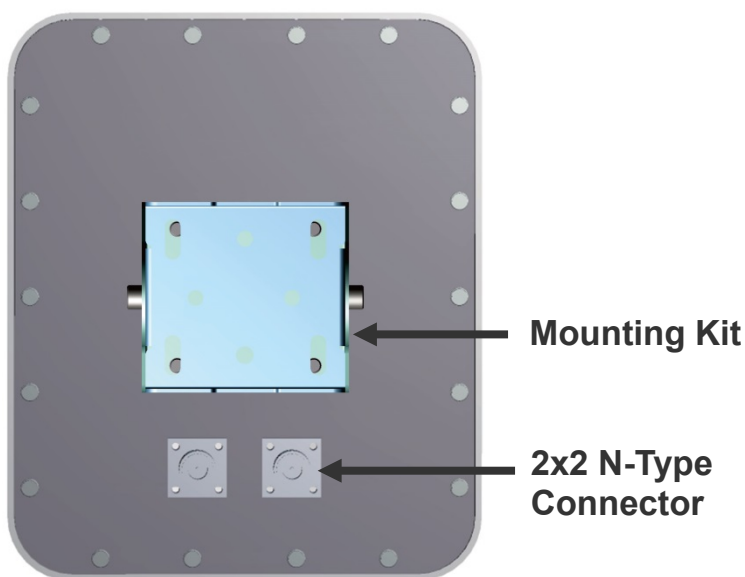
Quick Installation Guide x1

Warranty Card x1

Main Unit Overview : (ANT-10AD)



Real



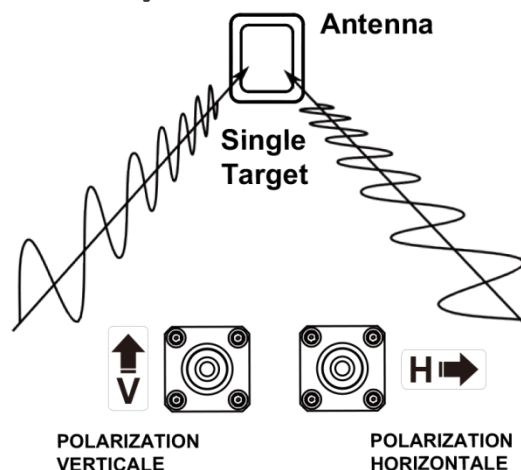
Real / with OW-PKUR

Installation:

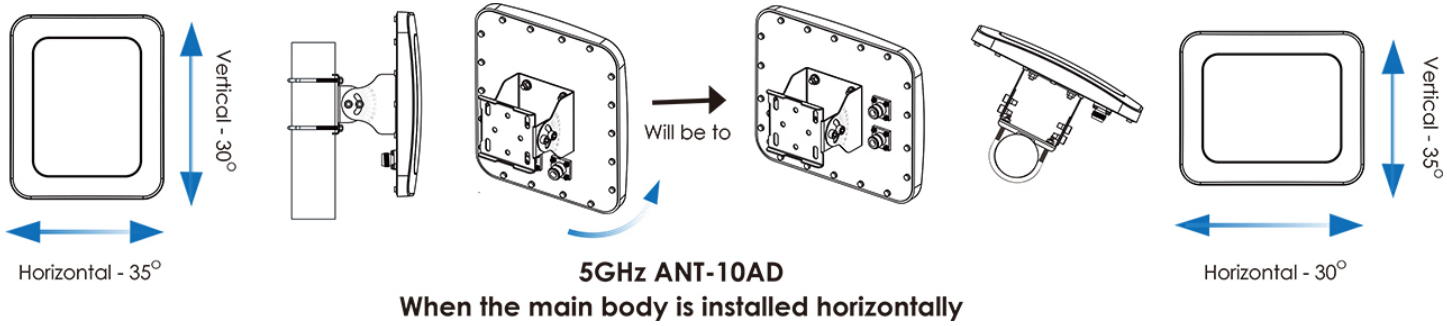
Mount the antenna on the brackets according to the Mounting diagram. Make sure the ANT-10AD antenna polarization parallel direction you needed. When the antenna polarization are vertical to the ground, the antenna is vertical polarized. When the antenna polarization are horizontal to the ground, the antenna is horizontal polarization.

1. ANT-10AD design in a **horizontally- antenna**, Mount the ANT-10AD antenna on the antenna on the mast supplied by customer according to the Mounting diagram. Make sure that when ANT-10AD is installed as standard, the antenna points horizontally, the Horizontal beam width is 35°, and the Vertical beam width is 30°; or when the ANT-10AD casing is rotated 90 degrees, the antenna points horizontally, and the Horizontal beam width is 30°, Vertical beam width is 35°.

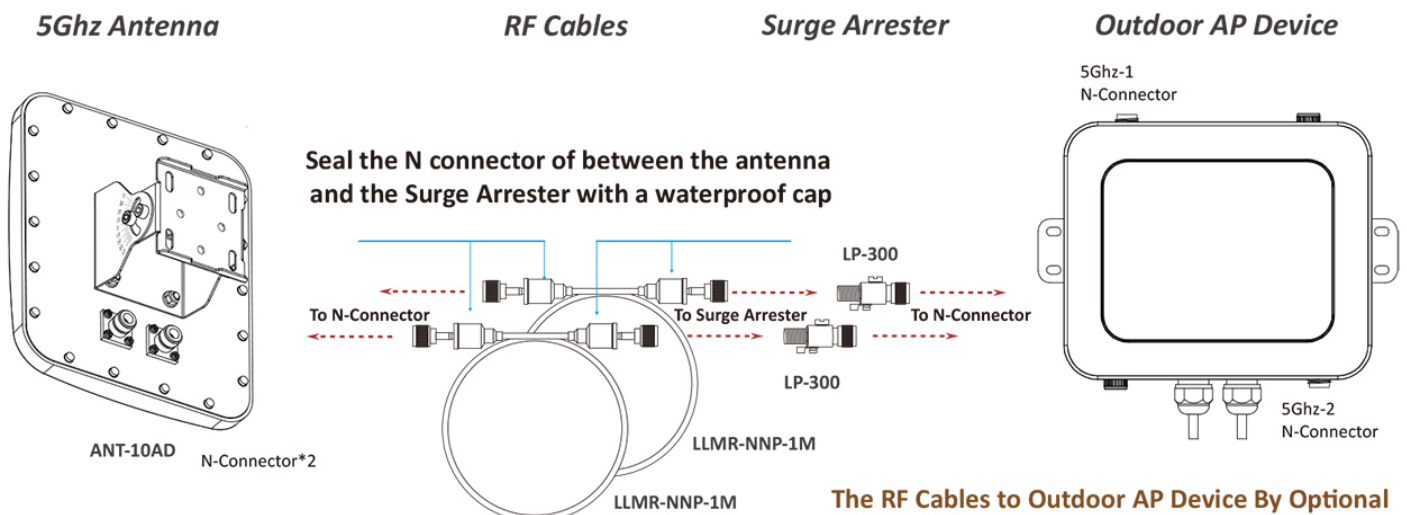
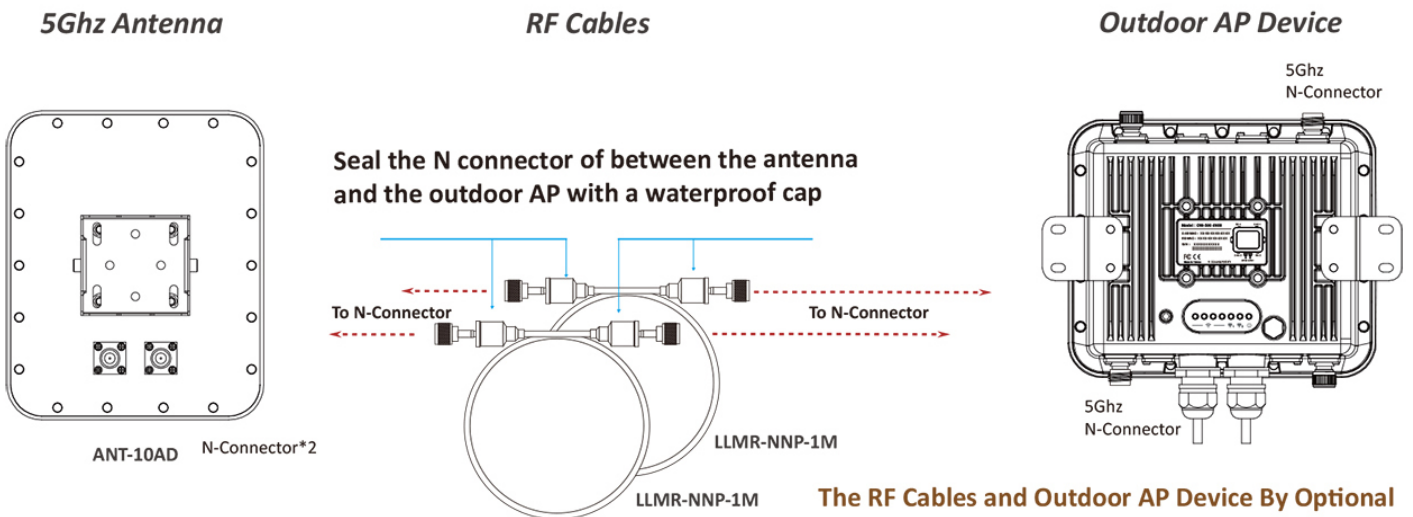
Linear H/V :



5GHz 2x2 Outdoor IP68 Directional 10dBi Panel Pole/Wall Mount Antenna



- Test the antenna with the device to make sure it is receiving the best RSSI signal: turn the azimuth and elevation, then tighten all the screws and make sure your own RF cable is connected with a lock seal, if you bought the LLMR-NNP-1M/ 2M RF cable, you can directly use the waterproof cap provided with LLMR-NNP-1M/2M to tightly seal the connector between ANT-10AD RF cables.

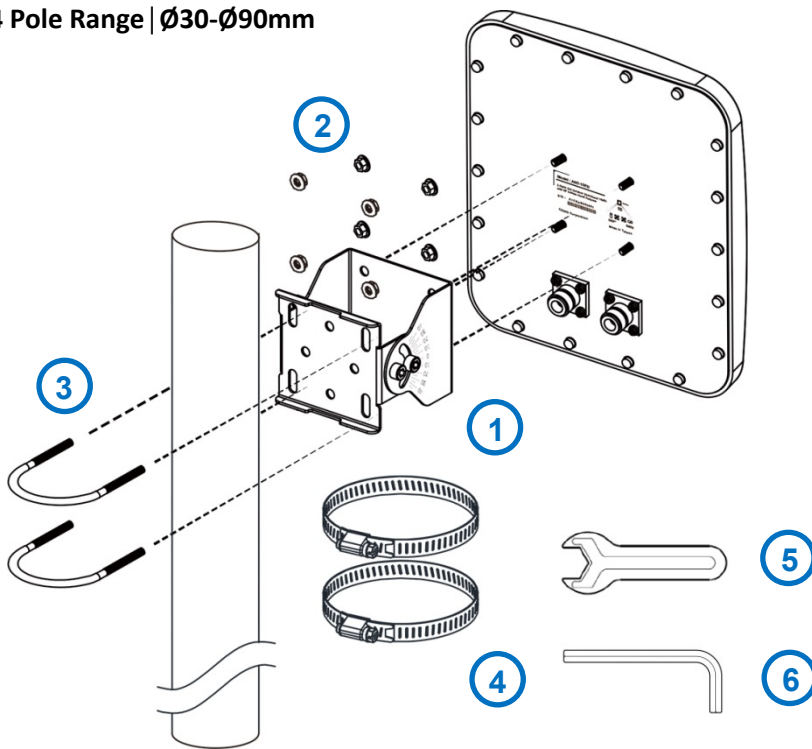


1. Pole Mount (Pole Range: Ø30-Ø90mm)

#3 Pole Range | Ø34-Ø54mm

#4 Pole Range | Ø30-Ø90mm

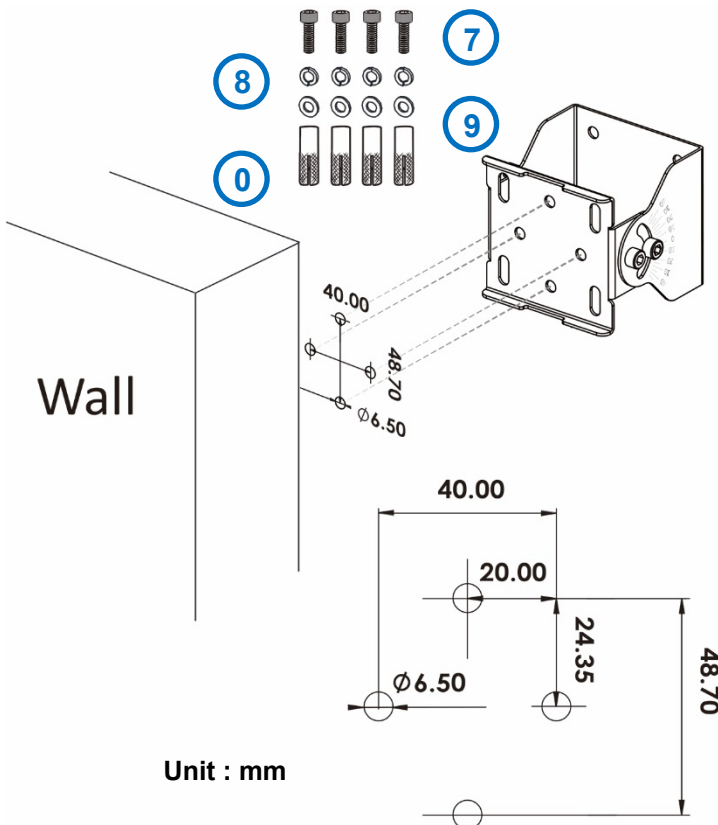
ANT-10AD back plate



NO	DESCRIPTION	QTY
1	SUS304 Uni-axis bracket with Hexagon socket cap screw set	1
2	SUS304 M6 Hexagon Flange Non-slip Nut	8
3	US304 M6 U bolt 66x75mm	2
4	US304 4" Hose Clamps	2
5	Simple single open hexagonal	1
6	#45 carbon steel-L-shaped hex wrench tool / 5mm	1
7	US304 M6/L18 Hexagon socket cap	4
8	US304 M6 spring washer	4
9	US304 M6 flat washer	4
10	Ni Drop in Anchors (25x6mm)	4

2. Alternative wall mount

Drill 4 holes on the wall with following dimensions.



Tilt angle adjustable by pole mount

(Based on the panel antenna by side view)

