

CERIO Corporation

ANT-0608WN

2.4Ghz / 5Ghz Outdoor thin type Omni

6dBi / 8dBi Dual Band

Pole / Wall Mount Antenna

Installation Guide

Specifications

Antenna Type	Indoor / Outdoor Omni Antenna
Frequency Range	2.4 ~ 2.5GHz , 5.2 ~ 5.8Ghz Dual Band
Network Specification	Wireless 2.4Ghz Network IEEE 802.11ac/a/an/bgn MIMO
Gain	2.4Ghz : 6dBi / 5Ghz : 8dBi
V.S.W.R	< 1.5
Beam Width-H Plane	360°
Beam Width-E Plane	22°
Polarization	Vertical (Linear)
Input Impedance	50 Ohms
Connector	N-Type Female
Form Factor	Wall Mount and Pole Mount
Rated Wind Velocity	150Km / Hour
Operation Temperature	-20°C - + 70°C
Storage Temperature	-30°C - + 80°C
Humidity	95% maximum (non-condensing)
Product Dimension	Antenna : 250 * 13 (L *W) mm 13mm Diameter (max) With Wall Mount Bracket : 304*55 (L *W) mm
Weight	68g (With Wall Mount Bracket : 161g)

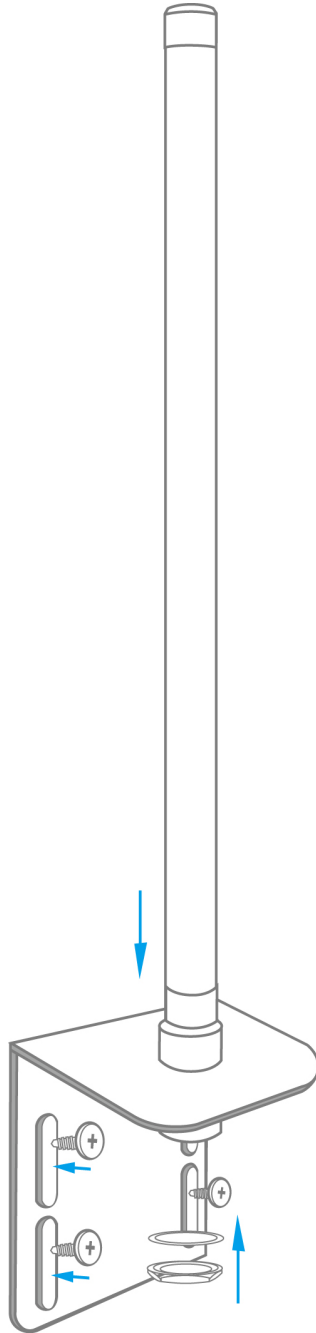
Package Content

ANT-0608WN Antenna Main Unit	x1
Pole / Wall Mount kit	x1
Quick Installation Guide Booklet	x1
Warranty Card	x1

Technical Support

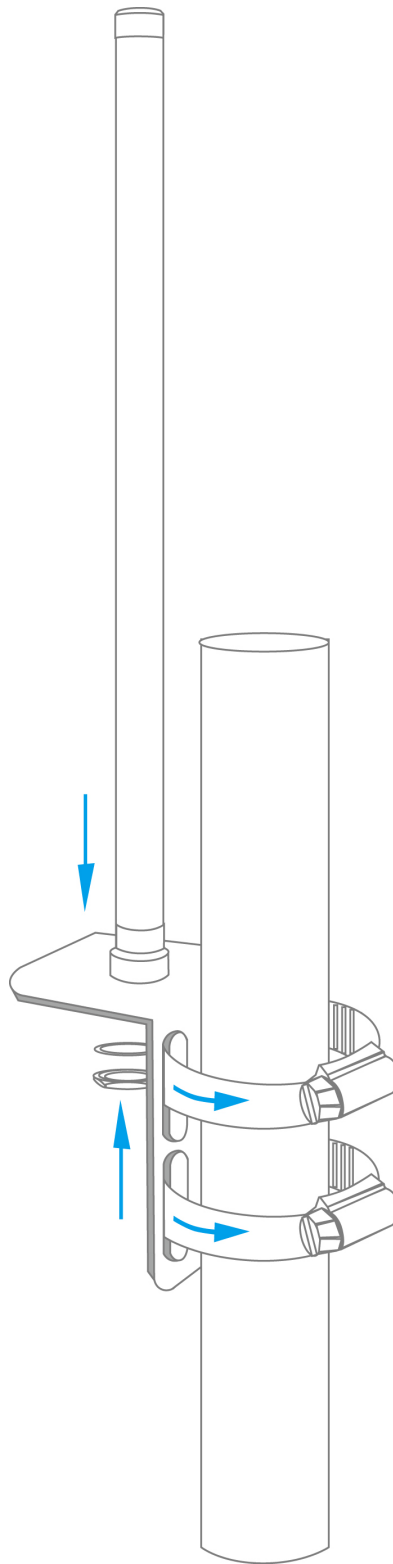
E-mail: support@cerio.com.tw
TEL: +886-2-8911-6160 #222
Web Site: www.cerio.com.tw

Wall Mount Sample



Mount the "L" type bracket at the back of the antenna, then mount the antenna on the wall, then lock all the screws and connector between antenna and cable.

Pole Mount Sample



Mount the "L" type bracket at the back of the reflector, then mount the antenna on the mast supplied by customer according to the Mounting diagram, then lock all the screws and connector between antenna and cable.