

# CERIO Corporation

## ANT-23AD

### 5GHz 2x2 Outdoor Directional 23dBi with RF Cables Panel Antenna Installation Guide



#### Technical Support

E-mail: [support@cerio.com.tw](mailto:support@cerio.com.tw)

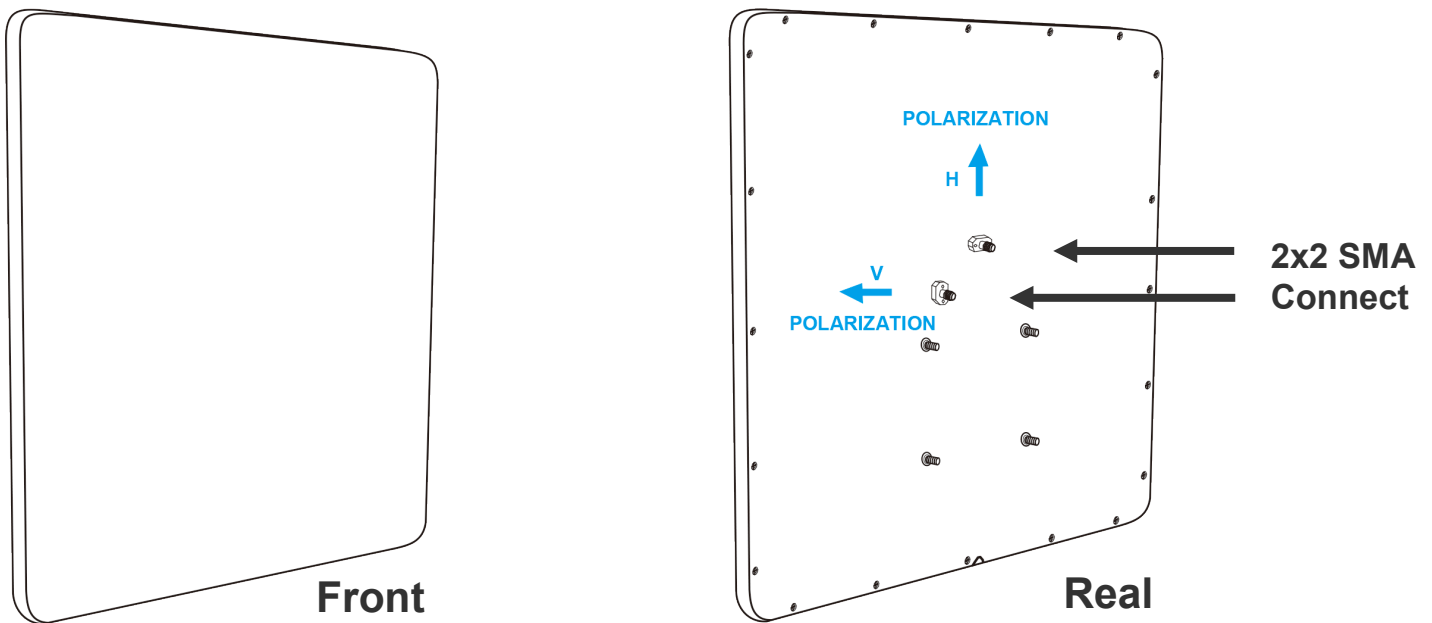
TEL: +886-2-8911-6160 #222

Web Site: [www.cerio.com.tw](http://www.cerio.com.tw)

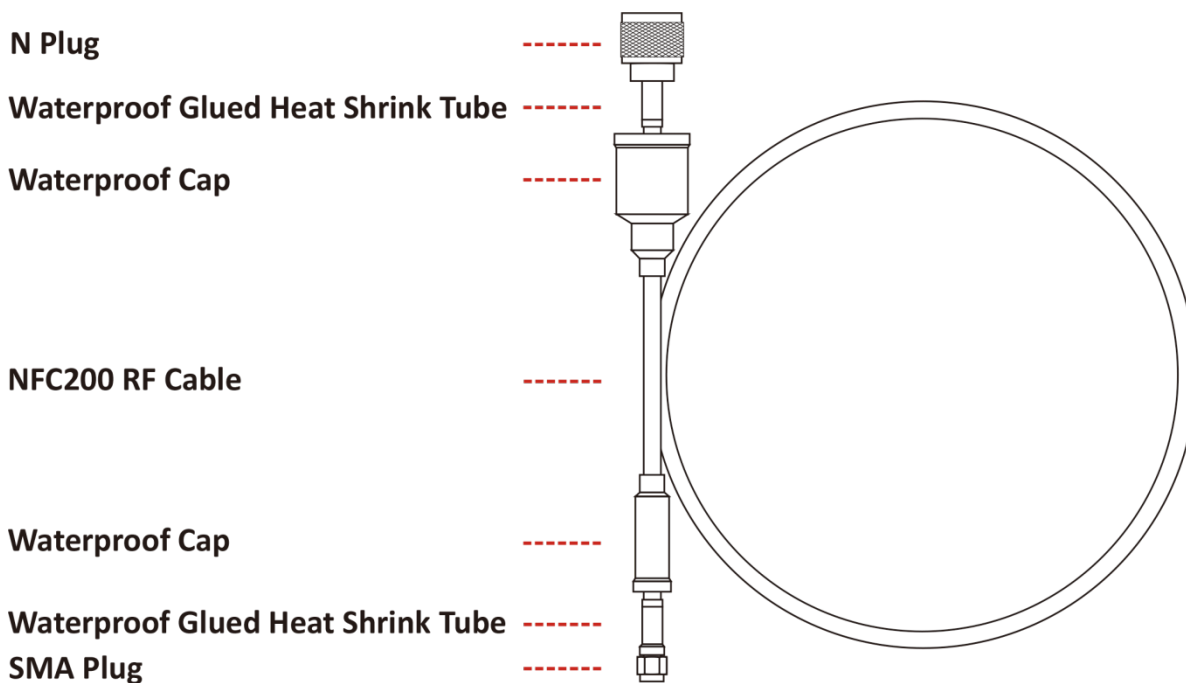
## Package Contents :

- ANT-23AD Main Unit    x1
- Adjustable Pole & Wall Mounting Kit    x1
- RF Cables (NFC-NSP-1M)    x2
- Quick Installation Guide    x1
- Warranty Card    x1

## Main Unit Overview : (ANT-23AD)

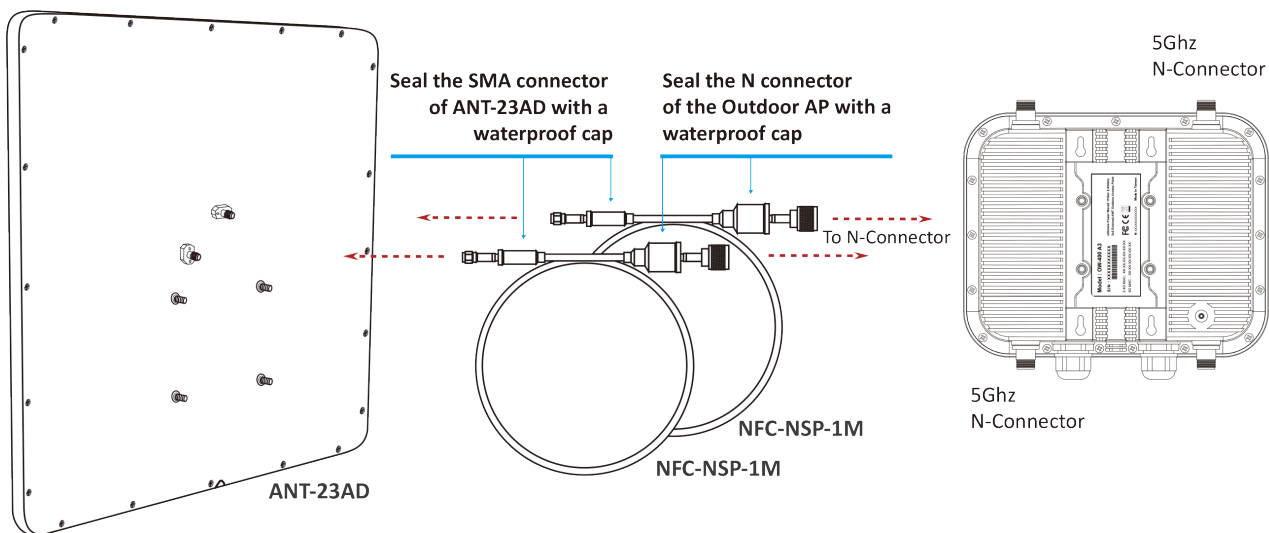


## RF Cable Overview : (NFC-NSP-1M)

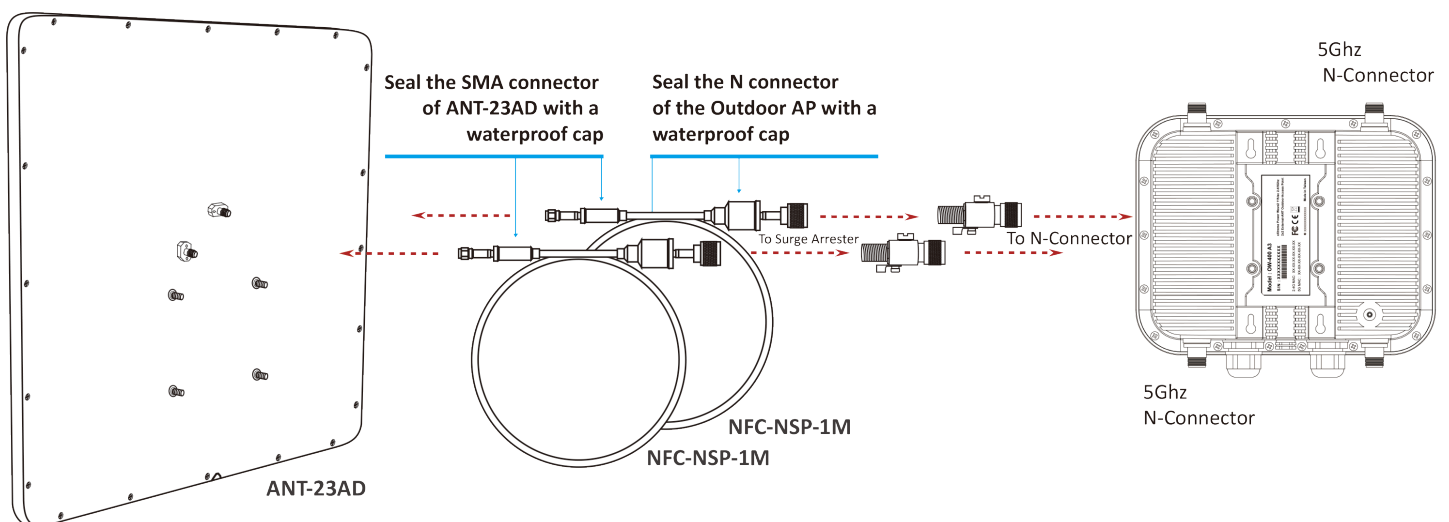


## Installation:

1. Mount the antenna on the brackets according to the Mounting diagram. Make sure the ANT-23AD antenna polarization parallel direction you needed. When the antenna polarization are vertical to the ground, the antenna is vertical polarized. When the antenna polarization are horizontal to the ground, the antenna is horizontal polarization.
2. Mount the ANT-23AD antenna on the antenna on the mast supplied by customer according to the Mounting diagram.
3. Test the antenna with equipment to make sure the antenna receive the best signal by turning the azimuth and pitching angle, then lock all the screws and seal the connector between ANT-23AD antenna and NFC-NSP-1M RF cables with a waterproof cap.



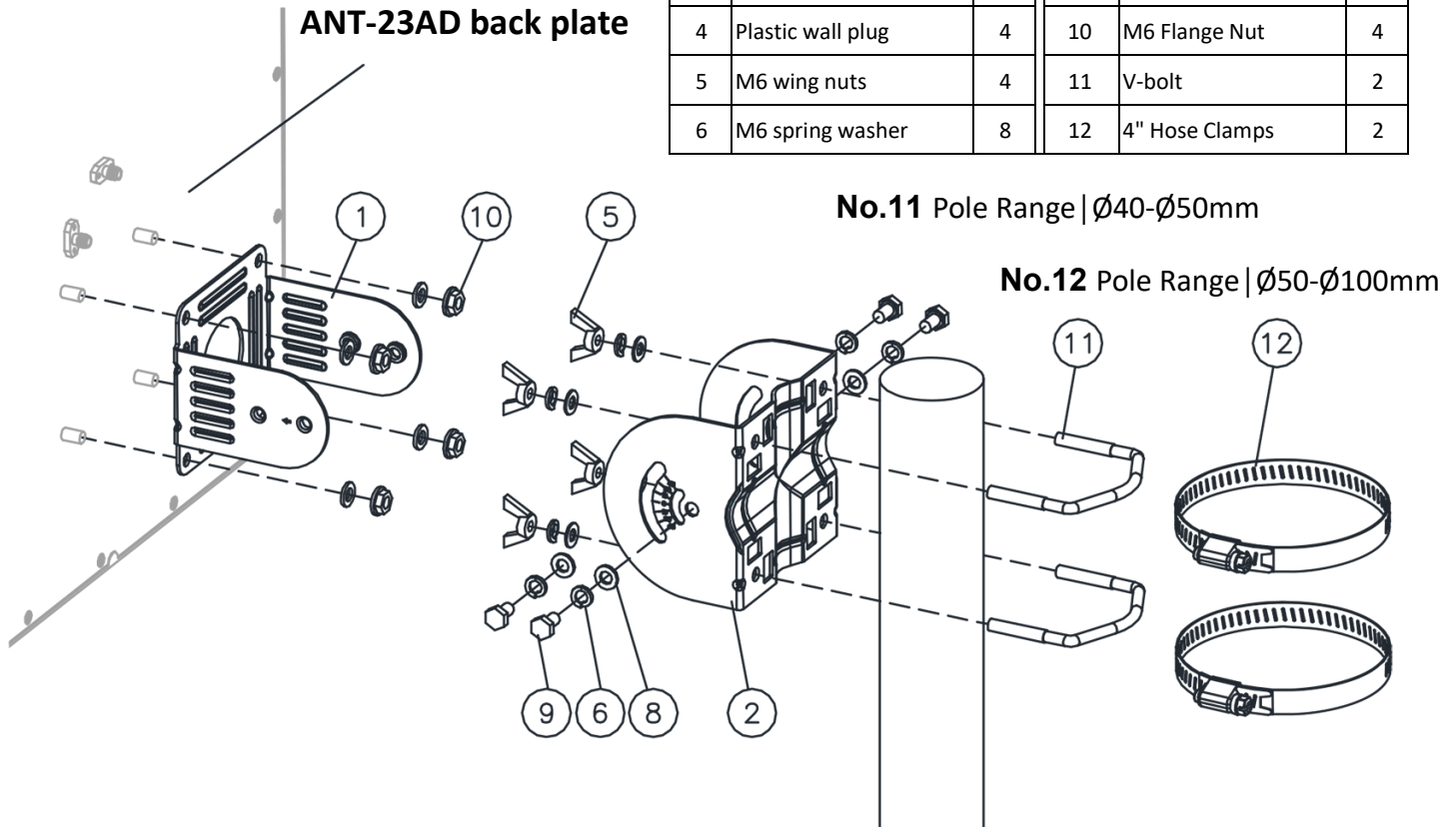
### No Surge arrester installation



### Installation using a Surge arrester

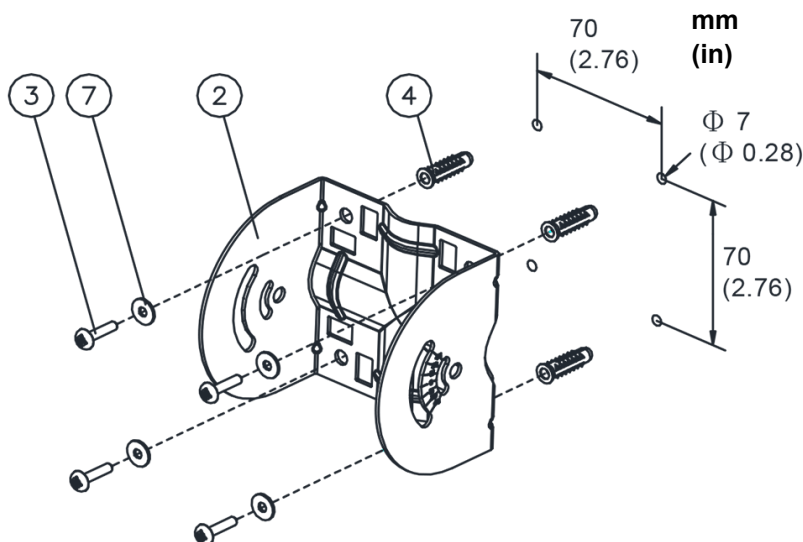
NO	DESCRIPTION	QTY	NO	DESCRIPTION	QTY
1	Bracket Panel	1	7	M4 flat washer	4
2	Bracket VV	1	8	M6 flat washer	12
3	5/32" Self tapping screws	4	9	Hex Bolt M6x10L	4
4	Plastic wall plug	4	10	M6 Flange Nut	4
5	M6 wing nuts	4	11	V-bolt	2
6	M6 spring washer	8	12	4" Hose Clamps	2

### 1. Pole Mount (Pole Range: Ø40-Ø100mm)



### 2. Alternative wall mount

Drill 4 holes on the wall with following dimensions.



### Tilt angle adjustable by pole mount

(Based on the panel antenna by 380x380mm)

