

CS-1008G-8PX

**8 Port 10/100/1000M Gigabit PoE+ Switch
(90Watt Power)**

EAN Code : 4712757159653



Introduction

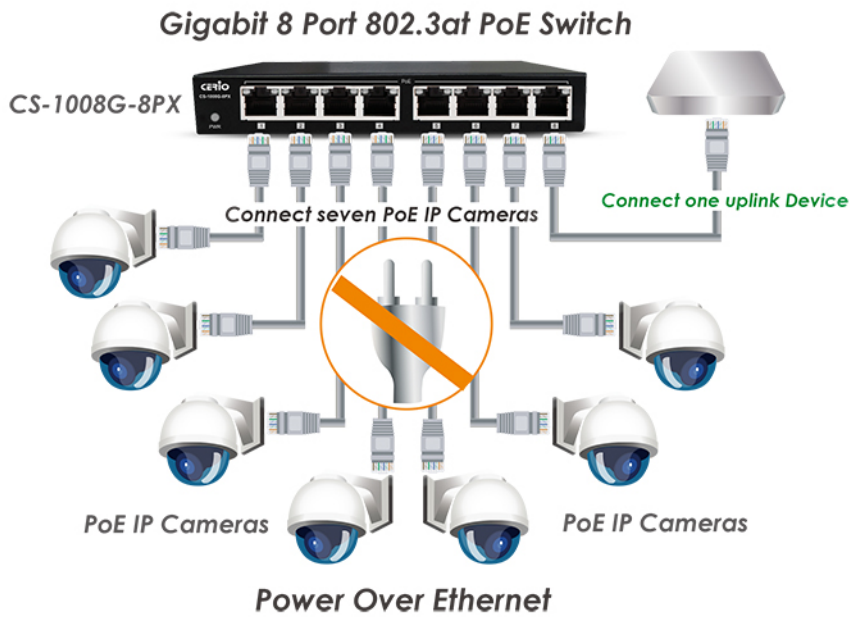
The **CERIO CS-1008G-8PX** is a powerful and complying with IEEE 802.3af/at Power over Ethernet standard which provides **DC 48~57V** Gigabit over Ethernet cables high-performance Gigabit Ethernet switch, with all 8 ports capable of 10/100Mbps or 1000Mbps auto-negotiation operation which means the switch could automatically negotiate with the connected partners on the network speed and duplex mode. It is ideal for micro-segmenting large networks into smaller, connected subnets for improved performance, enabling the bandwidth demanding multimedia and imaging applications. Moreover, the 10/100/1000Mbps auto-sensing ability provides an easy way to migrate 10Mbps to 1000Mbps network with no pain.

The **CS-1008G-8PX supports 8 Port 10/100/1000M Gigabit port Power over Ethernet (PoE+)** allows you to expand your network via Ethernet cable to where there is no power line or outlet but where you want to fix devices such as APs, IP Cameras or IP Phones, etc.. No longer need to worry about the complicated cables and long distance which may cost you a lot of time and money. By integrating the data transmitting cable and power cord, it eliminates the effort constructing your network. Over current protection and circuit shorting protection are also supported to ensure the safety. It also support desk top and wall mounting for easy installation.

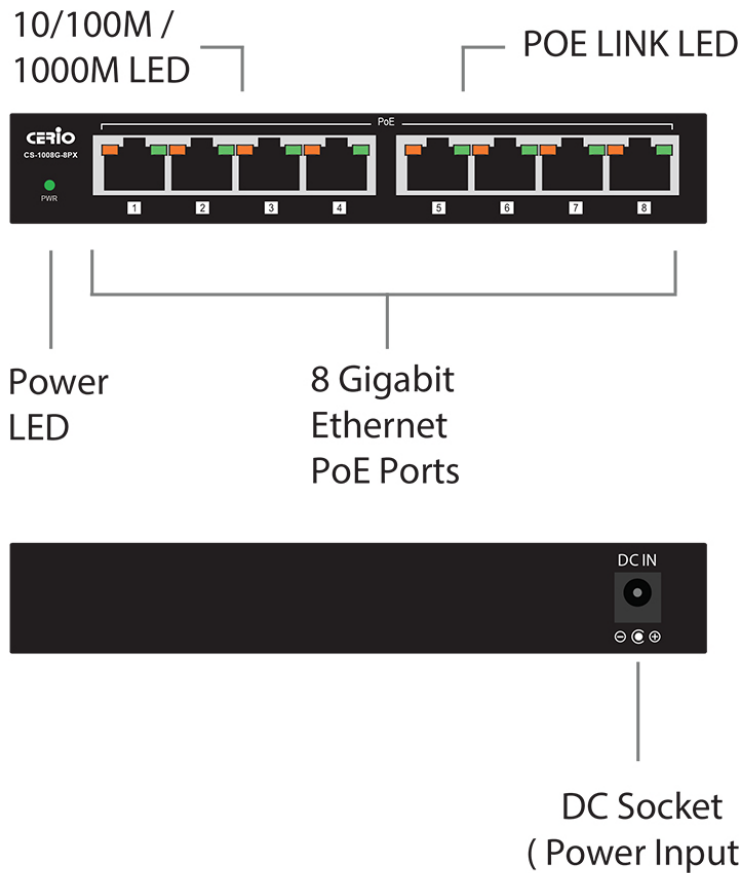
Highlight Features

- Complying with IEEE 802.3 10Base-T, IEEE 802.3u 100Base-TX, IEEE 802.3ab 1000Base-T, IEEE 802.3af PoE ,IEEE 802.3at PoE+.
- 8 Ports 10/100/1000Mbps Auto-Negotiation Gigabit Switch, including 8 Ports PSE/ PoE+ function, complying with IEEE 802.3af/at standard.
- Supporting the power up to 30Watt/15.4Watt/ 7.5Watt/4Watt for each PSE/PoE+ port with bundle Power Adapter have 90Watt share for 8 PoE ports.
- Full/Half-Duplex capability on each TX port.
- Supports Store & Forward architecture and performs forwarding and filtering.
- Auto-learning networking configurations.
- Supporting the flow control: back pressure for Half-duplex and IEEE 802.3x for Full-duplex mode.
- Support Jumbo Frame 9K.
- Non-blocking & Non-head-of-line blocking full-wire speed forwarding.
- Supports TP interface Auto MDIX function for auto TX/RX swap.
- Automatic Source MAC Address Learning and Aging.
- Supports up to 4K MAC addresses.
- Up to 1.5Mb bits buffer.

Product Application



Hardware Overview



Standards & Hardware Specifications

Network Standards Conformance

IEEE 802.3 10Base-T
 IEEE 802.3u 100Base-TX,
 IEEE 802.3ab 1000Base-T,
 IEEE 802.3x Flow Control
 IEEE 802.3af Power over Ethernet (PoE)
 IEEE 802.3at Power over Ethernet Plus (PoE+)

Port Configuration

8ports RJ-45 connectors for 10/100/1000Mbps
 (With 8 Ports PSE/ PoE+ function)

Media Access Protocol

CSMA / CD

Network Media

10BASE –T: UTP Cat. 3 or up,
 100BASE-TX: UTP Cat. 5 or up,
 1000BASE-T: UTP Cat. 5 or up

Transmission Method

Store and Forward

MAC Address Table

4K

Built-in Buffer

1.5Mb

Jumbo Frame

9K

Data Transfer Rate

10/100/1000Mbps (Half-duplex),
 20/200/2000Mbps (Full-duplex)

Auto MDI/MDIX

Yes

LED Indicators

Per Gigabit Port:(Link/Act): Status	x 8
PoE : Status	x 8
Per Unit: Power	x 1

Internal Bus Speed

16Gbps

Environmental & Mechanical Characteristics

Power Supply

90Watt External Power Adapter

PoE Power Budget

80Watt shared for all PoE Ports

Power Consumption

2.8 Watt

PoE Power Output

Up to 30W per port

Power Requirement

DC In : Input Voltage: 48 ~ 57Volt

Operating Temperature

0° to 55° C

Storage Temperature

-40° to 70° C

Operating Humidity

10% to 90% non-condensing

Storage Humidity

5% to 90% non-condensing

Dimensions (W x D x H)

160 x 85 x 25mm

Unit Weight

0.36kg

Case of Materials

Metal

Production Location

TW Only

Certifications

FCC, CE, RoHS-Compliant

Package Contents

Contents

CS-1008G-8PX Main Unit	x1
Quick Installation Guide Booklet	x1
Power Adapter	x1
Warranty Card	x1