

CS-1008G-8P

8 Port 10/100/1000M Gigabit PoE+ Switch
(160Watt Power)

EAN Code : 4712757159332



Introduction

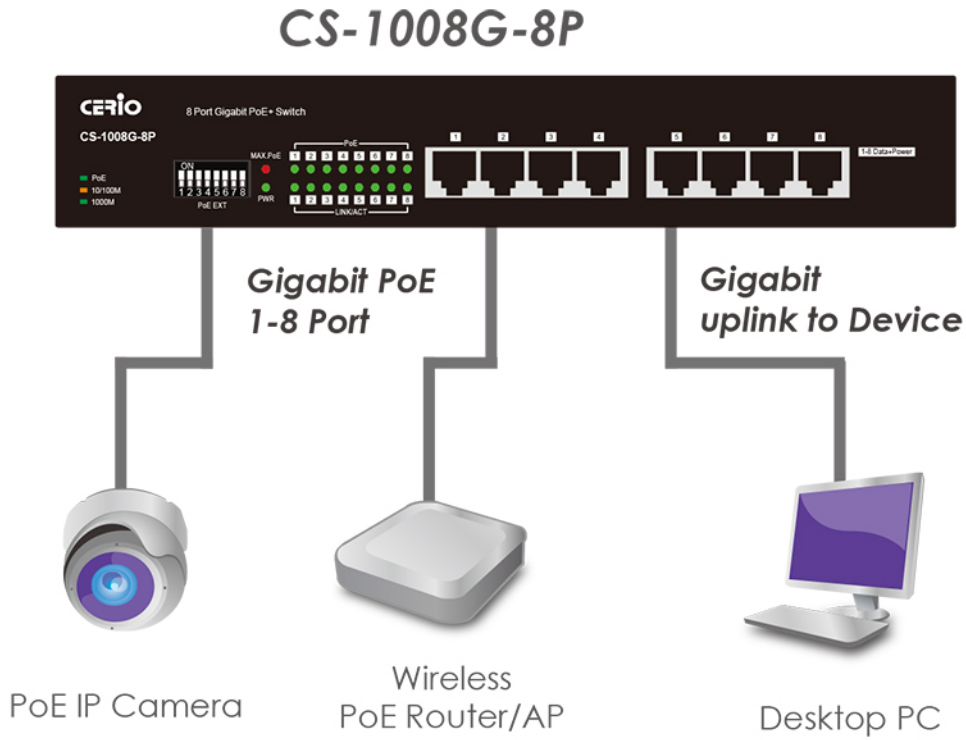
The **CERIO CS-1008G-8P** is a powerful and IEEE 802.3af/at Power over Ethernet high-performance Gigabit Ethernet switch, with all 8 ports capable of 10/100Mbps or 1000Mbps auto-negotiation operation which means the switch could automatically negotiate with the connected partners on the network speed and duplex mode. It is ideal for micro-segmenting large networks into smaller, connected subnets for improved performance, enabling the bandwidth demanding multimedia and imaging applications. Moreover, the 10/100/1000Mbps auto-sensing ability provides an easy way to migrate 10Mbps to 1000Mbps network with no pain.

This switch **supports 8 Port 10/100/1000M Gigabit port Power over Ethernet (PoE+), 10Mbps speed with 802.3at 30Watt PoE+ power output over distance up to 280 meters on RJ45 UTP cable.** Up to 280m PoE distance allows you to expand your network via Ethernet cable to where there is no power line or outlet but where you want to fix devices **such as APs, IP Cameras or IP Phones**, etc.. No longer need to worry about the complicated cables and long distance which may cost you a lot of time and money. By integrating the data transmitting cable and power cord, it eliminates the effort constructing your network. Over current protection and circuit shorting protection are also supported to ensure the safety.

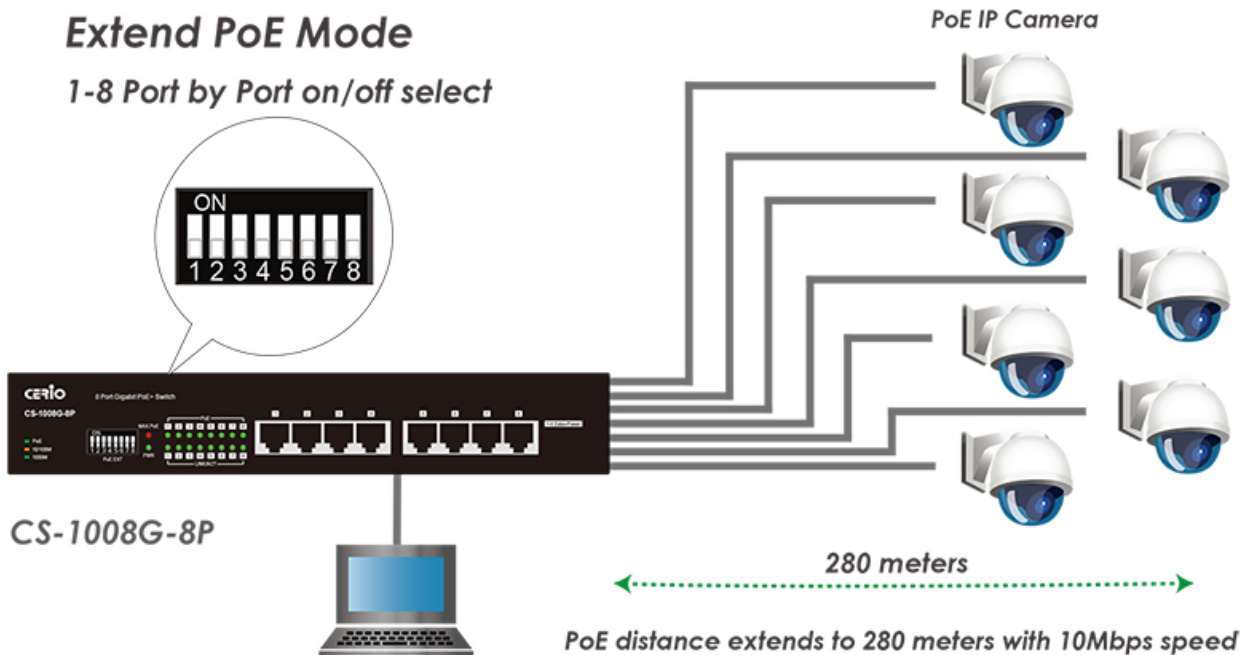
Highlight Features

- Complying with IEEE 802.3 10Base-T, IEEE 802.3u 100Base-TX, IEEE802.3ab 1000Base-T, IEEE-802.3af PoE ,IEEE802.3at PoE+
- 8port 10/100/1000Mbps TX Auto-Negotiation Ethernet Switch , supports 8 Port Gigabit PSE / PoE function, compliant with IEEE-802.3af class3 /class2/class1 and IEEE802.3at
- Ethernet Extend Mode per port DIP switch control makes transmission distance up to 280m
- Support PoE Power Maximum 30W for share 1~8 PSE/PoE Ports
- Internal 160Watt power supply supports a maximum PoE power budget of 130 Watt
- Full/Half-Duplex capability on each TX port ,
- Supports Store & Forward architecture and performs forwarding and filtering
- Auto-learning networking configurations
- Supporting the flow control: back pressure for Half-duplex and IEEE 802.3x for Full-duplex mode
- Support Jumbo Frame 9K
- Non-blocking & Non-head-of-line blocking full-wire speed forwarding
- Supports TP interface Auto MDIX function for auto TX/RX swap
- Automatic Source MAC Address Learning and Aging
- Supports up to 4K MAC addresses
- Up to 1.5M bits buffer

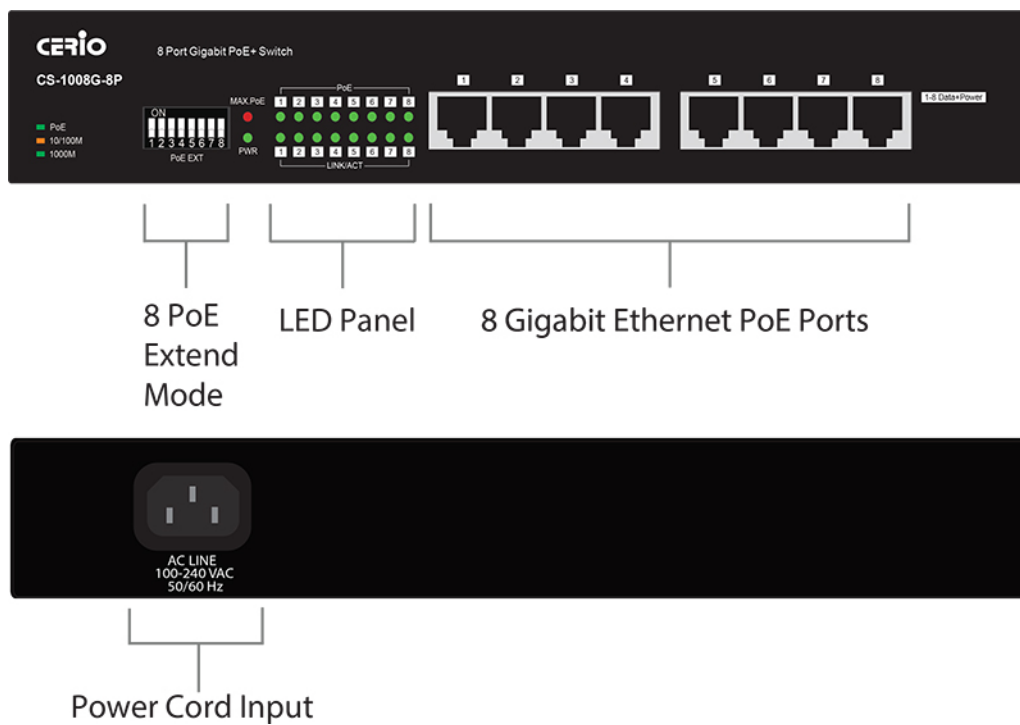
CS-1008G-8P Application



CS-1008G-8P Extend PoE Mode



Hardware Overview



Standards & Hardware Specifications

Network Standards Conformance

IEEE 802.3 10Base-T
 IEEE 802.3u 100Base-TX,
 IEEE 802.3ab 1000Base-T,
 IEEE 802.3x Flow Control
 IEEE 802.3af Power over Ethernet (15.4 Watt PoE)
 IEEE 802.3at Power over Ethernet Plus (30Watt PoE+)

Port Configuration

8ports RJ-45 connectors for 10/100/1000Mbps
 (With 8 Port Gigabit PSE/ PoE+ function)

DIP Switch

Support 10Mbps /280m transition function for
 PoE ports (Per port DIP switch control)

Media Access Protocol

CSMA / CD

Network Media

10BASE-T: UTP Cat. 3 or up,
 100BASE-TX: UTP Cat. 5 or up,
 1000BASE-T: UTP Cat. 5 or up

Transmission Method

Store and Forward

MAC Address Table

4K

Built-in Buffer

1.5Mb

Jumbo Frame

9K

Data Transfer Rate

10/100/1000Mbps (Half-duplex),
 20/200/2000Mbps (Full-duplex)

Auto MDI/MDIX

Yes

LED Indicators

Per Port : Link/ACT Status x8
 Per Port: PoE Status x8
 Per Unit: MAX PoE x1
 Per Unit: Power x1

Internal Bus Speed

16Gbps

Environmental & Mechanical Characteristics

Power Type

160 Watt Internal Power Supply

PoE Power Budget

54V for 130Watt (shared) for all PoE ports

Power Consumption

12V for 4.3 Watt (max. with no PoE Device Connected)

PoE Power Output

Up to 30W per port, 54V DC

Power Requirement

AC 100~240V AC, 50-60Hz Auto-sensing

Operating Temperature

0° to 40° C

Storage Temperature

-40° to 70° C

Operating Humidity

10% to 90% non-condensing

Storage Humidity

5% to 90% non-condensing

Dimensions (W x H x D)

265 x 184 x 44 mm

Unit Weight

1.62kg

Certifications

FCC, CE, RoHS-Compliant

Package Contents

Contents

CS-1008G-8P Main Unit	x1
Power Code	x1
Quick Installation Guide Booklet	x1
19" Rack Mount Brackets	x1
Warranty Card	x1