

## CS-1005G-2PD

5 Port 10/100/1000M Gigabit Switch with  
2 Port PoE+ ( 30Watt Power )

EAN Code : 4712757159615



### Introduction

The **CERIO CS-1005G-2PD** is a powerful and complying with IEEE 802.3af/at Power over Ethernet standard which provides **DC 48~57V** Gigabit over Ethernet cables high-performance Gigabit Ethernet switch, with all 5 ports capable of 10/100Mbps or 1000Mbps auto-negotiation operation which means the switch could automatically negotiate with the connected partners on the network speed and duplex mode.

The **CS-1005G-2PD supports 2 Port 10/100/1000M Gigabit port Power over Ethernet (PoE+)** allows you to expand your network via Ethernet cable to where there is no power line or outlet but where you want to fix devices such as APs, IP Cameras or IP Phones, etc.. No longer need to worry about the complicated cables and long distance which may cost you a lot of time and money.

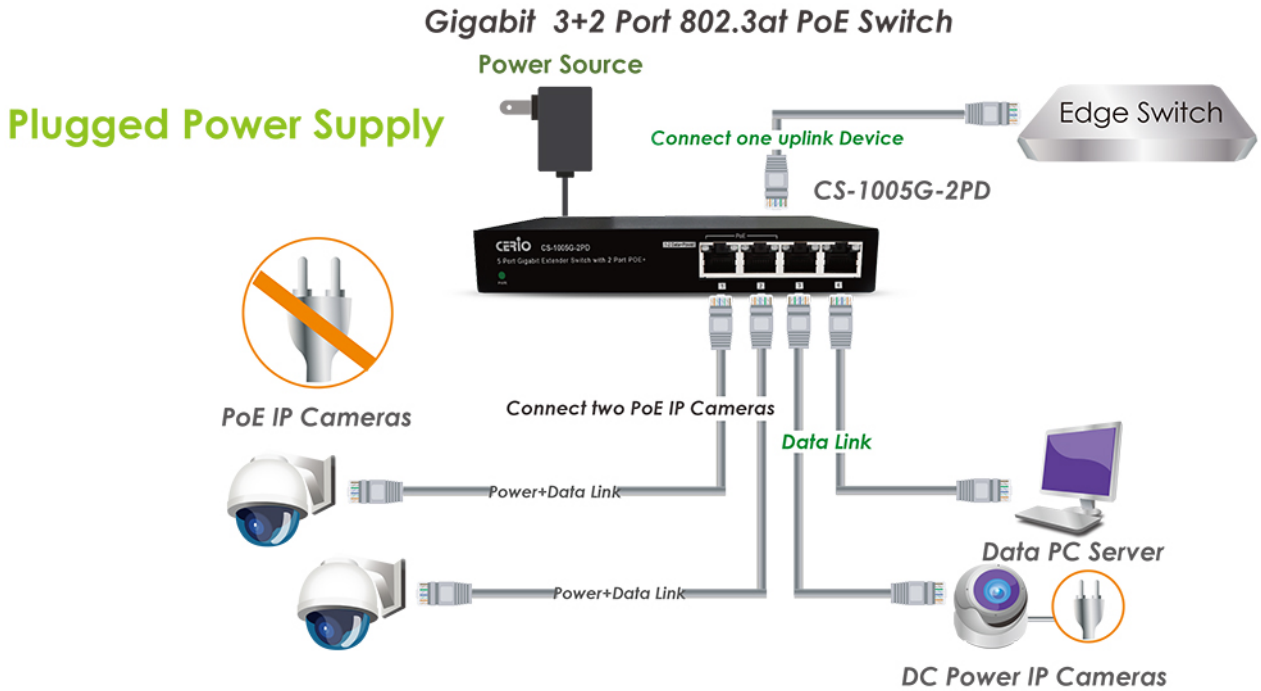
Additional supported to **pass-through PoE power further downstream to one or two Powered Devices (1~2 PSE Port)** and the PoE budget is dependent on the PoE source (802.3af or 802.3at) and the Uplink port PD's PoE Classification. It is ideal to extension the Ethernet network range beyond 100m, delivering both data and power to network devices such as IP CAM 、VOIP Phone with IEEE PoE and Data standards.

### Highlight Features

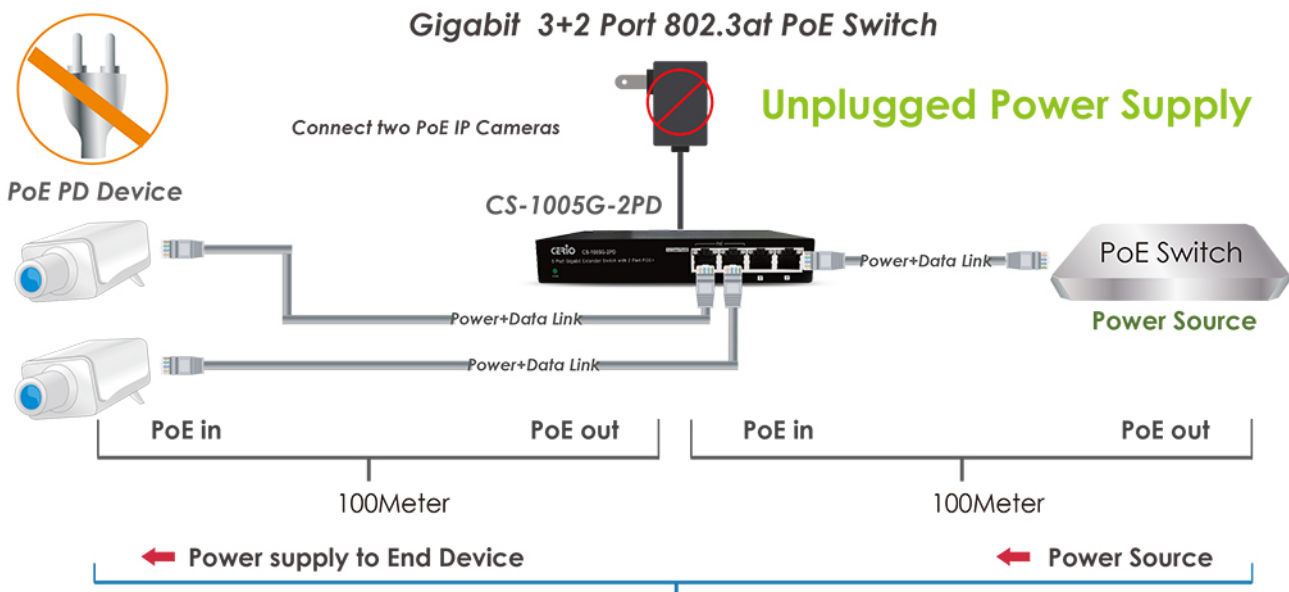
- Complying with IEEE 802.3 10Base-T, IEEE 802.3u 100Base-TX, IEEE 802.3ab 1000Base-T, IEEE 802.3af PoE ,IEEE 802.3at PoE+.
- 5 Ports 10/100/1000Mbps Auto-Negotiation Gigabit Switch, including 2 Ports PSE/ PoE+ function, complying with IEEE 802.3af/at standard.
- Support receive electrical power by Gigabit ethernet uplink port for PoE extension application.
- Supporting the power up to 30Watt/15.4Watt/ 7.5Watt/4Watt for each PSE/PoE+ port with bundle Power Adapter have 30Watt share for 2 PoE ports (Only POE Port 1-2).
- Full/Half-Duplex capability on each TX port .
- Supports Store & Forward architecture and performs forwarding and filtering.
- Auto-learning networking configurations.
- Supporting the flow control: back pressure for Half-duplex and IEEE 802.3x for Full-duplex mode.
- Support Jumbo Frame 9K.
- Non-blocking & Non-head-of-line blocking full-wire speed forwarding.
- Supports TP interface Auto MDIX function for auto TX/RX swap.
- Automatic Source MAC Address Learning and Aging.
- Supports up to 2K MAC addresses.
- Up to 1Mb bits buffer.

**Product Application**

**1. Normally PoE application**

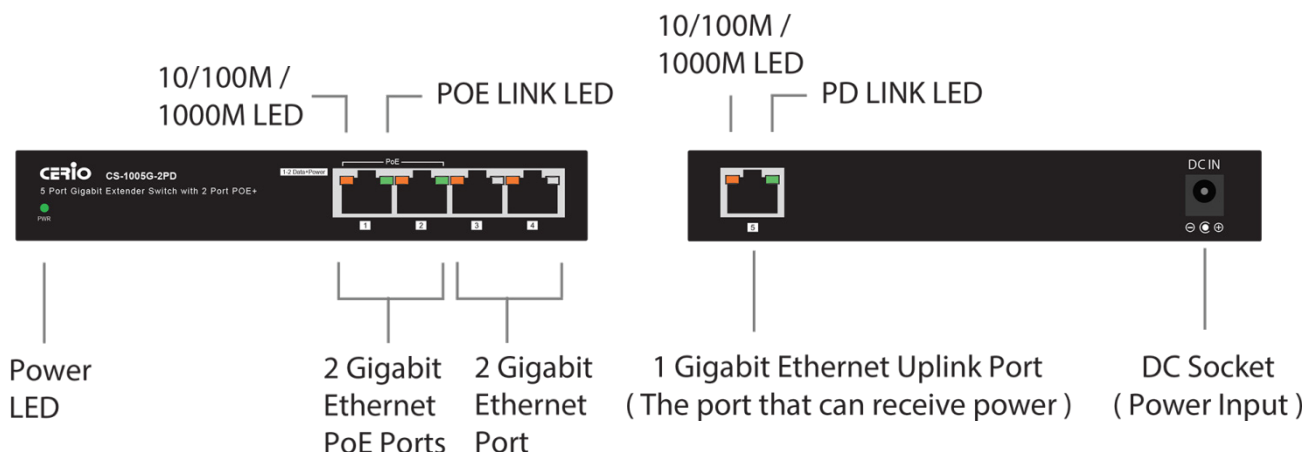


**2. Extension the PoE application**



Double the Power over Ethernet distance = 200Meter

### Hardware Overview



### Standards & Hardware Specifications

#### Network Standards Conformance

- IEEE 802.3 10Base-T
- IEEE 802.3u 100Base-TX,
- IEEE 802.3ab 1000Base-T,
- IEEE 802.3x Flow Control
- IEEE 802.3af Power over Ethernet (PoE)
- IEEE 802.3at Power over Ethernet Plus (PoE+)

#### Port Configuration

5ports RJ-45 connectors for 10/100/1000Mbps  
(With 2 Ports PSE/ PoE+ and Uplink PD Port function )

#### Media Access Protocol

CSMA / CD

#### Network Media

- 10BASE -T: UTP Cat. 3 or up,
- 100BASE-TX: UTP Cat. 5 or up,
- 1000BASE-T: UTP Cat. 5 or up

#### Transmission Method

Store and Forward

#### MAC Address Table

2K

#### Built-in Buffer

1Mb

#### Jumbo Frame

9K

#### Data Transfer Rate

- 10/100/1000Mbps (Half-duplex),
- 20/200/2000Mbps (Full-duplex)

#### Auto MDI/MDIX

Yes

#### LED Indicators

- Per Gigabit Port:(Link/Act): Status x5
- PoE Ports (PSE): Status x2
- Uplink Port (PD): Status x1
- Per Unit: Power x1

#### Internal Bus Speed

10Gbps

### Environmental & Mechanical Characteristics

#### Power Supply

30Watt External Power Adapter or Gigabit Ethernet Uplink Port for PD receive electrical power

#### PoE Power Budget

25.5Watt shared for all PoE Ports

#### Power Consumption

1.5 Watt

#### PoE Power Output

Up to 30W per port (for Ports 1-2 Only )

#### Power Requirement

DC 48~57 Voltage Input or Uplink PD Port Input

#### Operating Temperature

0° to 55° C

#### Storage Temperature

-40° to 70° C

### Operating Humidity

10% to 90% non-condensing

### Storage Humidity

5% to 90% non-condensing

### Dimensions ( W x D x H )

160 x 85 x 25mm

### Unit Weight

0.342kg

### Case of Materials

Metal

### Production Location

TW Only

### Certifications

FCC, CE, RoHS-Compliant

## Package Contents

### Contents

|                                  |    |
|----------------------------------|----|
| <b>CS-1005G-2PD</b> Main Unit    | x1 |
| Quick Installation Guide Booklet | x1 |
| Power Adapter                    | x1 |
| Warranty Card                    | x1 |