

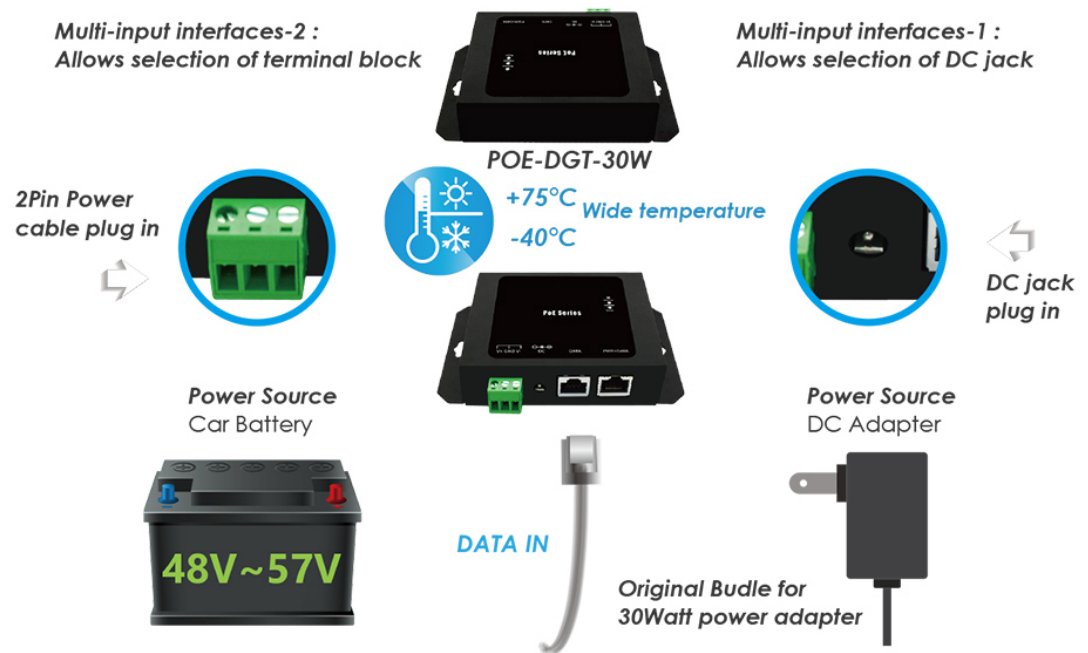
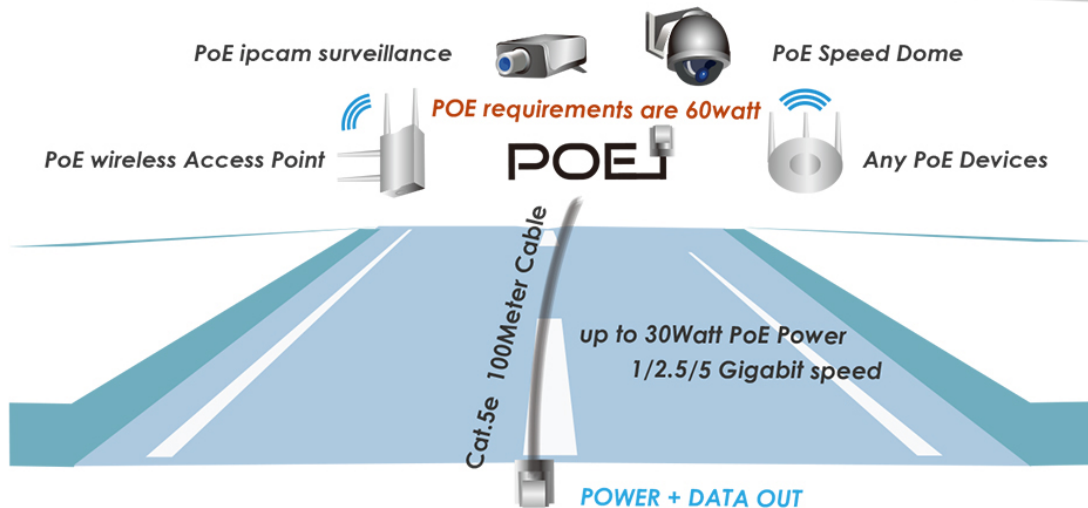
# POE-DGT-30W

**30Watt 10/100/1000M/Multi Gigabit Wide Temperature PoE+ Injector**

EAN Code : 4712757151619



**CERIO POE-DGT-30W** supports IEEE 802.3af/at Power Over Ethernet Standard. It's an Active PoE Multi Gigabit PoE+ Injector supports 2 Ethernet ports and provides DC 48-57V over Ethernet cables. It provides Screw Terminal Block and DC In both Power System. User can select either one to supply power. The max. PoE output power up to 30Watt. The **POE-DGT-30W** can simultaneously transmit network data and power to the PD equipment through the UTP Ethernet Cable transmission. It provides durable and reliable metal casing and wide temperature (-40° ~ 75° C) design, also supports wall-mounting installation, which can meet high-standard industrial environment network construction requirements.



## Highlight Features

- Complying with IEEE 802.3 10Base-T, IEEE 802.3u 100Base-TX, IEEE 802.3ab 1000Base-T, IEEE 802.3bz 2.5G/5G BASE-T, IEEE 802.3at PoE+, IEEE 802.3af PoE standards.
- Supports Multi Gigabit (1/2.5/5Gbps) Ethernet connection ability.
- Auto detect PD power supply is powered by End-span (Type-A) or Mid-span (Type-B) power pin, and LED indicators shows power pin type.
- Supports IEEE 802.3af/at POE standards and PoE max Power up to 30Watt (IEEE 802.3at) bundle with 56V power supply.
- Support PSE / POE Power Over Ethernet function which can provide both data and power for distances of up to 100 meters (328 feet) from the power source when using CAT 5 or up cabling.
- Provide Screw Terminal Block and DC In both Power System. User can select either one to supply power.
- Supports -40° ~ 75° C wide temperature design which can withstand various high and low temperature environmental applications.
- Provides a durable and reliable metal housing design.
- Over Current Protection & Short-circuit Protection.
- Plug-and-Play, requires no configuration.
- Supports desktop, wall mounting installation.

## Functionality

**CERIO POE-DGT-30W** is designed to supply operational power to wireless LAN devices such as PoE access point bridges, routers, and surveillance cameras. It greatly simplifies the wiring and deployment process, and brings a great deal of convenience benefits to office and industrial environments. Moreover, it supports End-span (Type-A) or Mid-span (Type-B) power pin designed, no matter the PD devices is designed Type-A or Type-B all can supply power automatically. The **POE-DGT-30W** With Power over Ethernet devices installed, the system administrator only has to use a single RJ-45 Ethernet cable to carry both power and data to each device. It supports -40° ~ 75° C wide range temperature design provides a comprehensive and cost-effective solution for industrial environments.

## Durable Metal Housing and Wide Temperature Design

**CERIO POE-DGT-30W** provides an industrial durable and high-reliability metal case design and supports a wide range temperature design of -40° ~ 75° C. It supports wall mounting installation, which fully meets the application requirements in various environments. The wide temperature design allows the equipment to operate stably in extremely low and extremely high temperatures, making it the best helper for enterprises.

## Long Distance Application

**CERIO Wide Temperature PoE+ Injector** can provide both data and power for distances of up to 100 meters (328 feet) from the power source when using CAT 5e or up cabling.

## ESD Protection

The **POE-DGT-30W** supports ESD, Electro Static Discharge protection includes Over Voltage protection and Short Circuit Protection ensuring device safety.

## Easy installation

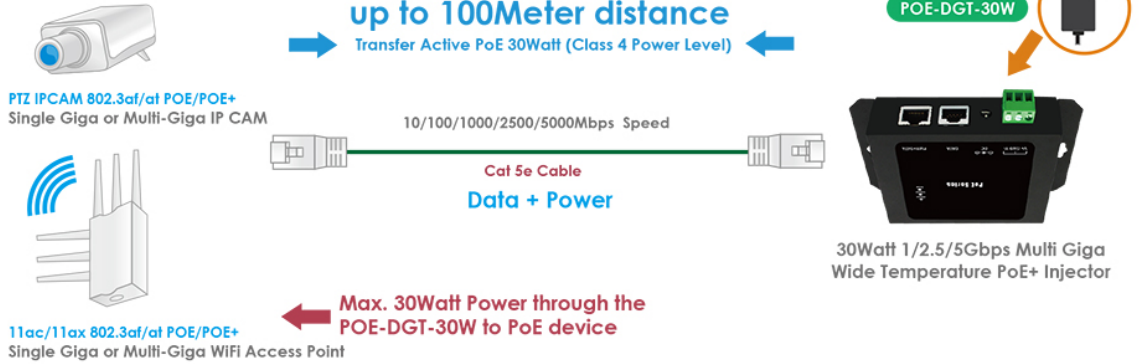
Plug-and-Play, requires no configuration.

### Product Application

#### 48~57VDC Power Supply applied to PoE Output for 802.3at/af Gigabit Device

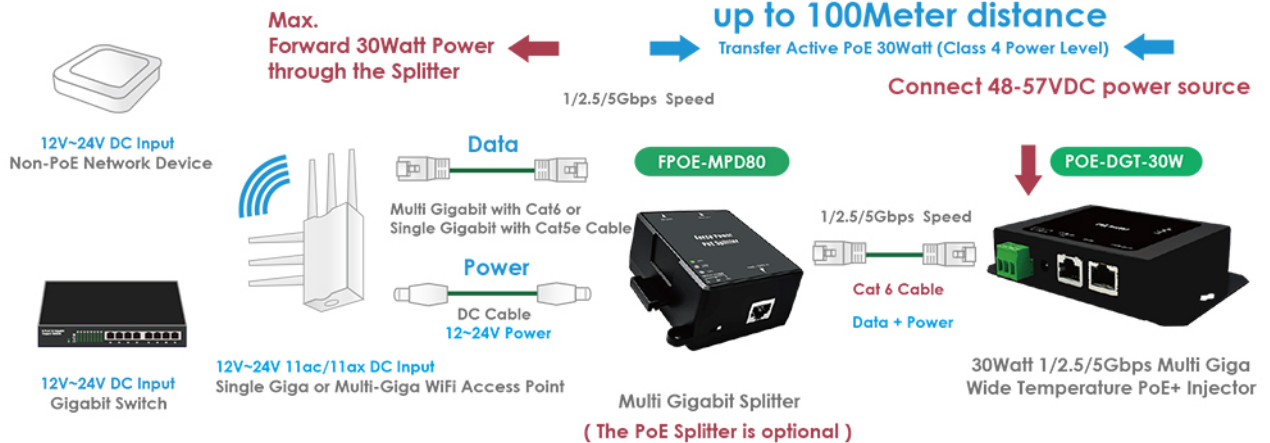
With POE for 1/2.5/5Gbps Multi Gigabit PTZ IP CAM/AP Devices

Connect 48~57VDC Power Supply



#### Active PoE Power Splitter applied to DC Output for 12V-24V Gigabit Device

None POE for 1/2.5/5Gbps Multi Gigabit PTZ IP CAM/AP Device

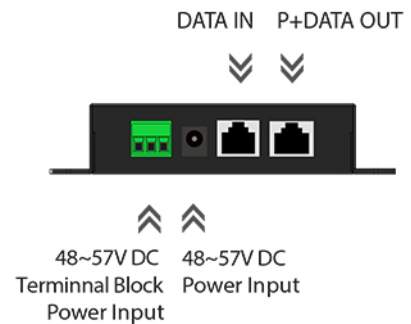


\* The gigabit splitter allows a non compliant device to upgrade to PoE .It is used to deploy remote non-PoE devices with no nearby AC outlets.

### Hardware Overview



PoE Type Display LED  
Midspan(B-Type) / RJ45 4,5,7,8 PIN  
Endspan(A-Type) / RJ45 1,2,3,6 PIN  
Wall Mount Holes



### Standards & Hardware Specifications

Standard
IEEE 802.3 10BASE-T
IEEE 802.3u 100BASE-TX
IEEE 802.3ab 1000BASE-T
IEEE 802.3bz 2.5G/5G BASE-T
IEEE 802.3af Power over Ethernet (PoE)
IEEE 802.3at Power over Ethernet (PoE+)
Network Media
10BASE –T: UTP Cat. 3 or up
100BASE-TX : UTP Cat. 5 or up
1000BASE-T: UTP Cat. 5 or up
2.5G/5G BASE-T : UTP Cat.5e or up
Data Transfer Rate
10M/100M/1G/2.5G/5G (Half-duplex), 20M/200M/2G/5G/10G (Full-duplex)
PoE Type
Active POE
Data PIN
PIN 1/2,3/6 & 4/5,7/8
Power PIN
End-span (Type-A): PIN 1/2,3/6 Mid-span (Type-B): PIN 4/5,7/8
Ethernet Connector
RJ-45 x1 : Data RJ-45 x1 : Power + Data
Power Interface
Output: RJ45 Active 802.3af/at PoE Out Multi Input: DC In or Screw Terminal Block In (STB In)
ESD Protection
Supports ESD (Electro Static Discharge) Over Voltage protection and Short Circuit Protection

### Package Contents

Contents	
POE-DGT Main Unit	x1
30Watt Power Adapter	x1
Warranty Card	x1

### Environmental & Mechanical Characteristics

Max Power Output	30Watt
Power Requirement	56V 30Watt External Power Adapter
Input Voltage	48 ~ 57Volt
LED	
System: Power (Green)	x1
PoE: End-span (Green) , Mid-span (Green )	x2
Operating Temperature	-40° to 75° C
Storage Temperature	-40° to 85° C
Operating Humidity	5% to 90% non-condensing
Storage Humidity	5% to 90% non-condensing
Dimension ( W x D x H )	130 x 82 x 27mm
Weight ( g )	235g
Form Factor	Desktop/Wall mounting installation
Case of material	Metal
Production Location	TW
Certifications	FCC ,CE, RoHs compatible