

FPOE-PD80

4Pair Force Power Gigabit PoE++ Splitter

EAN Code : 4712757159103



Introduction

The **CERIO FPOE-PD80** 4Pair Force Power Gigabit PoE++ Splitter delivers Power over Ethernet to remote devices. **Supports IEEE 802.3af/at standard and compatible with IEEE 802.3bt Power level.** It provides PoE 50-57V Ethernet power + data input to separate to only DC/Power output up to 80Watt and only Ethernet/Data output. **And DC output voltage switchable to 12V or 19V and 24V.** This Force High-Power splitter allows a non-compliant device to upgrade to PoE, it is used to deploy remote non-PoE device with no nearby AC outlets brings lots of convenient.

Highlight Features

- Complying with IEEE 802.3 10Base-T, IEEE 802.3u 100Base-TX, IEEE 802.3ab 1000Base-T, IEEE 802.3af, IEEE 802.3at standard and compatible with IEEE 802.3bt Power level.
- Supports 10/100/1000Mbps Gigabit Ethernet.
- It can use to connect non-PoE compliant devices to an PoE injector or PoE switch.
- Supports Output Voltage hot switching for 12VDC/19VDC/24VDC three range adjustable.
- Max Power Output after split power & data : 80Watt(24V) 、 75Watt(19V) and 50Watt(12V). (Please refer to below Force Power POE Product Matching List)
- Supports Ethernet PoE to Separate to only DC/Power and only Ethernet/Data.
- Bundle accessories for inside diameter 2.1 mm(PHY) to 2.1 (PHY) mm DC cable.
- LED indicators for DC output voltage display of 12V/19V/24V.
- Supports desktop or wall mounting installation and multiple units combination for easy to bundles organize the Ethernet cables.

Functionality

CERIO FPOE-PD80 uses the latest hardware hot-switching protection design, which can effectively prevent the fault caused by instantaneous switching of different voltage. The device will not cause any damage while changing the voltage output during operation. It provides DC 12V or 19V or 24V needs for any network or non-network equipment through DC to DC Cable which is included with package. Using the Gigabit PoE++ Splitter, you can take advantage of Power Over Ethernet and place Fast/Giga Ethernet-enabled products, such as latest WiFi 6 generation 802.11ax WiFi AP, PoE IP Speed Dome PTZ CAM, industrial PC and remote digital signage display where power outlets are not readily available.

Long Distance Application

The Cerio 4Pair Force Power Gigabit PoE++ Splitter is able to split the PoE signal into separate data and power sources up to total 100Meters (328 feet)with suggest use a Cat 6 Ethernet cable to meet 100Meters PoE distance.

ESD Protection

CERIO FPOE-PD80 supports ESD, Electro Static Discharge protection includes Over Voltage protection and Short Circuit Protection ensuring device safety.

Additional Benefits

Some additional benefits of **FPOE-PD80** include cost saving, high power splitter application in network planning and provide high flexible & reliability.

Easy installation

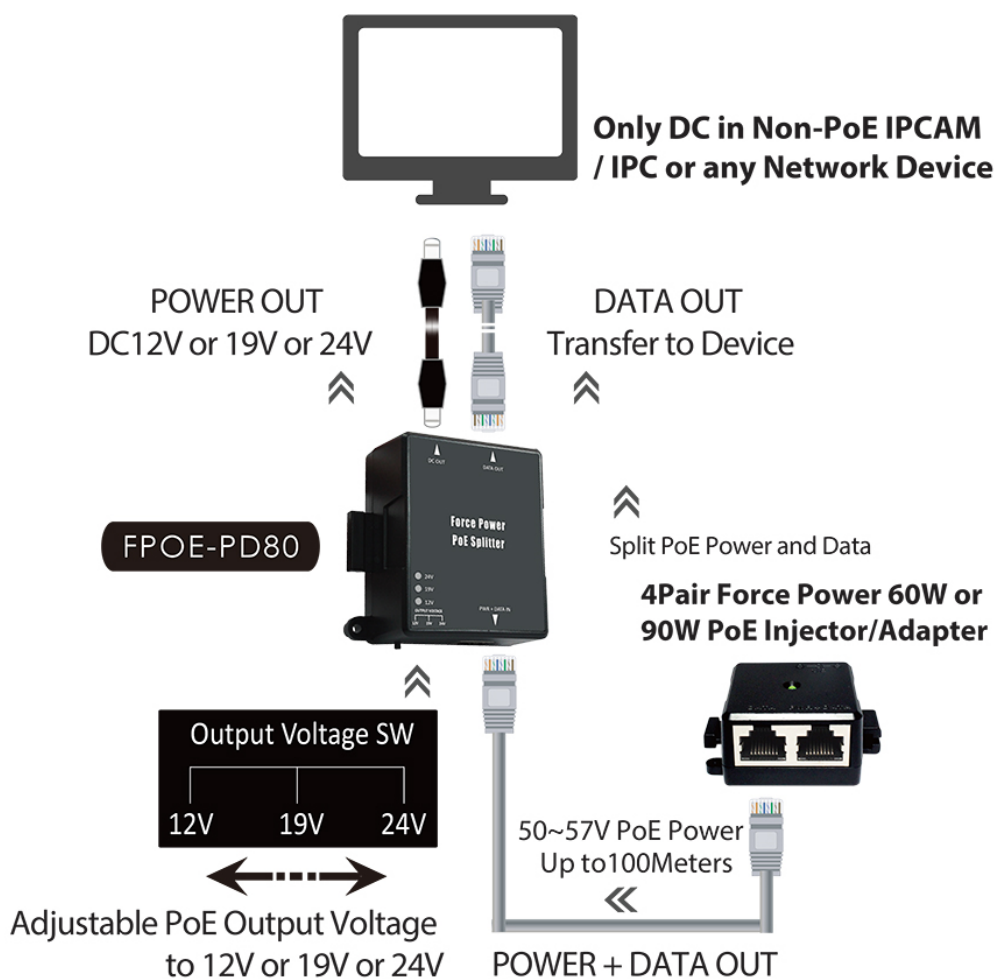
Simple Plug-and-Play, requires no configuration.

Force Power POE Product Matching List

Force Power POE Splitter Product Series	Force Power POE Injector Product Series	Max Power Output after split power & data
Force Power POE Splitter Product Series FPOE-PD80 FPOE-MPD80	90Watt POE Injector Series FPOE-PE-E90 FPOE-MG-E90 FPOE-DXG-90W	80Watt (DC 24V Output) 75Watt (DC 19V Output) 50Watt (DC 12V Output)
	60Watt POE Injector Series FPOE-PE-60W FPOE-MG-60W FPOE-DXG-60W	55Watt (DC 24V Output) 50Watt (DC 19V Output) 45Watt (DC 12V Output)

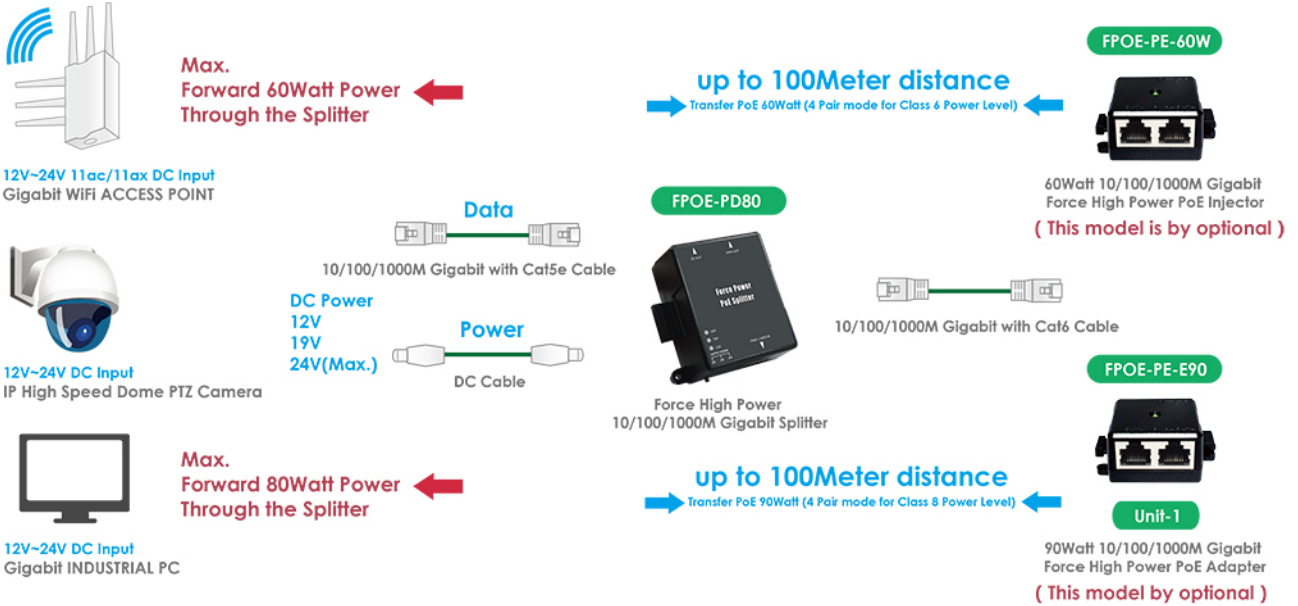
* When the power to be requested is more than 802.3at Class 4 30Watt power, please use the recommended POE Injector selected above as your power source.

Product Application



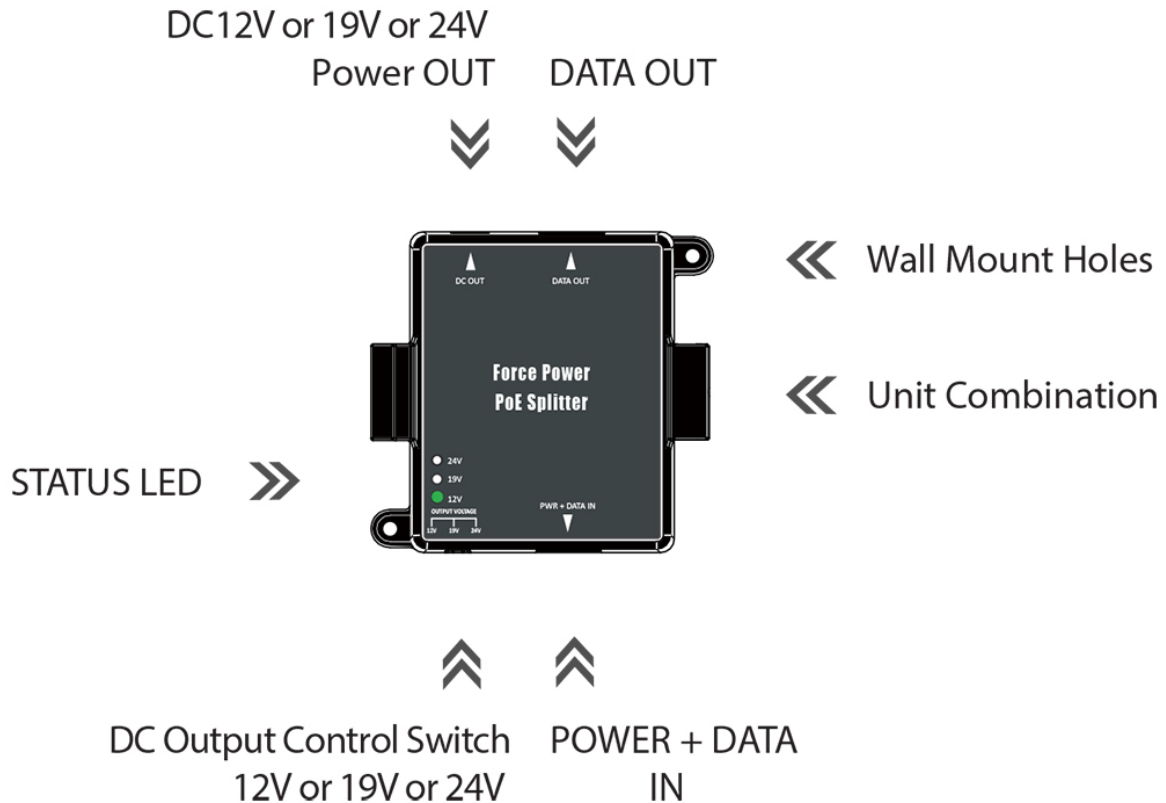
Force Power PoE Splitter for split Power & Data

Cerio Force High Power Gigabit Splitter applied to Non-PoE devices from 12V to 24VDC



* The force high power splitter allows a non compliant device to upgrade to PoE ,It is used to deploy remote non-PoE devices with no nearby AC outlets.

Hardware Overview



Standards & Hardware Specifications

Standard
IEEE 802.3 10BASE-T
IEEE 802.3u 100BASE-TX
IEEE 802.3ab 1000BASE-T
IEEE 802.3af Power over Ethernet (PoE)
IEEE 802.3at Power over Ethernet (PoE+)
Compatible to IEEE 802.3bt Power Level (PoE++)
Network Media
10BASE-T: UTP Cat. 3 or up
100BASE-TX : UTP Cat. 5 or up
1000BASE-T: UTP Cat. 5 or up
Data Transfer Rate
10/100/1000Mbps (Half-duplex), 20/200/2000Mbps (Full-duplex)
Data PIN
PIN 1/2, 3/6 & 4/5, 7/8
Power PIN
End-span (Type-A): PIN 1/2,3/6 ; Mid-span (Type-B): PIN 4/5,7/8
Data In
Connects PC/HUB/Switch
Ethernet Connector
RJ-45 x1 for Power + Data input RJ-45 x1 for Data output
Power Interface
Output : DC-Jack Out Input : RJ45 POE In
ESD Protection
Over Voltage protection and Short Circuit Protection

Package Contents

Contents	
FPOE-PD80 Main Unit	x1
Inside diameter 2.1 (PHY) mm DC to DC cable	x1
Quick Installation Guide	x1
Warranty Card	x1

Environmental & Mechanical Characteristics

Max Power Output
80Watt (DC 24V Output) 75Watt (DC 19V Output) 50Watt (DC 12V Output)
Power Requirement
50~57V PoE Power Source
PoE Input Voltage
50V~57V
DC Output Control Range
12V/19V/24V three range adjustable by DIP switch
DC Output Current (Max)
24V/3.33A , 19V/3.94A, 12V/4.17A
Cable and Current-Resistance Loss
DC 24V @ 100Meter : 12.50% with Cat.6 Cable DC 19V @ 100Meter : 13.33% with Cat.6 Cable DC 12V @ 100Meter : 14.00% with Cat.6 Cable
LED Indicators
Voltage Output LED x3 : 12V or 19V or 24V
Operating Temperature
0° to 55° C
Storage Temperature
-40° to 70° C
Operating Humidity
10% to 90% non-condensing
Storage Humidity
5% to 90% non-condensing
Dimension (W x D x H)
84.5 x 80 x 39.5mm
Weight (g)
99.8g
Case of material
ABS
Production Location
TW Only
Certifications
FCC ,CE, RoHs compatible