

FPOE-MPD80

4Pair Multi Gigabit PoE+ Splitter

EAN Code : 4712757159134



Introduction

The **CERIO FPOE-MPD80** delivers Power over Ethernet (Fast Ethernet /Giga Ethernet/Multi Giga Ethernet) to remote devices. **Supports IEEE 802.3at / 802.3af Active POE+ and Passive POE+ Power over Ethernet design.** It provides PoE 44~57V Ethernet power + data input to separate to only DC/Power output and only Ethernet/Data output. **Supports DC output voltage 12V, 19V and 24V via DIP switch three range adjustable.**

Highlight Features

- Complying with IEEE 802.3 10Base-T, IEEE 802.3u 100Base-TX, IEEE 802.3ab 1000Base-T, IEEE 802.3bz 2500/5000BASE-T, IEEE 802.3at PoE+ / 802.3af PoE.
- Supports 1/2.5/5Gbps Multi Gigabit Ethernet.
- The **FPOE-MPD80** PoE splitter can use to connect non-PoE IEEE 802.3at /802.3af compliant devices to PoE+ injector or PoE+ switch.
- Supports Output Voltage hot switching for 12VDC/19VDC/24VDC three range adjustable.
- In the case of IEEE 802.3af/at active POE configuration, the maximum power output up to 27Watts and in the case of passive POE configuration, the maximum power output up to 80Watt (24V), 75Watt (19V) and 50Watt (12V) after split power and data.
- Supports Ethernet PoE to Separate to only DC/Power and only Ethernet/Data.
- Bundle accessories for inside diameter 2.1 mm (PHY) to 2.1 (PHY) mm DC cable.
- LED indicators for Power function enable and DC output voltage display of 12V/19V/24V.
- Supports desktop or wall mounting installation and multiple units combination for easy to bundles organize the Ethernet cables.

Functionality

CERIO FPOE-MPD80 uses the **latest hardware hot-switching protection design**, which can effectively prevent the fault caused by instantaneous switching of different voltage. The device will not cause any damage while changing the voltage output during operation. It provides DC 12V or 19V or 24V needs for any network or non-network equipment through DC to DC Cable which is included with package. Using the Cerio PoE+ Splitter, you can take advantage of Power Over Ethernet and place Fast/Giga Ethernet-enabled products, such as Wireless Access Points, Network Cameras, and VoIP Phone where power outlets are not readily available.

Long Distance Application

The PoE Splitter supports Multi Gigabit Ethernet PoE Powered Device. It's able to split the PoE signal into separate data and power sources up to total 100Meters (328 feet). It suggests to use a Cat 5e Ethernet cable to meet 100Meters PoE distance.

ESD Protection

CERIO FPOE-MPD80 supports ESD, Electro Static Discharge protection includes Over Voltage protection and Short Circuit Protection ensuring device safety.

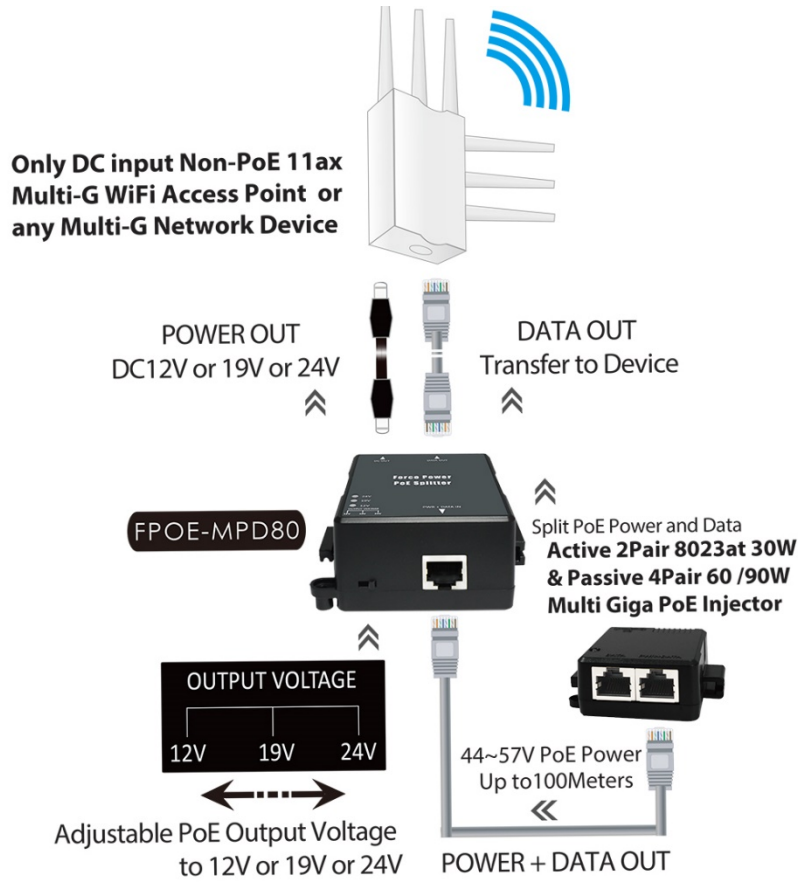
Additional Benefits

Some additional benefits of Cerio PoE+ splitter include cost saving, small pocket size and convenience in network planning, and higher reliability.

Easy installation

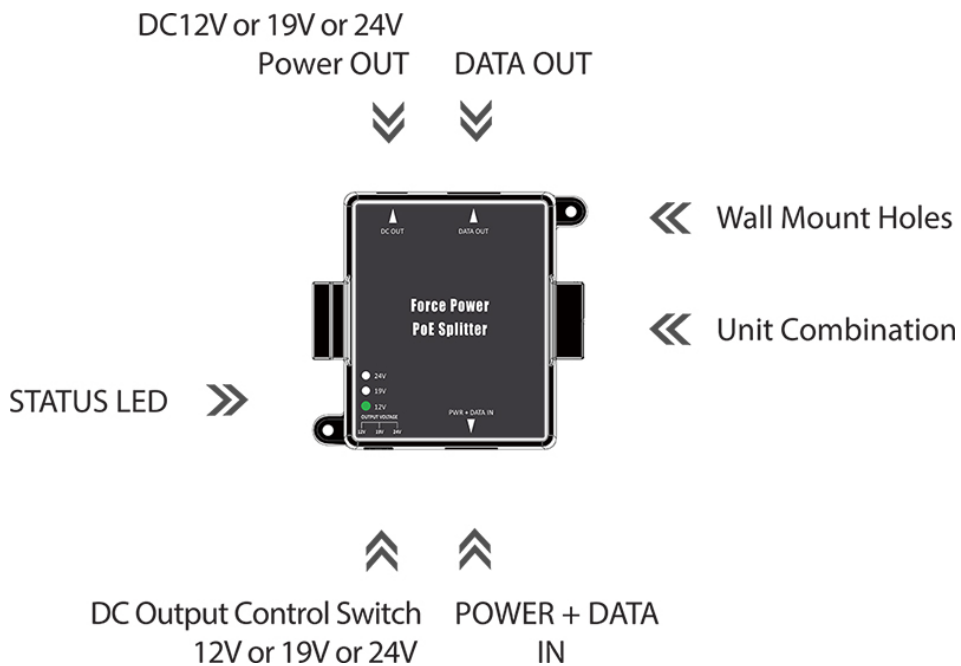
Simple Plug-and-Play, requires no configuration.

Product Application



PoE Splitter for split Power & Data

Hardware Overview



Standards & Hardware Specifications

Standard

IEEE 802.3 10BASE-T
 IEEE 802.3u 100BASE-TX
 IEEE 802.3ab 1000BASE-T
 IEEE 802.3bz 2500/5000BASE-T
 IEEE 802.3at Power over Ethernet (PoE+)
 IEEE 802.3af Power over Ethernet (PoE)

Network Media

10BASE-T: UTP Cat. 3 or up
 100BASE-TX: UTP Cat.5 or up
 1G/2.5G/5GBASE-T : UTP Cat.5e or up

Data Transfer Rate

10M/100M/1G/2.5G/5G (Half-duplex),
 20M/200M/2G/5G/10G (Full-duplex)

Data PIN

PIN 1/2, 3/6 & 4/5, 7/8

Power PIN

End-span (Type-A): PIN 1/2,3/6 ;
 Mid-span (Type-B): PIN 4/5,7/8

Data In

Connects PC/HUB/Switch

Ethernet Connector

RJ-45 x1 for Power + Data input
 RJ-45 x1 for Data output

ESD Protection

Over Voltage protection and Short Circuit Protection

Package Contents

Contents

FPOE-MPD80 Main Unit	x1
Inside diameter 2.1mm(PHY) to 2.1mm DC Cable	x1
Warranty Card	x1
Quick Installation Guide	x1

Environmental & Mechanical Characteristics

Max Power Output

Active POE 802.3at : Up to 27Watts
 Passive POE : Up to 80Watts

Power Interface (Output)

DC-Jack : Output to any none PoE 12V or 19V or 24V
 DC in device

Power Requirement

Standard Active 802.3af/at PoE Power Source or
 Non-standard Passive Max to 90W PoE Power Source

PoE Input Voltage

44V~57V

DC Output Control Range

12V/19V/24V three range adjustable by DIP switch

DC Output Current

Max 12V/4.17A , 19V/3.94A, 24V/3.33A

LED Indicators

DC Output LED x3 : 12V or 19V or 24V

Operating Temperature

0° to 55° C

Storage Temperature

-40° to 70° C

Operating Humidity

10% to 90% non-condensing

Storage Humidity

5% to 90% non-condensing

Dimension (W x D x H)

84.5 x 80 x 39.5mm

Weight (g)

100.2g

Case of material

ABS

Production Location

TW

Certifications

FCC ,CE, RoHs compatible