

DR-4000

Multi WAN Gigabit VPN Gateway

EAN Code : 4712757150186



Introduction

CERIO DR-4000 is a high-performance, multi-functional Multi WAN Gigabit VPN Gateway. The features including network security, SPI(Stateful Packet Inspection)firewall protection, policy auditing (such as content filtering, VPN tunnel and MAC/IP filtering), captive portal login authentication and RADIUS authentication capabilities. Moreover, it supports multiple WAN ports, allowing users to perform load balancing or failover for enhanced network efficiency. It is designed specifically for organizations with multifunctional, high-efficiency, and comprehensive networking needs. Whether the company's network architecture involves on-premises servers or outsourced cloud-based servers, the CERIO DR-4000 is an ideal VPN security gateway device solution for small to medium-sized enterprises seeking robust networking capabilities.

The **CERIO VPN Gateway** is highly suitable for deployment in environments that require high reliability, efficiency, security, and throughput, such as corporate offices, government agencies, and public venues. It features IP gateway routing functionality, authentication gateway, high availability (HA) redundancy, VPN functionality, multiple WAN ports, QoS bandwidth management, an integrated functional Radius server for authentication and firewall capabilities. Hotspot technology allows Internet providers to offer Internet access to customers, while applying certain Internet use rules and limitation. Whether for offices, hotels, airports, schools, or other commercial establishments, it allows real-time monitoring of each user's online activity, including usage time, data sent/received, real-time accounting and more enabling administrators to conduct audits efficiently.

Strong Hardware VPN Engine

CERIO's DR-4000 Multifunction VPN Gateway is an easy-to-use, flexible, high-performance device well suited for small businesses. It provides comprehensive data security and privacy for accessing and exchanging sensitive and confidential information, supporting multiple VPN protocols including IPSec, PPTP, L2TP over IPSec, and VPN P2P. With website filtering functionality, it offers safer, more flexible, and more robust network connectivity for small to medium-sized offices, branch offices, and remote employees. It is particularly well-suited for deployment in small to medium-sized enterprise network environments.

Multi-WAN Supported

It supports up to 3 WAN ports, providing automatic traffic balancing, bandwidth optimization, automatic failover mechanisms, and increased bandwidth capacity. Through multiple WAN ports, it offers real-time load balancing and optimal routing algorithms. For companies hosting their own web servers, one WAN port can handle external HTTP port 80, while the internal network uses a second WAN port. This setup provides a simple and secure network segregation. With real-time load balancing and Optimum Route algorithm, **DR-4000** intelligent router engine directs each session or connection to the best available link. It also supports policy-based routing, persistent routing, and traffic scheduling to effectively adapt your business policy into your network policy.

Bandwidth Allocation and Management Mechanism

As broadband usage proliferates coupled with the alarming rise of file sharing trend, in certain cases, it is important to assign quota for user bandwidth consumption, particularly in the education institutions, hot spots, or in a community with shared Internet access provider subsystem. **DR-4000** supports two different quota mechanisms: prepaid and periodical, in order to meet different real-life business needs. The quota system can also be integrated with external accounting and billing systems. By traffic setting size and filtering mechanism, **DR-4000** optimizes bandwidth utilization and ensures the best transmission quality for the transfer of mission-critical data. The bandwidth management mechanism includes limiting allocation based on IP sessions, as well as providing individual and specific IP range-based controls. It encompasses appropriate upstream and downstream bandwidth control for SIP/RSTP/RTP/Web modes, ensuring smooth network performance overall.

Excellent Protective Capability

The **DR-4000** has a built-in SPI (Stateful Packet Inspection) firewall and supports specific Layer-7 protocols such as VoIP protocols (H.323 and SIP), video conferencing, and various IM protocols. In terms of content filtering, it supports IP/MAC filtering and can filter or scan through Layer-7 application layers. It has a built-in policy-based DoS/DDoS firewall protection, offering efficient and comprehensive protection against hacker attacks, thus enhancing network security.

Multiple Authentication Methods

It offers multiple authentication methods to meet the needs of various enterprises. The web authentication feature supports remote RADIUS servers, local users (supports creation of 10 local users), third-party OAuth 2.0 (ex. Google, Facebook login), POP3 servers, LDAP (AD) account authentication, remote MAC batch authentication, and guest access. It also supports web authentication Captive Portal, providing diverse authentication methods to meet the requirements of numerous users.

Account and Password Voucher Control Output Functionality.

By purchasing the **SP-800-PRINTER** (optional) account voucher printer POS system (network control server + thermal printer) and use it with built in Radio Server function, you can quickly select and print account and password vouchers for authenticated personnel using a controller. This feature is a great benefit for both the image and network security of the company, especially for one-time visitors.

Time Scheduling

The built-in time policy supports daily scheduling with up to 300 detailed time slot rules. These rules can be applied to advanced features, including timed activation of IP/MAC filtering and virtual server access control based on open ports, enabling time-based restrictions for allowing or disallowing access. For example, if the mail server's port 25 is targeted by bots resulting in prolonged IP lockouts and continuous malicious attempts to log in. Therefore, use this function to make necessary port arrangements and allow multiple changes in the access interval to reduce daily malicious attacks and the possibility of IP paralysis.

Ping Watchdog

Supports Ping Watchdog for automatic monitoring and can be configured for repeated reboots to ensure operation. Administrators don't need to worry about network crashes, and it also supports Auto Reboot by scheduling. Administrators can set to automatically reboot daily, weekly, or monthly as per their requirements.

Wake-on-LAN

Supports Wake-on-LAN function to wake up specified network members based on their MAC addresses. Administrators can schedule automatic wake-up for these devices daily, weekly, or monthly according to their needs.

Wired and Wireless Seamless Compatibility

It supports deploying wireless access points and is compatible with any wireless access point. By utilizing the DR-4000, both wired switch users and wireless AP users can seamlessly establish a secure authentication login environment.

Supports DC In and PoE In

In addition to providing DC In power input, it also supports PoE input allowing the device to receive both network data and power signals through a UTP cable. This meets the needs of long-distance cabling, eliminating the need for traditional power outlets and simplifying the construction of your network environment.

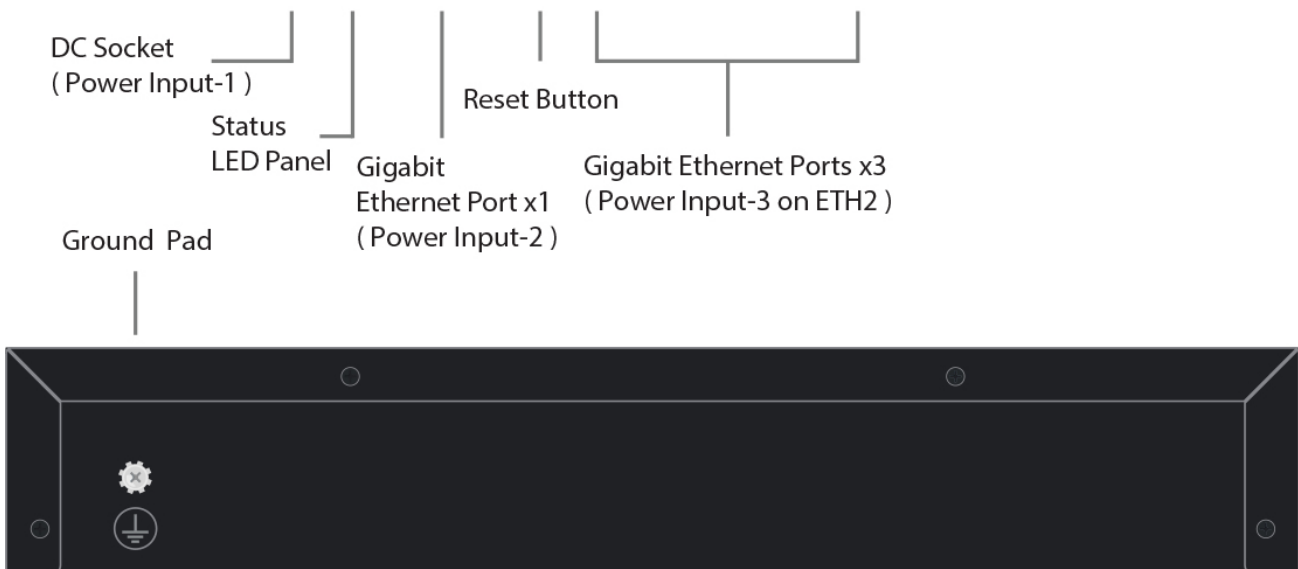
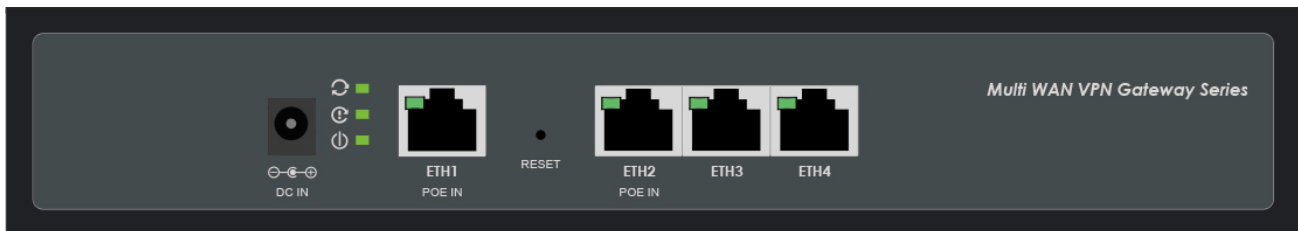
Software Specifications

<p>Authentication Function</p>	<ul style="list-style-type: none"> Authenticate Capability: Up to 400 wireless or wired network users simultaneously Places with high load capacity such as corporate office, units, public places, etc. A maximum of 400 users can be connected simultaneously. It has IP gateway routing function and authentication gateway function. Provide Radius Server account up to 4000 The DR-4000 series built in RADIUS Server function and able to create accounts (Local account) for a total of 4,000 accounts, providing centralized control and security for wired and wireless deployments.
<p>Bandwidth Management</p>	<ul style="list-style-type: none"> IEEE802.11p Class of Service/Quality of Service (CoS /QoS). IEEE802.11e Wi-Fi Multimedia (WMM). Differv Codpoint (DSCP). Traffic Analysis and Statistics. Diff/TOS. IEEE 802.1Q Tag VLAN priority control. IGMP Snooping for efficient multicast delivery. Upload and Download Traffic Management. IP-based Bandwidth Limit. Session Limit Per IP.
<p>Authentication</p>	<ul style="list-style-type: none"> Authentication: single sign-on (SSO) client with authentication integrated into the local authentication environment through local/domain, LDAP(AD), PoP3, RADIUS, 802.1x and Guest. Authentication Type. <ul style="list-style-type: none"> IEEE802.1X (EAP,LEAP,EAP-TLS,EAP-TTLS,EAP-GTC,EAP-MD5).

	<ul style="list-style-type: none"> ○ RFC2865 RADIUS Authentication. ○ RFC3579 RADIUS Support for EAP. ○ RFC3748 Extensible Authentication Protocol. ○ MAC Address authentication. ○ Web-based captive portal authentication.
Built in Radius Server functions	<ul style="list-style-type: none"> ● Provides billing plans for pre-setting / on-demand function. ● Enables session expiration control for On-demand accounts by time (Hours) and data volume (MB). ● Detailed per-user traffic history based on time and data volume for both local and on-demand accounts. ● Support local on-demand and external RADIUS server. ● Contain 10 configurable billing plans for on-demand accounts. ● Provide session expiration control for on-demand accounts. ● Support automatic email network traffic history.
Load Balancing	<ul style="list-style-type: none"> ● WAN port bandwidth load balancing. ● Outbound redundancy. ● Outbound load balancing. ● Bandwidth management by traffic, either individually or across different networks. ● WAN connection detection.
VPN	<ul style="list-style-type: none"> ● IPsec (LAN to LAN and Client to LAN). ● PPTP (PPTP Server with client). ● L2TP over IPsec (L2TP Server over IPsec with client). ● VPN P2P (VPN Server with peer). ● IPsec Encryption : AES128,AES192,AES256,3DES. ● PPTP Encryption : MPPE40,MPPE128. ● VPN P2P Encryption : Blowfish,AES,3DES and RSA certificate public key. ● Ipsec Authentication: MD5,SHA1, SHA2-256. ● IKE Authentication : Pre-Shared Key.
Firewall	<ul style="list-style-type: none"> ● Active Firewall Session 100000. ● Built-in DoS Attack Defense. ● OSI Layer 7 Protocol Blocking. ● Supports packet filtering, MAC filtering and IP filtering. ● Access Control List : TCP 、 UDP 、 ICMP 、 Content Filter 、 Domain Filter 、 IP P2P 、 IM.
Network	<ul style="list-style-type: none"> ● Support static IP, Dynamic IP (DHCP Client), PPPoE and PPTP on WAN connection. ● Supports a total of 16 VLANs, with each VLAN service area having its own DHCP server. It supports multiple DHCP networks. The DHCP server includes DHCP Relay, Bind-IP-MAC, and DDNS server. ● Routing protocols : Static Route 、 OSPF 、 RIP 、 Distribute OSPF over RIP 、 Distribute RIP over OSPF. ● 802.1q VLAN Tagging, with support for configuring up to 4096 VLAN Tags.

<p>System Management</p>	<ul style="list-style-type: none"> • Support HA (High Availability) backup function. • SNMP v2c, v3 and SNMP Trap etc. • System Log: System Event Log. • Supports RTC (Real Time Clock) time memory and NTP server time synchronization • Administrative Access : HTTP, HTTPS, Telnet, SSH. • Remote firmware upgrade (via Web), configuration file import and export functionality. • Supports Auto Reboot and Wake on LAN (WOL) automatic network wake-up. • Jumbo Frame : Can be enabled or disabled to determine whether all physical Ethernet ports use Gigabit 9K Jumbo Frame as the primary packet transmission format.
<p>Log</p>	<ul style="list-style-type: none"> • Local System Log. • Session Log. • Authentication Log.
<p>Operation Mode</p>	<ul style="list-style-type: none"> • Router Mode Supports as a single WAN router or with multi-WAN load balancing, supporting up to 3 WANs. • Captive Portal Mode When switching to Captive Portal mode, the authentication mechanism remains the same as for hotspot authentication (In this mode without Router function).

Hardware Overview



Standards & Hardware Specifications

CPU Clock Speed

Quad-core 1.2Ghz CPU

Ethernet Configuration

4 Gigabit Ethernet Port , support 3 type WAN Mode :

1WAN + 3LAN

2WAN + 2LAN

3WAN + 1LAN

Reset Button

Reset to the factory default

Grounding Port

Metal case design supports surge grounding and grounding port

LED Indicators

PWR	x1
ON LINE	x1
FAIL	x1
ETH1 (PoE In)	x1
ETH2 (PoE In)	x1
ETH3	x1
ETH4	x1

VPN & Network Specifications

Operation Mode

Router Mode

Captive Portal Mode

NAT Throughput

Max. 930Mbps

VPN Throughput

Max. 60Mbps on IPsec

VPN Tunnels (LAN to LAN)

Max. 20

VPN Tunnels (LAN to Client)

Max. 60

NAT Session

Max.100,000

Routing Protocol

Static Route / Open Shortest Path First (OSPF) & Routing Information Protocol (RIP)

Load Balancing

IP based, Session based

Environmental & Mechanical Characteristics

Operating Temperature

0 °C ~ 40 °C

Storage Temperature

-40 °C ~ 75°C

Operating Humidity

10% - 90% Non-Condensing

Storage Humidity

5% - 90% Non-Condensing

Form Factor

Desktop, 19-inch rack installation

Power Consumption

7.5Watt (Standby)

Power Requirement

802.3at 52~57V PoE In or DC Jack 12~56 VDC In

Dimensions (W x H x D)

250 x 172 x 44mm

Weight(kg)

1.17kg

Case of Material

Metal case

Production Location

TW

Certifications

FCC, CE, RoHS Compliant

Package Contents

Contents

DR-4000 Main Unit	x1
Ethernet cable	x1
Power Adapter	x1
19" Rack Mount Brackets	x1
Warranty Card	x1

DR-4000 Series

Model no	Description
DR-4000	Multi WAN Gigabit VPN Gateway
DR-4000-CA	Multi WAN Gigabit AP Controller with Gateway Router