

ANT-15AQ

5GHz 4x4 Outdoor IP68 Wide Rang Directional
15dBi Panel Pole/Wall Mount Antenna

EAN Code : 4712757151107



Introduction

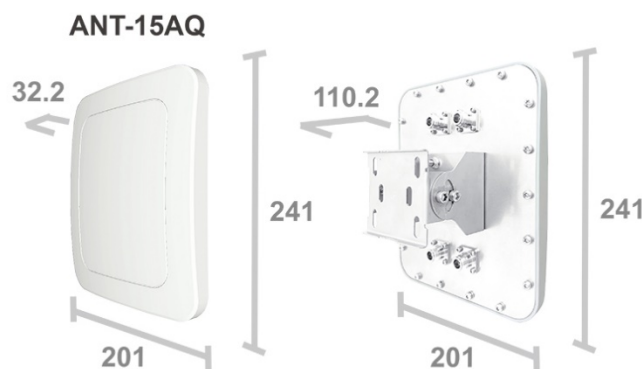
The CERIO ANT-15AQ 5GHz 4x4 Outdoor Wide Rang Directional 15dBi Panel Antenna supports 5.1 to 5.9 GHz and provides superb performance in IEEE 802.11a/an/ac/ax Wi-Fi environment. It supports pole and wall mounting installation and constructed with highly UV-resistant PC material (PC-122U) combined with aluminum alloy to achieve a high-sealing **IP68 waterproof design**. All materials are considered good in water tightness and prevention of rust characteristics.

The **ANT-15AQ** 5GHz 4x4 outdoor directional Dual Polarization Panel Antenna provides polarized dual-signal characteristics, allowing multiple antenna applications for 11ac/ax 4T4R MIMO. The user only uses one set of **ANT-15AQ** Dual Polarization antenna with 4 sets of N-Type connectors for connection with low-attenuation RF cables and WiFi AP to complete 11ac/ax 4T4R MIMO applications that require multiple antennas. The perfect solution for faster, longer distances with 11ac/ax 4T4R MIMO multi-radio reception and wireless transmission.

Highlight Features

- Supports 5Ghz 5.1~5.9Ghz IEEE 802.11a/an/ac/ax.
- High Gain: 15dBi.
- **Vertical installation:**
Horizontal beam 35°, Vertical beam 65°
- **Horizontal installation:**
Horizontal beam 65°, Vertical beam 35°
- Wide coverage up to 65°, in contrast to the limitations of narrow-angle directional antennas, effectively enhances the WiFi signal directionality. Solve the difficult long-distance transmission problem of 360° Omni antennas.
- High performance.
- IP68 waterproof protection rating, suitable for applications in various weather conditions.
- Beaufort scale 17 wind load test certificated.
- Polarized dual-gender design and supports four N-Type (Female) connectors.
- Packaging includes SUS304 stainless steel single-axis adjustable mounting bracket (OW-PKUR).
[\(Please refer to the detailed specifications of OW-PKUR\)](#)
- High-sealing structure with UV resistance, high-temperature durability, combines aluminum alloy and stainless steel materials, ensuring weather resistance and extended lifespan.

Hardware Overview & Dimension

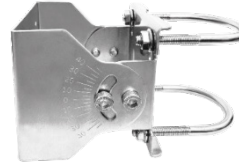


Main Unit Dimension : 241 * 201 * 32.2mm (L x W x H)
Mounting Bracket : 81 * 85 * 78 mm (L x W x H)
Weight : 797g / 1.08kg (Including OW-PKUR bracket)

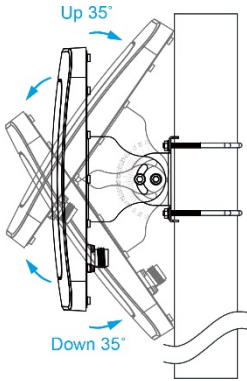
Adjustable Mounting Bracket Installation (OW-PKUR)



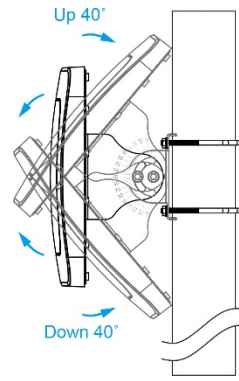
Adjustable bracket match SUS304 Hose Clamp
Available inside diameter : $\varnothing 30 - \varnothing 90\text{mm}$



Adjustable bracket match SUS304 M6 U-bolt
Available inside diameter : $\varnothing 34\text{mm} - \varnothing 54\text{mm}$



Panel Vertical Installation:
Upward and Downward
Max. 35°



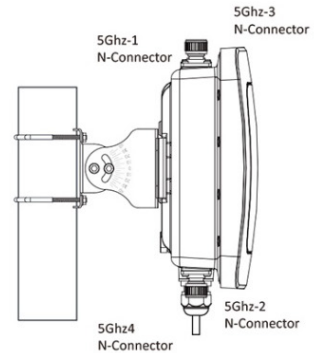
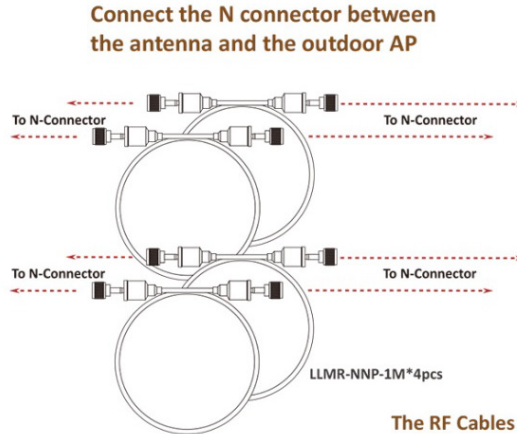
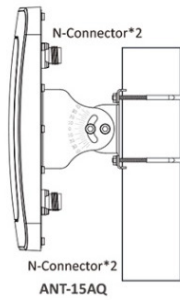
Panel Horizontal Installation:
Upward and Downward
Max. 40°

Product Application

5Ghz Antenna

RF Cables

Outdoor AP Device



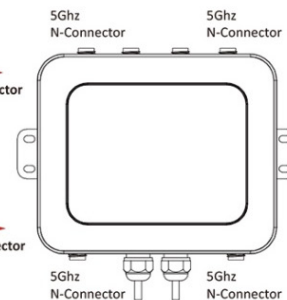
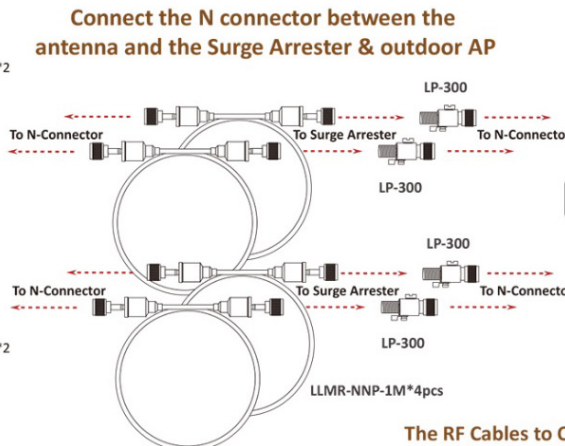
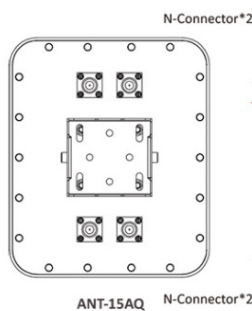
The RF Cables and Outdoor AP Device By Optional

5Ghz Antenna

RF Cables

Surge Arrester

Outdoor AP Device

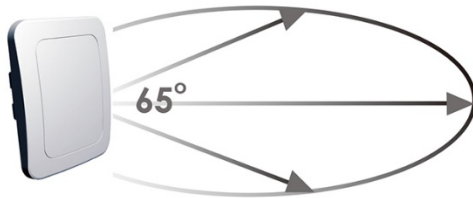
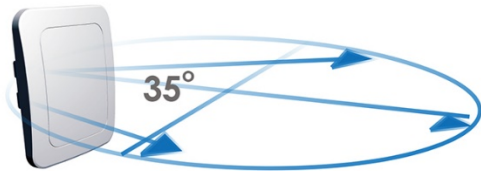


The RF Cables to Outdoor AP Device By Optional

Antenna Coverage

5GHz 4x4 ANT-15AQ
When the main body is installed vertically

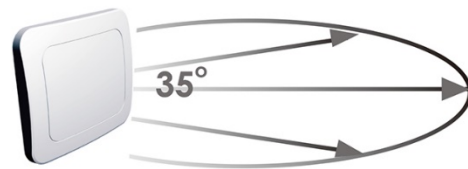
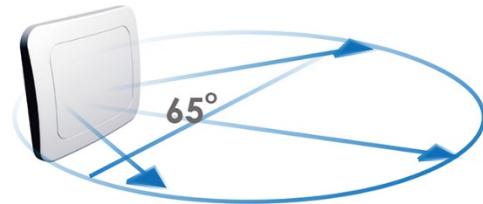
Horizontal Beam-width 35°



Vertical Beam-width 65

5GHz 4x4 ANT-15AQ
When the main body is installed horizontally

Horizontal Beam-width 65°

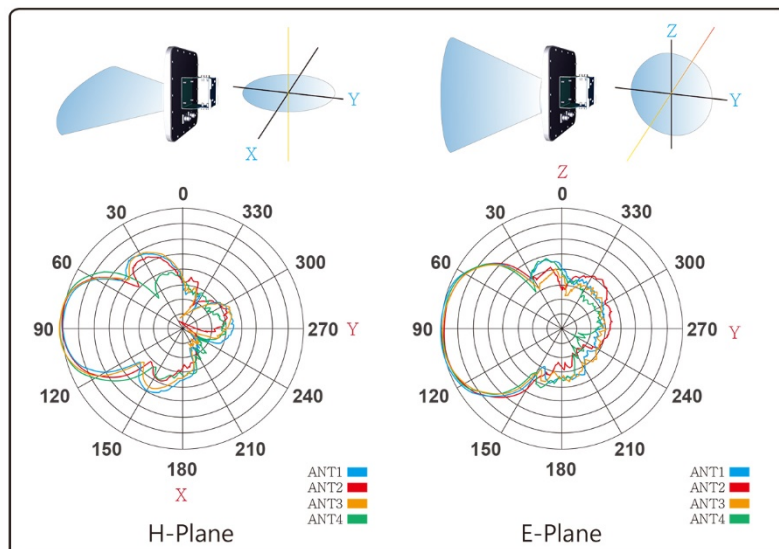


Vertical Beam-width 35°



Radiation Pattern

RADIATION PATTERN - 5Ghz 15dBI : ANT-15AQ



Specifications







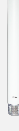



Antenna Type	Outdoor Directional Panel Antenna (Horizontally-Polarized) Dual Polarization Antenna
Frequency Range	5.1 ~ 5.9GHz (11a/an/ac/ax)
Network Specification	Wireless 5Ghz IEEE 802.11a/an/ac/ax MIMO
Antenna Gain	15dBi
V.S.W.R	≤1.5
Beam Width	Vertical installation: Horizontal beam 35°, Vertical beam 65° Horizontal installation: Horizontal beam 65°, Vertical beam 35°
Polarization	Vertical & Horizontal (Linear)
Input Impedance	50 Ohms
Materials	UV-resistant PC-122U + 2t aluminum alloy
Connector	N-Type Female x4
Form Factor	Supports Wall / Pole Mounting Installation

Adjustable range (with OW-PKUR mounting bracket)	Adjustable bracket match SUS304 M6 U-bolt Available inside diameter : Ø34mm - Ø 54mm
	Adjustable bracket match SUS304 Hose Clamp Available inside diameter : Ø30 - Ø90mm
	Horizontal column hanging axis: 360°horizontal rotation
	Up and down angle: Maximum upward 40°, downward 40°
	Operation Temperature -50°C - + 85°C
	Storage Temperature -50°C - + 85°C
	Humidity 5~90% maximum (non-condensing)
	IP Rating IP68 Rating (waterproof approval)
	Maximum Wind Resistance Velocity Beaufort scale 17 wind load test certificated
	Dimension Antenna: 201*241*32.2 (L x W x H)mm Mounting bracket: 83*85*78 (L x W x H)mm
	Weight 797g
	Production Location TW
	Certifications RoHS Compliant

Package Contents

Package Contents	
ANT-15AQ Main Unit	x1
Adjustable Pole & Wall Mounting Kit(OW-PKUR)	x1
Quick Installation Guide	x1
Warranty Card	x1

Related Products

Model No.	Photo	Description
ANT-10FD		2.4GHz 2x2 Outdoor IP68 Wide Rang Directional 10dBi Panel Pole/Wall Mount Antenna
ANT-10AD		5GHz 2x2 Outdoor IP68 Directional 10dBi Panel Pole/Wall Mount Antenna
ANT-14AD		5GHz 2x2 Outdoor IP68 Wide Rang Directional 14dBi Panel Pole/Wall Mount Antenna
ANT-18AD		5GHz 2x2 Outdoor IP68 Directional 18dBi Panel Pole/Wall Mount Antenna
ANT-15AQ		5GHz 4x4 Outdoor IP68 Wide Rang Directional 15dBi Panel Pole/Wall Mount Antenna (Can be utilized for dual 2x2 MIMO sets of mesh backbone link stacking applications.)
ANT-05FN-S		2.4Ghz Outdoor thin type Omni 5dBi Plug Antenna
ANT-07AN-S		5Ghz Outdoor thin type Omni 7dBi Plug Antenna
LLMR-NNP-1M		1M N-Plug (Male) to N-Plug (Male) LLMR200 Low Loss RF Antenna Cable
LLMR-NNP-2M		2M N-Plug (Male) to N-Plug (Male) LLMR200 Low Loss RF Antenna Cable
LP-300		11nabg 2.4GHz / 5GHz N-Female to N-Male Lightning Protector