



# ANT-15AN

## 5GHz Outdoor Omni 15dBi

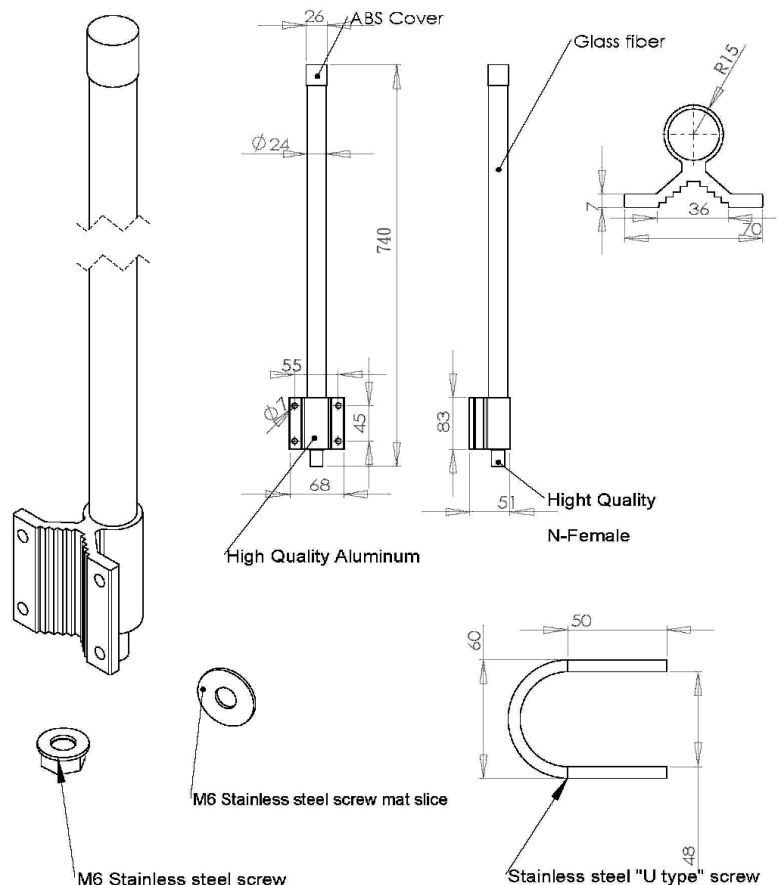
### Pole / Wall Mount Antenna

<b>GAIN</b> +15dBi	<b>11n/a</b> 5GHz	<b>ANTENNA</b> COLLINEAR	<b>CONNECTOR</b> N-Type	<b>OUTDOOR</b> PERFECT	<b>OMNI</b>
-----------------------	----------------------	-----------------------------	----------------------------	---------------------------	-------------

EAN Code : 4712757152043

The **CERIO ANT-15AN** is the perfect solution for extending the range and increasing the signal strength of an outdoor wireless network.

The **CERIO ANT-15AN** is the perfect solution for extending the range and increasing the signal strength of an outdoor wireless network. ANT-15AN provides a **7° range** E Plane coverage for point to point and point to multi-point long distance application. The ANT-15AN supports **5.1 to 5.9 GHz** and provides superb performance in IEEE 802.11a/n, IEEE 802.11a WiMAX Wi-Fi. All materials are considered good in water tightness and prevention of rust characteristics. All CERIO products pass a strict test, and satisfy professional user product needs.



## Features

- High gain: 15dBi.
- 7° Width-E Plane coverage.
- High performance.
- Fiberglass material.
- Light-weight.
- Waterproof design.
- Simple and easy installation.
- Provide Pole Mount function.

## Specifications

<b>Antenna Type</b>	Outdoor Omni Antenna
<b>Frequency Range</b>	5.1 ~ 5.9GHz
<b>Network Specification</b>	Wireless 5Ghz Network IEEE 802.11n , IEEE 802.11a
<b>Gain</b>	15 dBi
<b>V.S.W.R</b>	< 1.5
<b>Beam Width-H Plane</b>	360°
<b>Beam Width-E Plane</b>	7°
<b>Polarization</b>	Vertical (Linear)
<b>Input Impedance</b>	50 Ohms
<b>Connector</b>	N-Type Female
<b>Form Factor</b>	Pole Mount ( U-Clamps )
<b>Operation Temperature</b>	-50°C - + 85°C
<b>Storage Temperature</b>	-50°C - + 85°C
<b>Humidity</b>	5~90% maximum (non-condensing)
<b>Product Dimension</b>	740* 68 (L *W) mm , 24mm Diameter (max)
<b>Weight</b>	440g
<b>Production Location</b>	TW Only

## Package Content

- ANT-15AN Antenna Main Unit x1**
- Pole Mount kit x1**
- Quick Installation Guide Bookletx1**
- Warranty Card x 1**