

ANT-10AO

5GHz 2x2 Outdoor Omni 10dBi with RF Cables Pole / Wall Mount Antenna

EAN Code : 4712757150315



Introduction

ANT-10AO 5GHz 2x2 Outdoor Omni 360° 10dBi with RF Cables Pole / Wall Mount Antenna provides 15° for H Plane long distance coverage for point to multi point application. **The ANT-10AO** supports 5.1 to 5.9 GHz and provides superb performance in IEEE 802.11a/an/ac/ax Wi-Fi environment. **ANT-10AO** supports pole and wall mounting installation. All materials are considered good in water tightness and prevention of rust characteristics. All CERIO products pass a strict test, and satisfy professional user product needs.

The **ANT-10AO** 5GHz 2x2 Outdoor Omni Dual Polarization Antenna provides polarized dual-signal characteristics, allowing multiple antenna applications for 11ac/ax 2T2R MIMO. The user only uses one set of **ANT-10AO** Dual Polarization antenna with 2 sets of SMA connectors for connection with NFC-NSP-1M low-attenuation RF cables to complete 11ac/ax 2T2R MIMO applications that require multiple antennas. In this way, the trouble of setting up multiple antennas and multiple brackets can be solved. It greatly simplifies construction procedures and installation costs. The perfect solution for faster, longer distances with 11ac/ax 2T2R MIMO multi-radio reception and wireless transmission.

Highlight Features

- Supports 5Ghz IEEE 802.11a/an/ac/ax.
- High Gain: 10dBi.
- 360° Width-H Plane(Vertical), 15° Width-E Plane(Horizontal) and 3° Down tilt coverage .
- High performance.
- Light-weight and easy installation.
- IP67 Waterproof design.
- Supports two SMA (Female) connectors.
- Supports pole & wall mounting.
- Bundle with RF cable with a waterproof cap and pole & wall mounting kit, it can be installed quickly without purchasing other accessories.

Pole Mounting Installation Kit

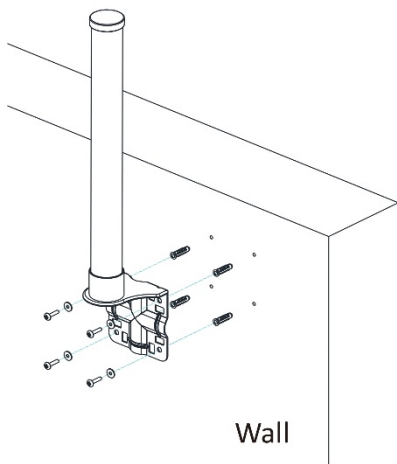


Support Vertical or Horizontal Pole Installation

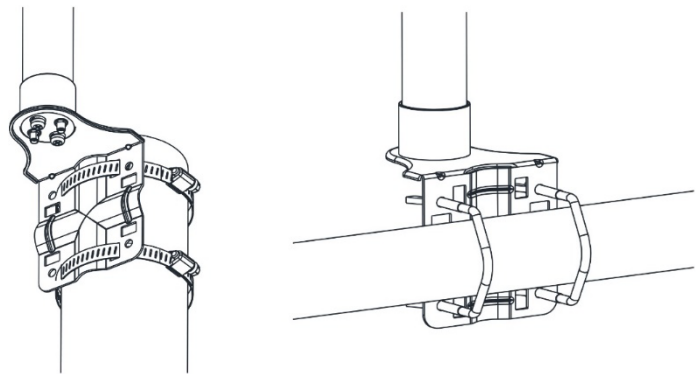
Pole U-bolt: Pole Range $\varnothing 38\text{-}\varnothing 102\text{mm}$ (1.5" ~ 4.0")

Pole O-Clamps: Pole Range $\varnothing 51\text{-}\varnothing 102\text{mm}$ (2.0" ~ 4.0")

Wall Mounting

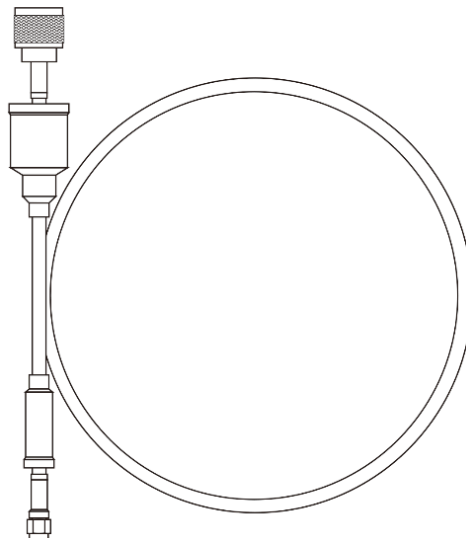


Pole Mounting

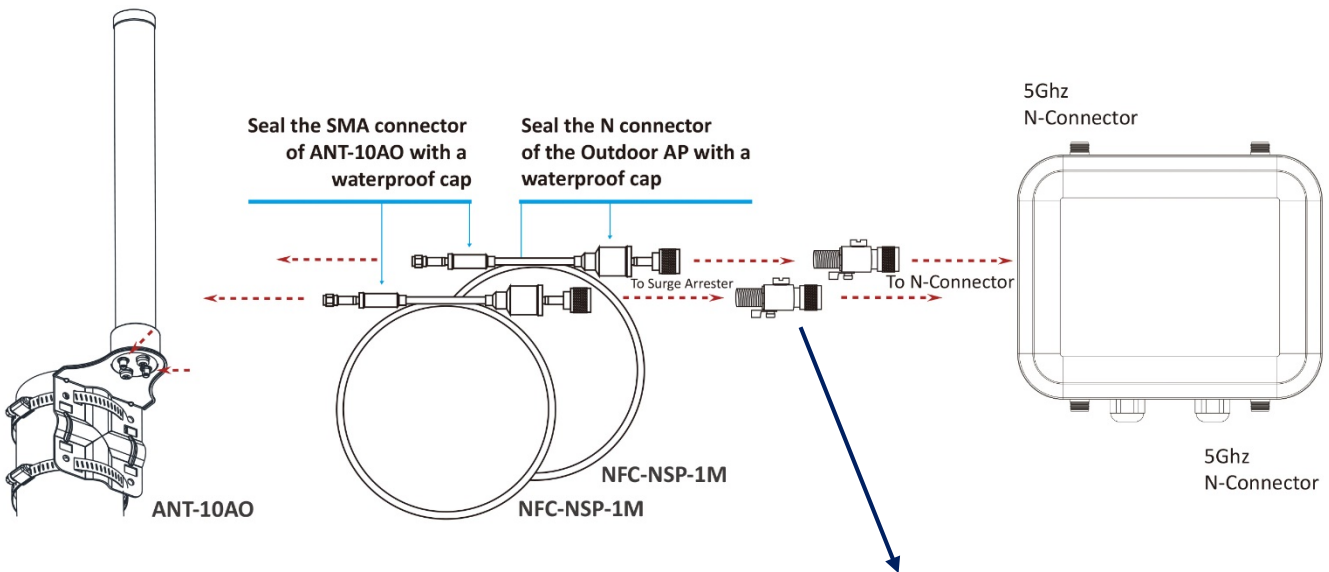
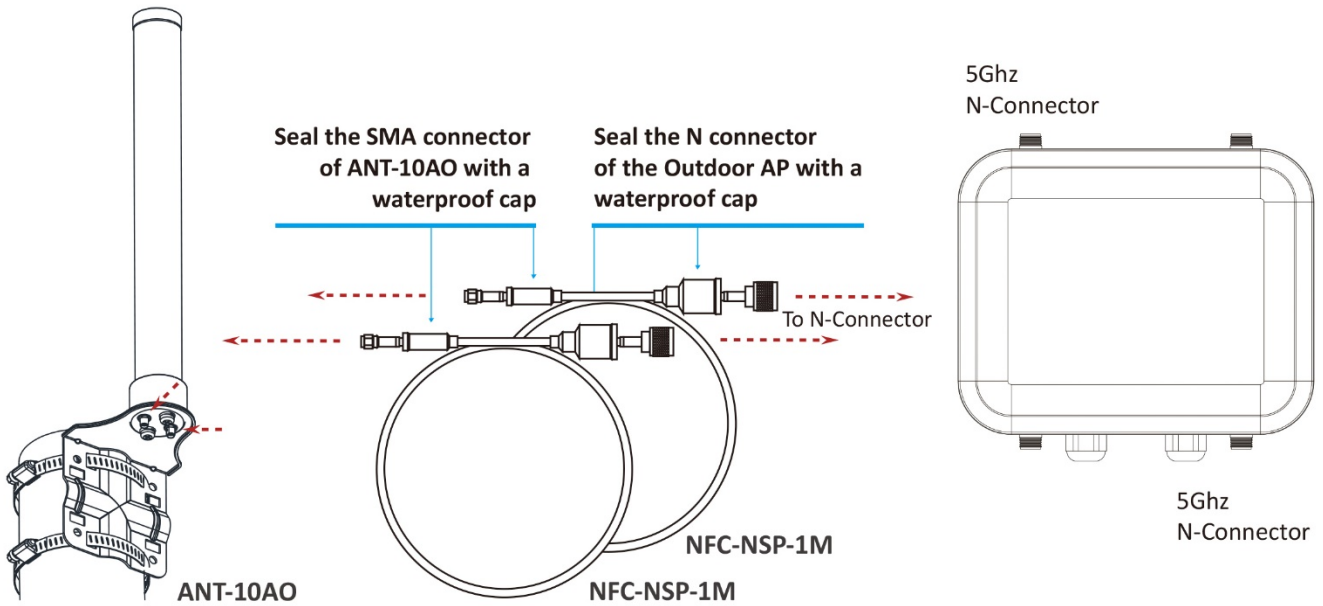


RF Cable Overview (NFC-NSP-1M)

- N Plug -----
- Waterproof Glued Heat Shrink Tube -----
- Waterproof Cap -----
- NFC200 RF Cable -----
- Waterproof Cap -----
- Waterproof Glued Heat Shrink Tube -----
- SMA Plug -----

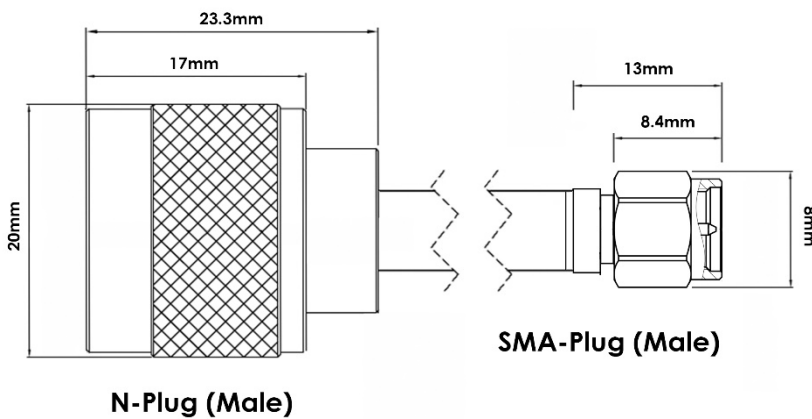


Installation Application



N to SMA Connector

Installation with Lightning Protector
Optional: Model No. LP-300)



Specifications

Antenna Type	Outdoor Omni Dual Polarization Antenna
Frequency Range	5.1 ~ 5.9GHz (11a/an/ac/ax)
Network Specification	Wireless 5Ghz Network IEEE 802.11a/an/ac/ax MIMO
Antenna Gain	10dBi
V.S.W.R	≤2.0
Beam Width-H Plane (Vertical)	360°
Beam Width-E Plane (Horizontal)	15°
Down tilt	3°
Polarization	Horizontal (Linear)
Front-Back Ratio	> 20 dB
Input Impedance	50 Ohms
Connector	SMA Female
	x2

Form Factor	Supports Wall / Pole Mounting Installation Pole U-bolt: Pole Range Ø38-Ø102mm(1.5" ~ 4.0") Pole O-Clamps: Pole Range Ø51-Ø102mm(2.0" ~ 4.0")
Rated Wind Velocity	210Km / Hour
Operation Temperature	-50°C ~ + 85°C
Storage Temperature	-50°C - + 85°C
Humidity	5~90% maximum (non-condensing)
IP Rating	IP67(waterproof level)
Dimension	Antenna: 406*42 mm (L x W)
Weight	Antenna: 0.31kg
Production Location	TW Only

Package Contents

Package Contents	
ANT-10AO Main Unit	x1
Pole & Wall Mounting Kit	x1
RF 1Metter Cables (NFC-NSP-1M)	x2
Quick Installation Guide	x1
Warranty Card	x1