



ANT-10AN

5Ghz Outdoor Omni 10dBi

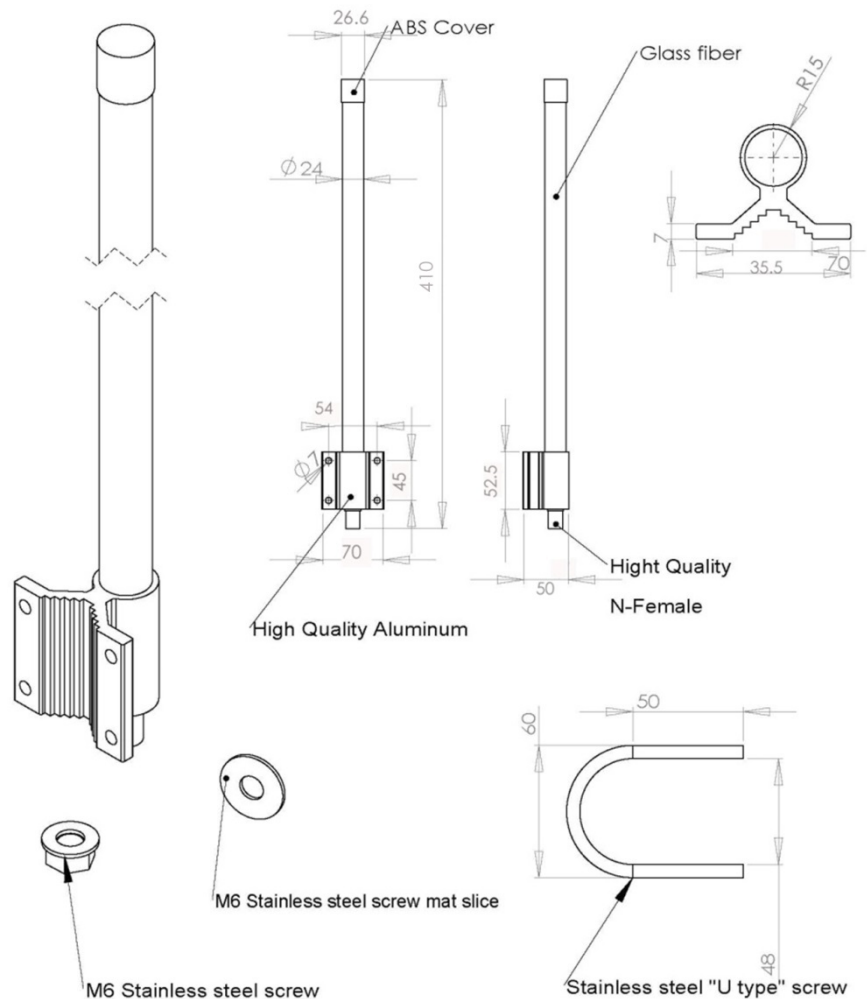
Pole / Wall Mount Antenna



EAN Code : 4712757151527

The **CERIO ANT-10AN** is the perfect solution for extending the range and increasing the signal strength of an outdoor wireless network.

ANT-10AN provides 15° high range E Plane coverage for point to point and point to multi –point long distance application. The **ANT-10AN** supports **5.1 to 5.9 GHz** and provides superb performance in IEEE 802.11a/n, IEEE 802.11a WiMAX Wi-Fi. All materials are considered good in water tightness and prevention of rust characteristics. All CERIO products pass a strict test, and satisfy professional user product needs.



Features

- High Gain: 10dBi.
- 15° Width-E Plane coverage.
- High performance.
- Fiberglass material.
- Light-weight.
- Waterproof design.
- Simple and easy installation.
- Provide Pole Mount function.

Specifications

Antenna Type	Outdoor Omni Antenna
Frequency Range	5.1 ~ 5.9GHz
Network Specification	Wireless 5Ghz Network IEEE 802.11n , IEEE 802.11a
Gain	10 dBi
V.S.W.R	< 1.5
Beam Width-H Plane	360°
Beam Width-E Plane	15°
Polarization	Vertical (Linear)
Input Impedance	50 Ohms
Connector	N-Type Female
Form Factor	Pole Mount (U-Clamps)
Operation Temperature	-50°C - + 85°C
Storage Temperature	-50°C - + 85°C
Humidity	5~90% maximum (non-condensing)
Product Dimension	410 * 70 (L*W) mm 26.6 mm Diameter (max)
Weight	370g
Production Location	TW Only

Package Content

- ANT-10AN Antenna Main Unit x1**
- Pole Mount kit x1**
- Quick Installation Guide Bookletx1**
- Warranty Card x 1**