

## SLC-SXM

1000Base-SX/LC Multi-Mode Fiber SFP  
Module (550M)

EAN Code : 4712757152951

## SLC-LXS

1000Base-LX/LC Single-Mode Fiber SFP  
Module (10KM)

EAN Code : 4712757152999



SLC-SXM



SLC-LXS

### Introduction

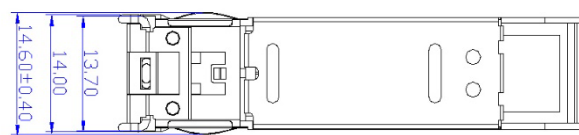
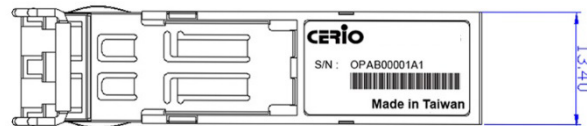
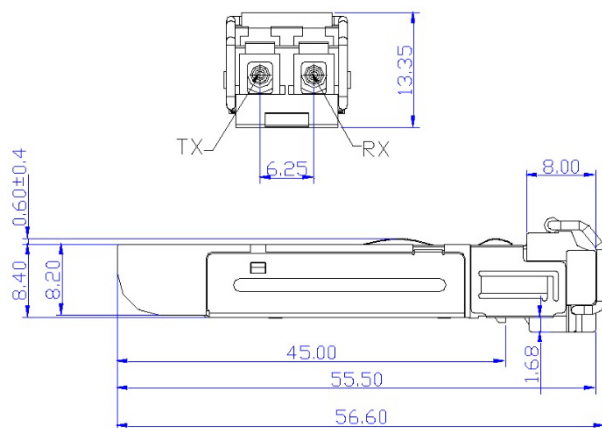
CERIO's SLC-SXM 1000BASE-SX/LC Multi-mode fiber SFP Module and SLC-LXS 1000BASE-LX/LC Single-mode fiber SFP provides optical transceiver modules connect on switches SFP Slot ports, Pluggable (SFP module) transceivers with the LC connector, offers a Small Pluggable (SFP module) transceivers for multimode switch's gigabit SFP port to switch's gigabit SFP port interface or High speed for gigabit SFP port file server applications. The modules, which operate from a single +3.3V power supply. These SFP Modules are short wavelength fiber optic transceiver modules for providing **1.25Gbps** Gigabit Ethernet to be used in high-speed proprietary link applications. The transceivers send and receive pre-encoded data over a pair of 50µm or 62.5µm core multimode optical fibers.

Cerio's SLC-SXM compliant with IEEE802.3z Gigabit Ethernet and with Fiber Channel 100-MS-SN-I and 100-M6-SN-I (**SLC-SXM only**) standards. Cerio' Gigabit Ethernet SFP LC Transceivers provides high performance fiber channel and ethernet connectivity, while also satisfying a wide range of speed and distances of up to 550 meters for SLC-SXM and 10 kilometers for SLC-LXS.

### Highlight Features

- SFP Multi-Source Agreement(MSA)and IEEE802.3z Gigabit Ethernet standard compliant
- Compliant with EN 60825-1 / Class 1 laser product
- **SLC-SXM**: Supports Fiber Channel 100-MS-SN-I and 100-M6-SN-I standards
- **SLC-LXS**: Supports Fiber Channel 100-MS-SN-I standards
- Support 1.25Gb/s High speed data Rate
- **SLC-SXM**: Center Wavelength supports 850nm
- **SLC-LXS**: Center Wavelength supports 1310nm
- Single power supply 3.3V
- **SLC-SXM**: Supports fiber link for distances of up to 550 meters
- **SLC-LXS**: Supports fiber link for distances of up to 10 kilometers
- Hot-pluggable remove and install module
- Duplex LC connector
- RoHS compliant

### Hardware Overview



### Specifications

#### Module Type

SLC-SXM: Multi-Mode

SLC-LXS: Single-Mode

#### Media Type

SLC-SXM: MMF Type

SLC-LXS: SMF Type

#### Maximum Fiber Distance

SLC-SXM: 550 meters

SLC-LXS: 10 kilometers

#### Maximum Spectral Width (RMS)

SLC-SXM: 0.85nm

SLC-LXS: 2.5nm

#### Center Wavelength

SLC-SXM: 850nm (VCSEL)(835~865nm) /Light Source

SLC-LXS: 1310nm (FP) (1280~1340nm) /Light Source

#### Supply Voltage

3.1 ~ 3.5V

#### Operating Current

Max : 400mA

#### Output Current

Max : 50mA

#### Connector

LC connector x2

#### Operating Temperature

0°C ~ 70 °C

#### Storage Temperature

-40 °C ~85 °C

#### Operating Humidity

100% Non-Condensing

#### Dimension ( W x H x D )

13.4 x 13.35 x 56.6 mm

#### Weight

SLC-SXM: 15g

SLC-LXS: 17g

#### Production Location

TW Only

#### Package Contents

**SLC-SXM** or **SLC-LXS** Main Unit x1

Warranty Card x1