

CFD4-100

1M N-Plug (Male) to N-Plug (Male) CFD400 Low Loss RF Antenna Cable

EAN Codes: 4712757152081

CFD4-300

3M N-Plug (Male) to N-Plug (Male) CFD400 Low Loss RF Antenna Cable

EAN Codes: 4712757152098

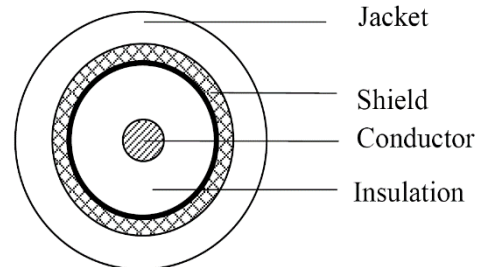


Introduction

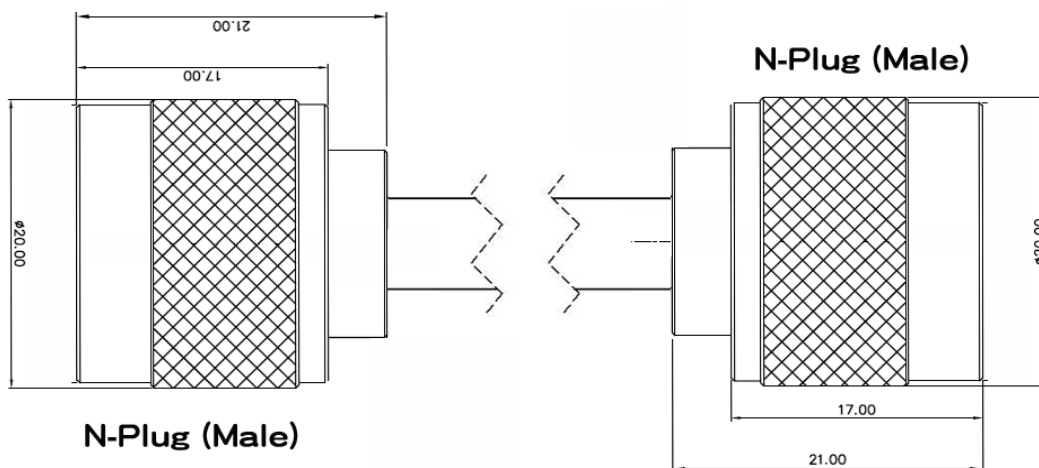
CERIO CFD4 Series Antenna Cable N-Plug (Male) to N-Plug (Male) CFD400 Low Loss RF Antenna Cable provides low loss of attenuation with antennas. The cable supports **2.4GHz and 5GHz** band applications where more RF gain power is required to increase coverage of the Wireless installations.

Highlight Features

- Length : 1 Meter (100CM) / 3 Meter (300CM)
- 2.4 ~ 5.8 Ghz Frequency range
- Cable Low Loss at @ 2.4GHz : Total Loss 0.222 dB
@ 5.5GHz : Total Loss 0.305 Db
@ 5.8GHz : Total Loss 0.355 dB



Hardware Overview



Hardware Specifications

| |
|--|
| Cable Type |
| CFD-400 |
| Conductor |
| Material : Copper Clad Aluminum |
| Diameter O.D: 2.74mm ± 0.03mm |
| Insulation |
| Material : PEF |
| Thickness : (NoM.) 2.2mm |
| Diameter O.D: (NoM.)7.24mm |
| Shield |
| Material : Tinned Copper Wirte |
| Coverage : 85% ↑ |
| Diameter O.D: (NoM.)78.13mm |
| Jacket |
| Material : Black PVC |
| Diameter O.D: 10.3 mm ± 0.25mm |
| Attenuation (Cable Loss) |
| IEEE802.11b/g/n : |
| 2.4GHz : dB/100M Loss 22.2dB |
| IEEE802.11ac/an : |
| 5.5GHz (Europe ETSI) : dB/100M Loss 30.5dB |
| 5.8GHz GHZ(USA) : dB/100M Loss 35.5dB |

| |
|--|
| Impedance |
| 50 Ohms |
| Connector |
| N-Type Plug (Male) to N-Type Plug (Male) |
| Operating Temperature |
| -40°C - + 80°C |
| Storage Temperature |
| -40°C - + 80°C |
| Humidity |
| 100% Non- Condensing |
| Dimensions |
| CFD4-100 : 1000 * 10.3 (L *W) mm |
| CFD4-300 : 3000 * 10.3 (L *W) mm |
| Cable Diameter 10.3mm (max) |
| Connector Diameter 20mm (max) |
| Weight |
| CFD4-100 : 193.2 ± 2g |
| CFD4-300 : 399.2 ± 2g |
| Production Location |
| TW Only |

Package Contents

| |
|---------------------------------------|
| Content |
| CFD4-100 or CFD4-300 Main unit |