

CERIO

Amplify your Wireless Network

WM-100GX-N+7

eXtreme Power 11n 2.4Ghz 1x1 Wall PoE
Access Point (800mW)

With CenOS 3.0 Software

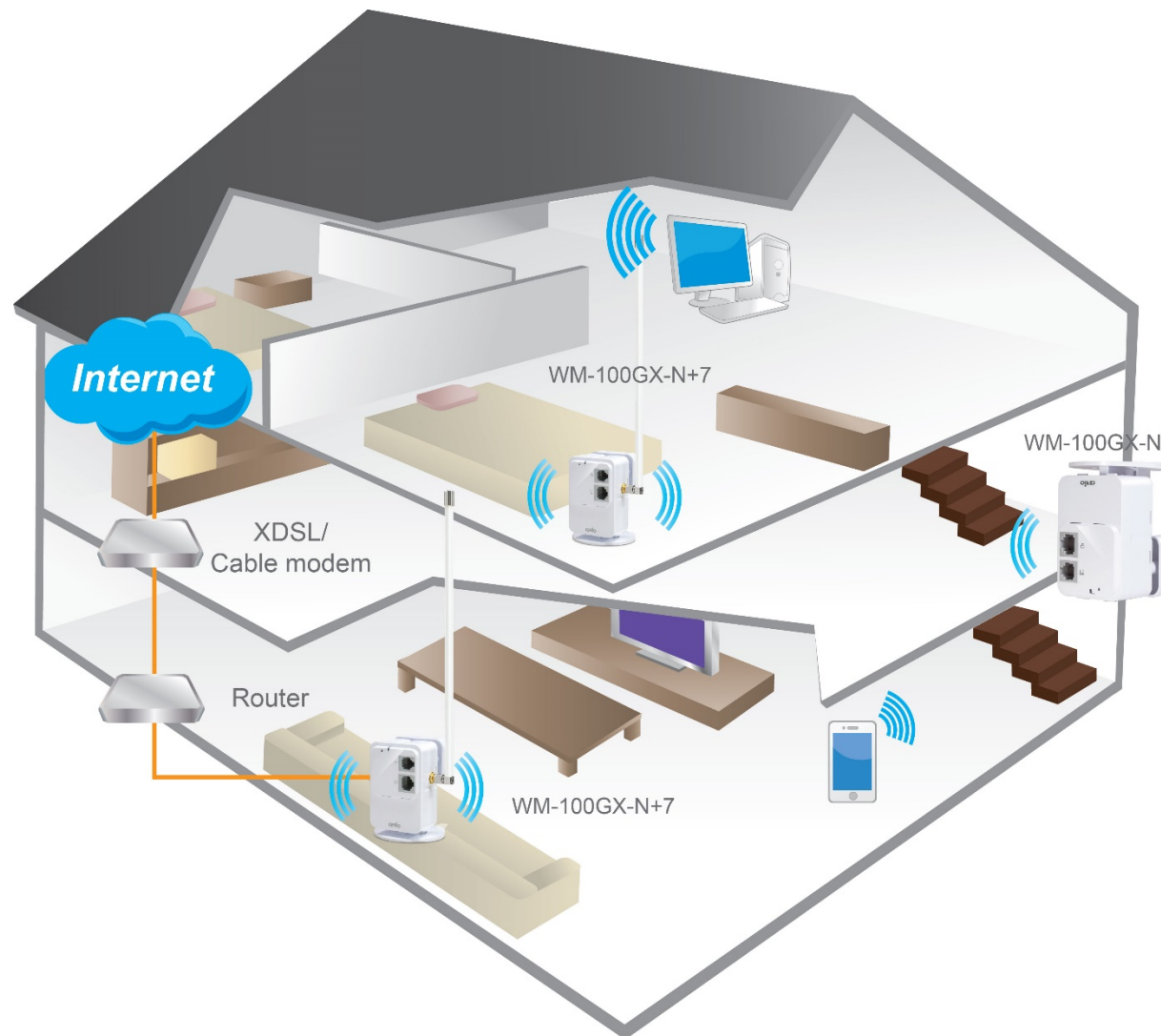
EXTREME[®]
POWER

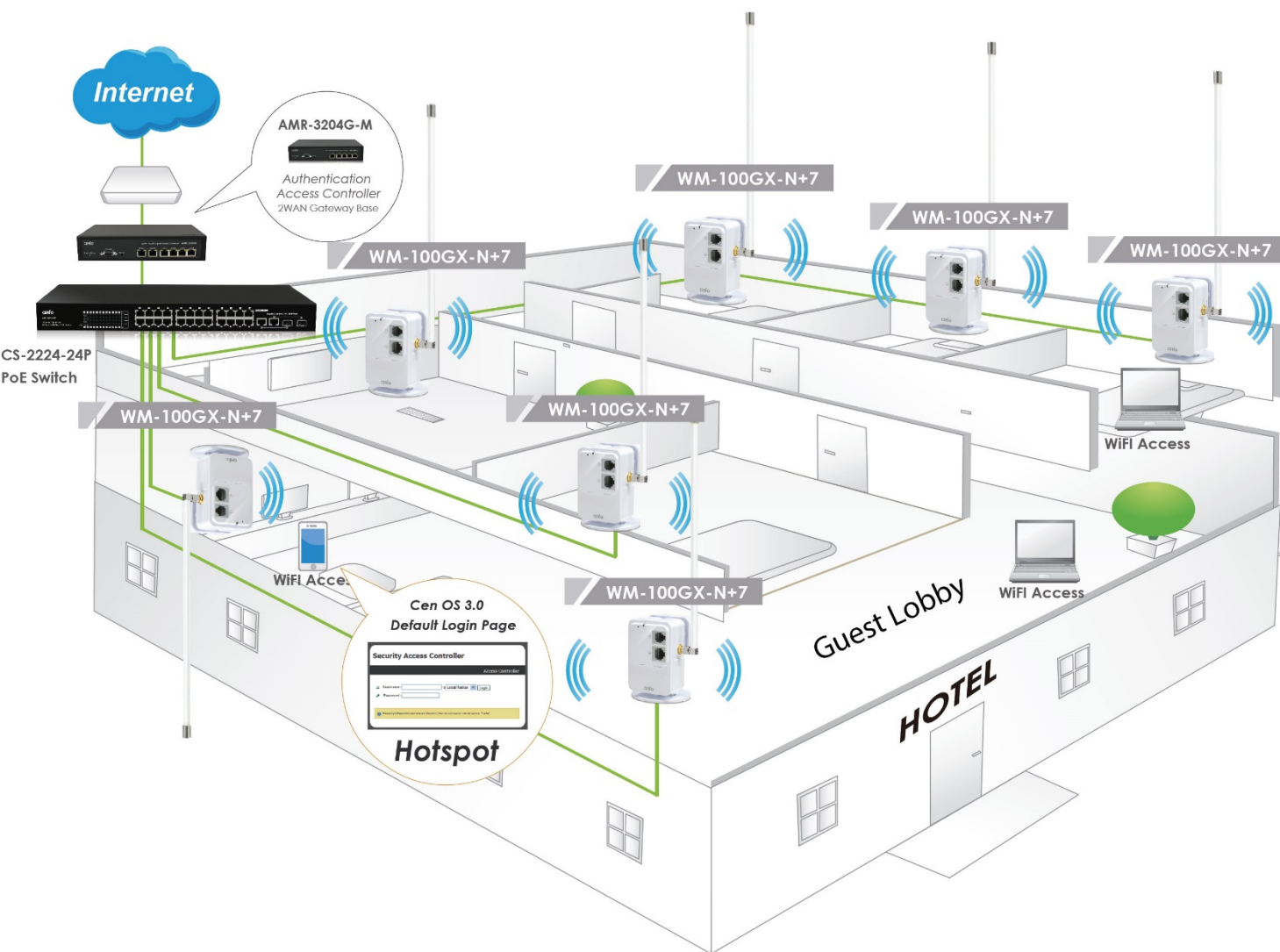


EXTREME[®]
POWER

WM-100GX-N+7

Operation Modes	Router AP with WDS/AP with WDS/WDS/Client Bridge + Universal Repeater/WISP/CPE Repeater+AP Mode
Output Power	800mW
Wi-Fi Standards	IEEE 802.11n b/g
Multiple-ESSID	x8
Tag VLAN	Supports 1 VLAN Tag per SSID
IAPP Roaming	✓
Antenna	External 7 dBi Thin-Type SMA Antenna
Management	Managable by CenOS 3.0 and CWMS
Ethernet Configuration	RJ-45 Ethernet Port x 2
Telephone Configuration	RJ-11 Line-In x 1 RJ-11 Line-Out x1
Input Power Requirement	803.3af 48V PoE Ethernet Interface Power In
Bundled Power Supply	110-240V Power Adapter + PoE Adapter
Form Factor	Mounting Bracket : Desktop Stand / Wall Mounting & Ceiling Mounting





CERIO

eXtreme Power 11n 2.4Ghz
Amplify your Wireless Network



WM-100GX-N / WM-100GX-N-NGS
eXtreme Power 11n 2.4Ghz 1x1 Wall PoE Access Point (800mW)



EXTREME POWER

2.4Ghz
11n/bg

PoE

Bundle
CenOS 3.0
CenOS 4.0

Built-in
Smart omni
Directional Antenna

2.4Ghz
11n/bg



CONTROLLER BASE
Be Managed Support

Support
POE

EXTREME POWER

Cerio Wireless Management Software (CWMS) Centralized APs management software– PC Base



Control AP Group Management
Support up to 500 Access Point / Windows base

CWMS only supports Cerio's CentOS 3.0 core

Hardware:

1. Hardware Overview
2. Highlight Features
3. Product Diagram
4. Mounting Options

Software:

1. CenOS 3.0 Diagrams
2. Advanced Support
3. CenOS 3.0 Features



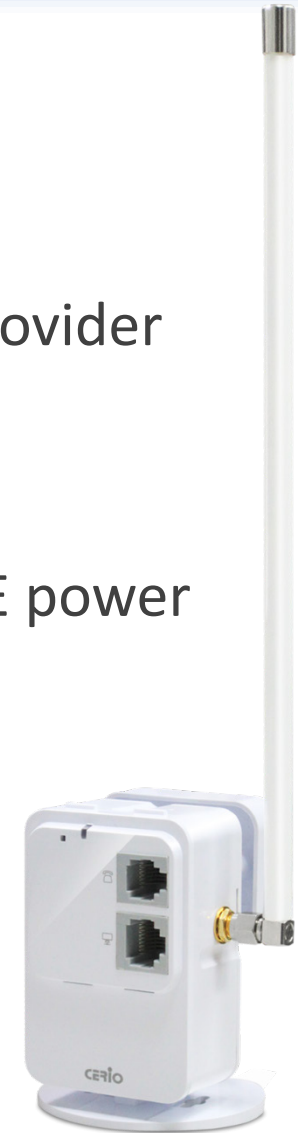


- WM-100GX-N+7 utilizes an External 7dBi Thin-Type Omni-directional SMA Antenna
- Two 10/100 Fast Ethernet Ports
- The Ethernet ports supports Link-On and Cable Length Power Saving and Link-Down Power Saving when PoE is not available
- 400Mhz high level base CPU
- AP Point to Multi-Point Application Support



800mW eXtreme High Power Wireless Capability

- Enables connection to Wireless In Networks for service provider deploying last mile services
- Powerful wireless 11n speed of up to 150Mbps
- Allows for easy structuring of devices through 802.3af PoE power /data capabilities supplied through CAT5 Ethernet cabling
- Versatile Mounting (Desktop, Wall, Ceiling)
- Supports up to 8 SSIDs
- LED On/Off control through UI settings





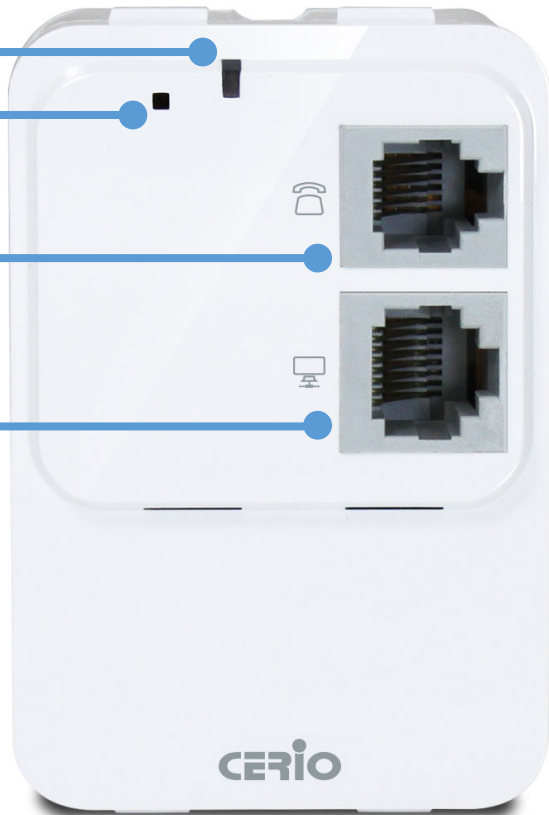
Front Panel

Rear Panel

Power / WLAN Light
Reset Button

PHONE Line OUT Port

ETH2 (LAN2)
Ethernet Port



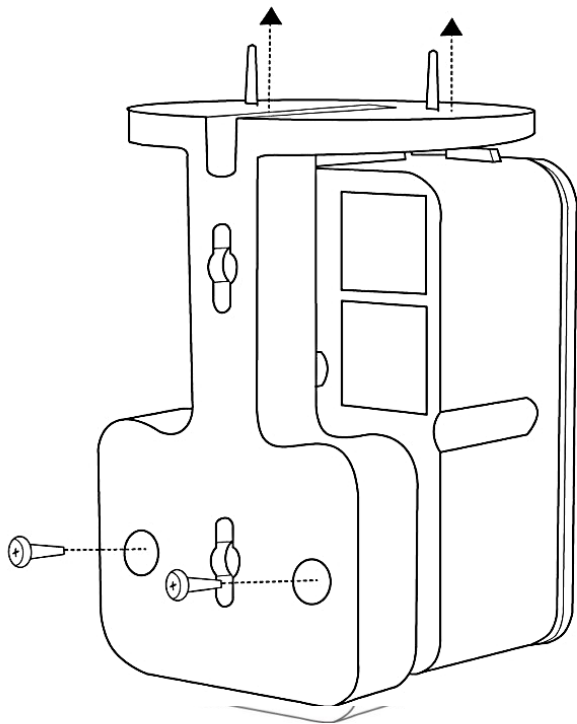
ETH1 Port (PoE)
LAN1 Function

PHONE Line IN Port

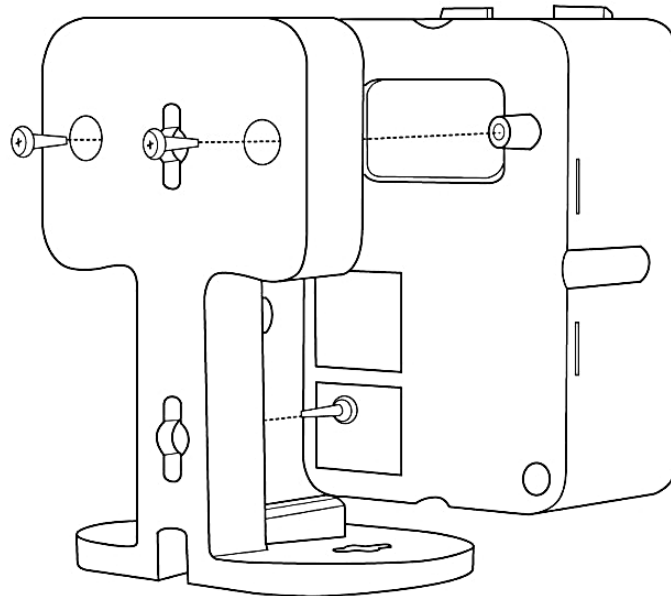


CERIO's WM-100GX-N+7 provides **versatility** with **3 different mounting options**

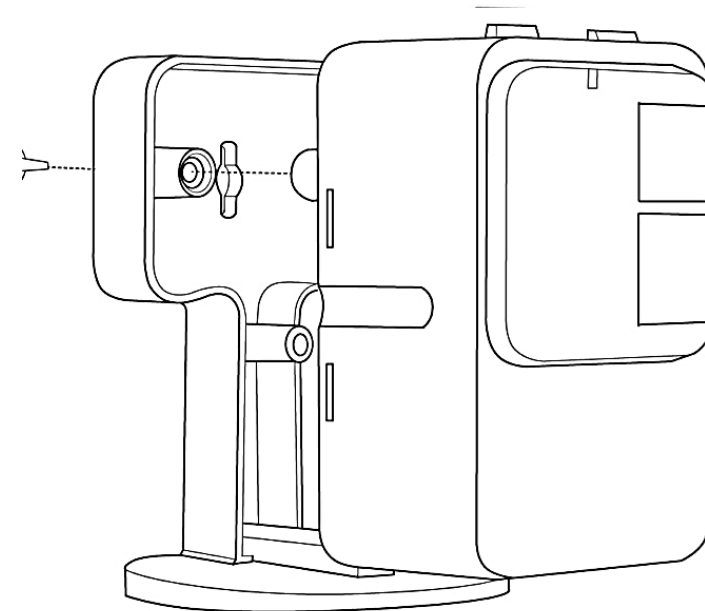
Ceiling Mounting



Wall Mounting

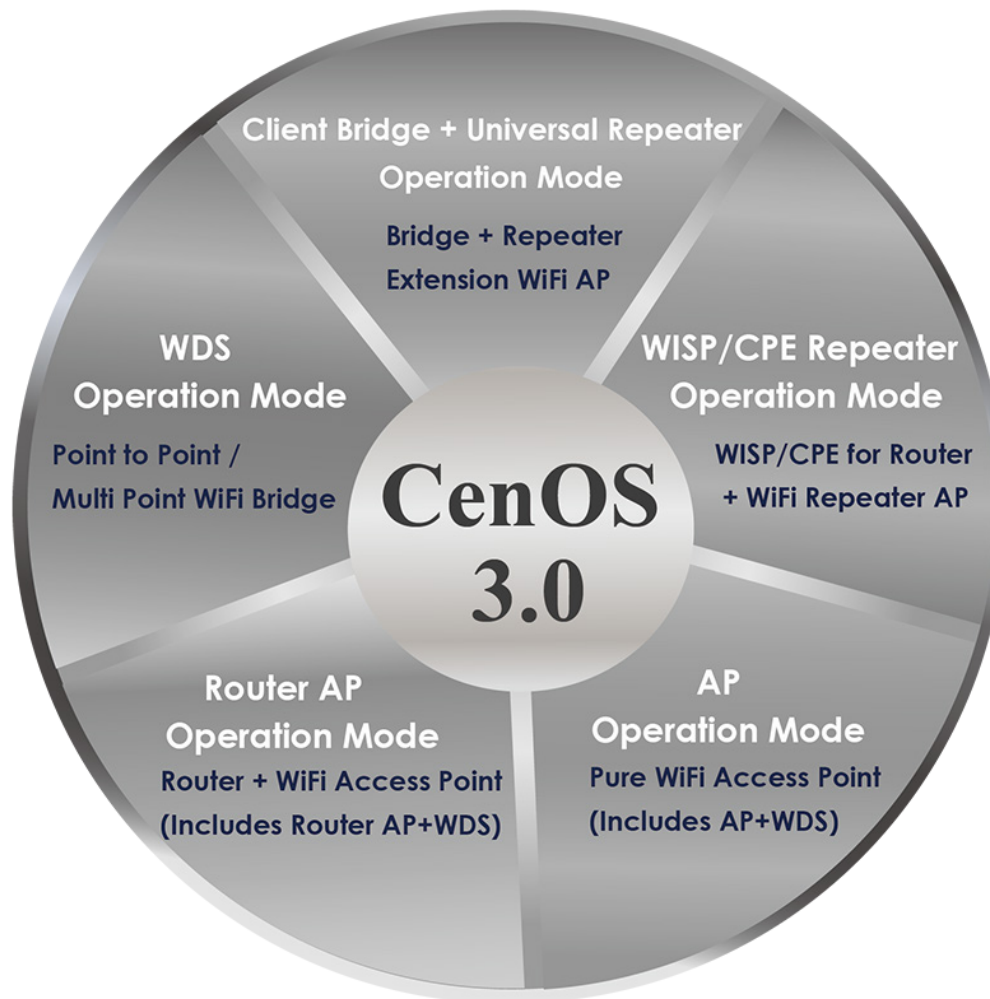


Desktop Stand





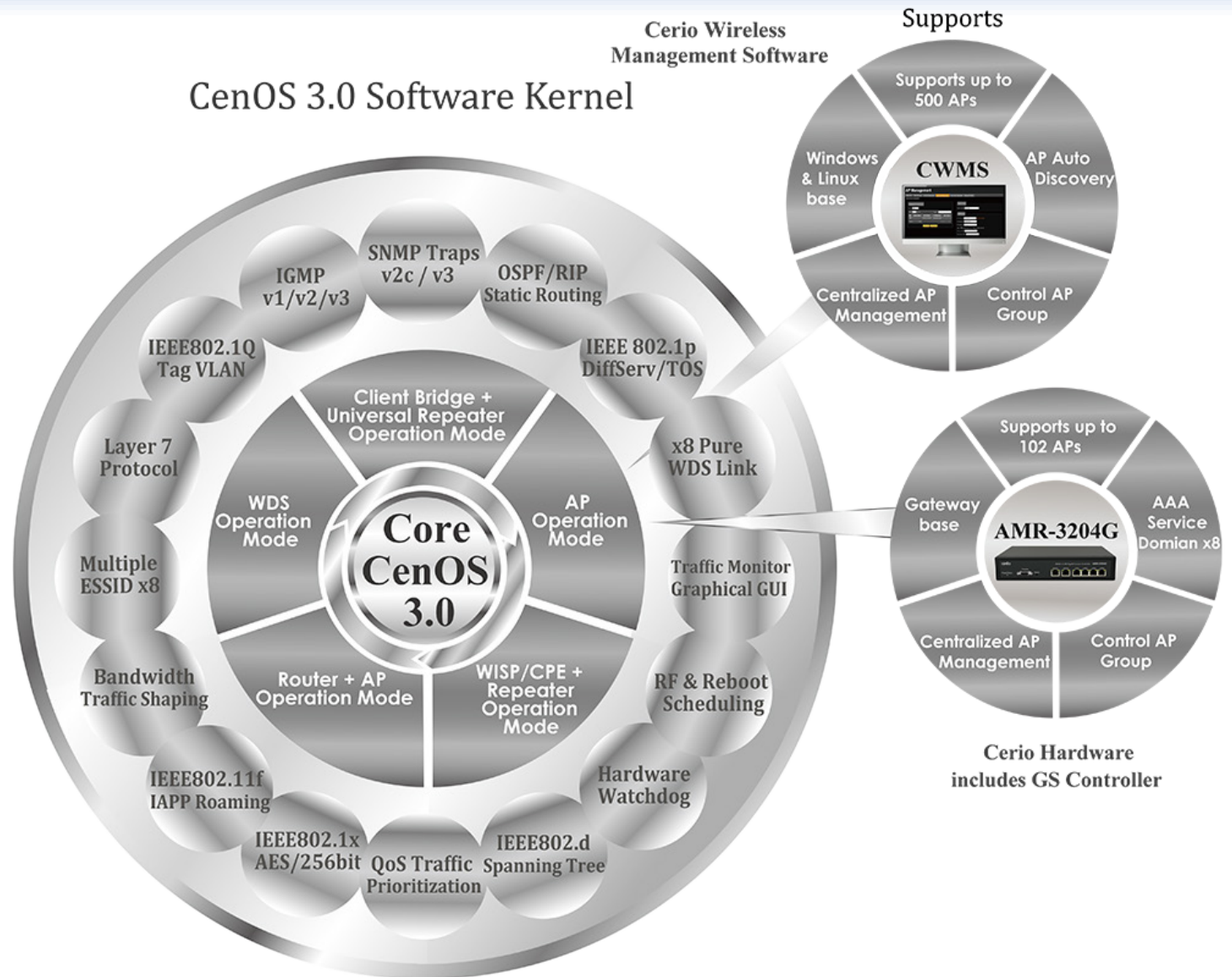
Cerio WM-100GX-N+7 CenOS 3.0 Software Overview



Only Cerio's special model supports Router AP mode



CenOS 3.0 Software Kernel





8 Multiple-ESSID Support

- Allows for network segmentation by administrators

Integration

- Utilizes IGMP v1/v2/v3 Snooping Function
- Includes Web Support management
- Supports Hardware chipset base Watch Time Dog Function

Quality of Service (QoS)

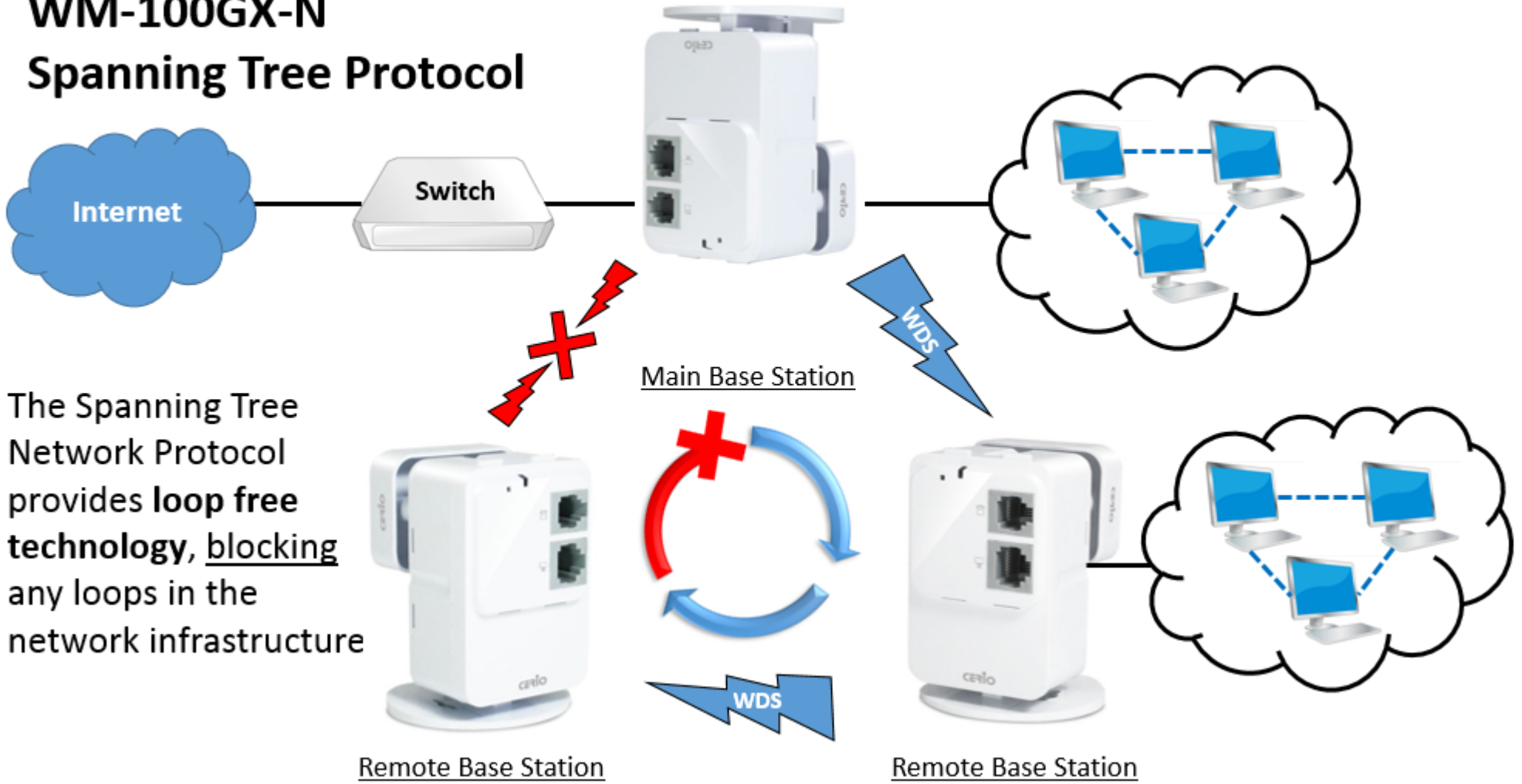
- For bandwidth management and Traffic Prioritization

Bundl Software Interface

- Bundled Cerio CenOS 3.0 allows administrators to easily configure, monitor, and update WM-100GX-N+7 settings and functions.

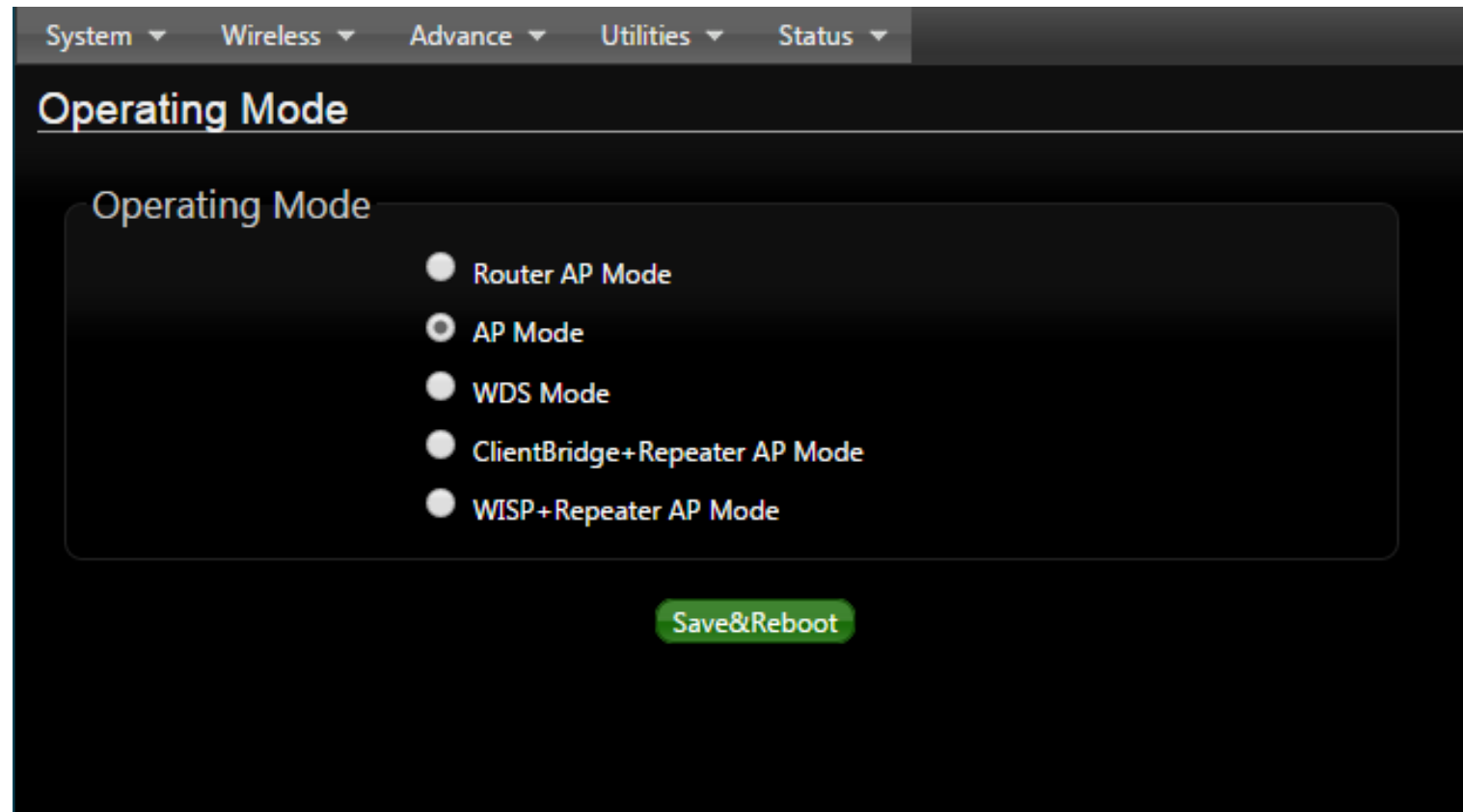


WM-100GX-N Spanning Tree Protocol



The Spanning Tree Network Protocol provides **loop free technology**, blocking any loops in the network infrastructure

5 Operation Modes : Router AP with WDS mode / Pure AP with WDS Mode / Pure WDS mode / Client Bridge + Universal Repeater Mode and WISP / CPE Repeater +AP mode



Create and manage up to **8 ESSIDs** to segment you network. This allows administrators to **separate traffic** within VLANs, allowing for more organized network construction.

System ▾ Wireless ▾ Advance ▾ Utilities ▾ Status ▾

VAP0 Setup

Security

ESSID:

Hidden SSID: Enable Disable

Client Isolation: Enable Disable

IAPP: Enable Disable

Maximum Clients:

VLAN ID(Tag): ▾ VLAN ID:

Security Type: ▾



System ▾ Wireless ▾ Advance ▾ Utilities ▾ Status ▾

QoS Setup

Bandwidth Control

Service: Enable Disable

Mode: Total Bandwidth Per Rule Bandwidth

Upload: kbps

Download: kbps

Per Rule

Comment:

Type: ▾

IP:

Upload: kbps

Download: kbps

QoS List

#	Comment	Rule	Bandwidth(U/D)	Action
No items in the list!				

Allows for bandwidth control which permits Administrators to allocate bandwidth to parties as they see fit

Also allows for Rule setting customization, where admins can enact QoS Rules to specific individual IP Addresses, Segments, MAC addressed, and even Ports.



IP Filter Setup

IP Rules

Source Address/Mask:

Source Port:

Destination Address/Mask:

Destination Port:

In/Out: In Out

Protocol: ALL TCP UDP ICMP

Listen: Yes No

Policy: Deny Pass

Interface: ALL

Schedule: Always Run

In Router AP mode , the IP and MAC Filtering offers a greater sense of control within a network. This control over network Access allows for Administrators to create a more secure network

In Pure AP Mode Admins use MAC Filtering to also control traffic within their network.

MAC Filter Setup

MAC Rules

Action: Disabled

MAC Address:

Schedule: Always Run

MAC Filter List

#	MAC Address	Schedule	Actions	#	MAC Address	Schedule	Actions
No items in the list!							

WiFi RF Signal on/ off
By scheduling control

Time Policy Setup

Policy 3

Policy: Policy 3

Schedule Rule: On Schedule Out of Schedule

Save Action

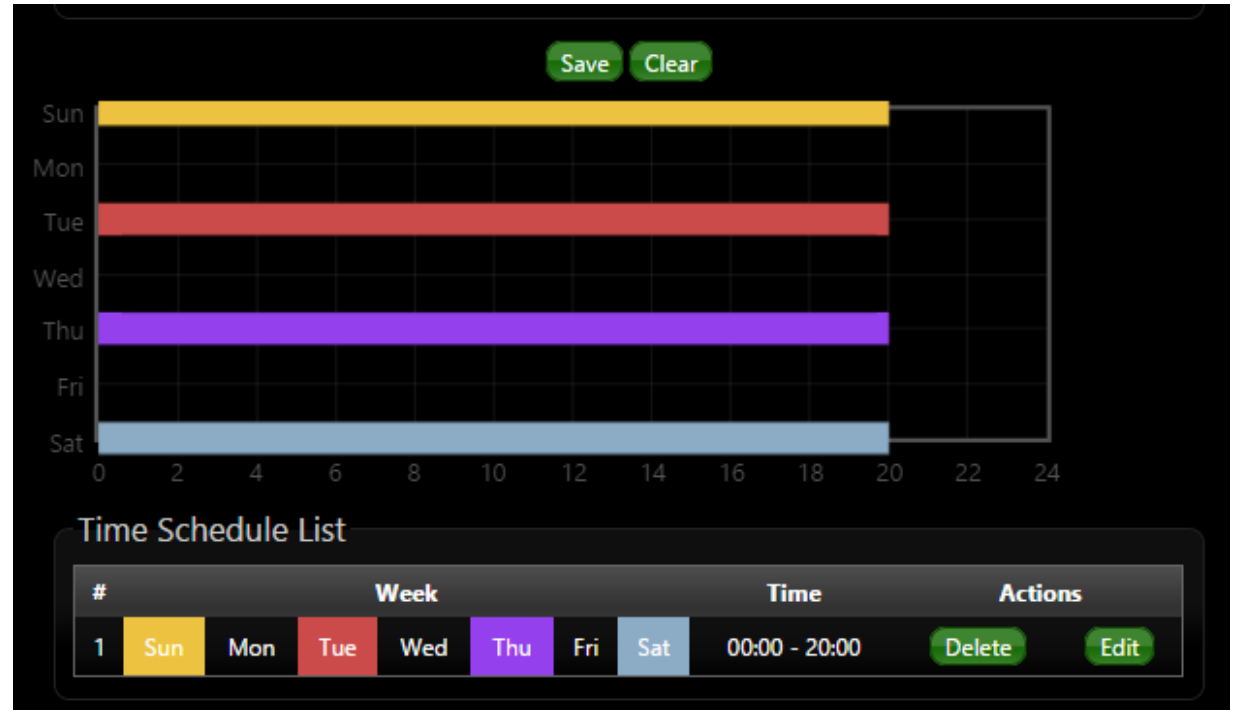
Time Schedule

Day of Week: Sun Mon Tue Wed Thu Fri Sat

Start From: 00 : 00

End At: 20 : 00

Save Clear



WM-100GX-N+7's CenOS 3.0 Time Policy function allows for management of usage time within a network. CenOS 3.0's easy to use interface allows for simple configuration of Day/Time restrictions that Admins can place on users within the network.



Administrators can activate the CenOS 3.0 Auto Reboot function that effectively reboots the network system routinely based on admin settings. This enables better system reliability and a lower likelihood of crashes. It also reduces the need for constant on-site system maintenance in case of system crashes.

Ping Watchdog

Service: Enable Disable

IP Address To Ping:

Ping Interval: Seconds

Startup Delay: Seconds

Failure Count To Reboot:

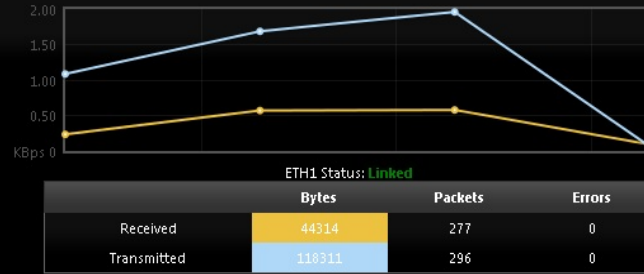
Auto Reboot

Type:

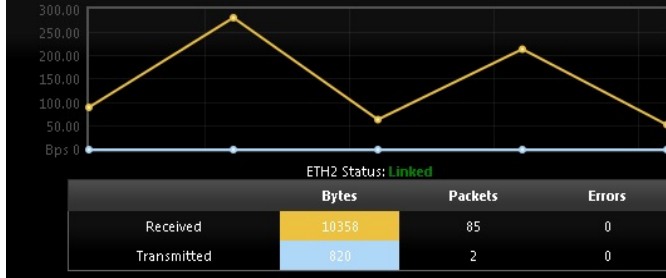
Time: :



LAN Traffic Monitor



WAN Traffic Monitor



Wireless Traffic Monitor



Provides Traffic Monitor and Graphical GUI Status Interface.



WM-100GX-N+7's CenOS 3.0 is a valuable software for organizations to deploy and manage Cerio products in a variety of challenging networking environments.

By utilizing Cerio CenOS 3.0 with WM-100GX-N+7, networks can be easily configured, controlled and monitored from one central location. Features include network segmentation (Multiple SSID), Parental and Time Policy Control, and IP/MAC filtering for enhanced network security.

The WM-100GX-N+7 management software delivers a robust suite of tools for IT managers and network administrators to conveniently deploy, manage and maintain wireless networks.



CERio
Amplify your Wireless Network

EXTREME[®]
POWER

Sales Contact @
issales@cerio.com.tw
TEL:+886 2 86676160 #168

EXTREME[®]
POWER