

# CERIO ANT Series Outdoor IP68 Directional Panel Antenna



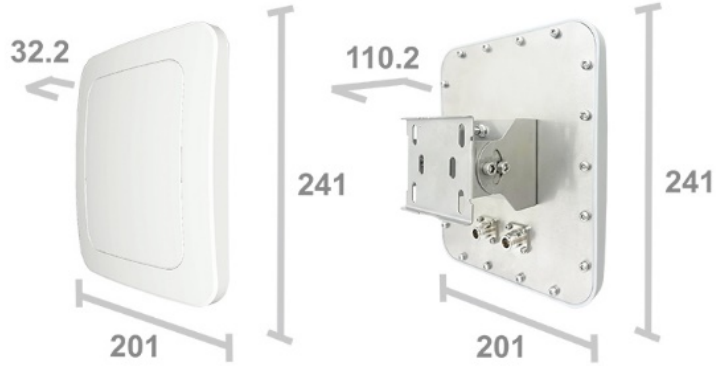
## Introduction

The CERIO Outdoor Directional Panel Antenna constructed with highly UV-resistant PC material (PC-122U) combined with aluminum alloy to achieve a high-sealing IP68 waterproof design. All materials are considered good in water tightness and prevention of rust characteristics. It provides polarized dual-signal characteristics, allowing multiple antenna applications for 2T2R or 4T4R MIMO. The user only uses one set of antenna with 2 or 4 sets of N-Type connectors for connection with low-attenuation RF cables and WiFi AP to MIMO applications that require multiple antennas. The perfect solution for faster, longer distances with MIMO multi-radio reception and wireless transmission.

## Highlight Features

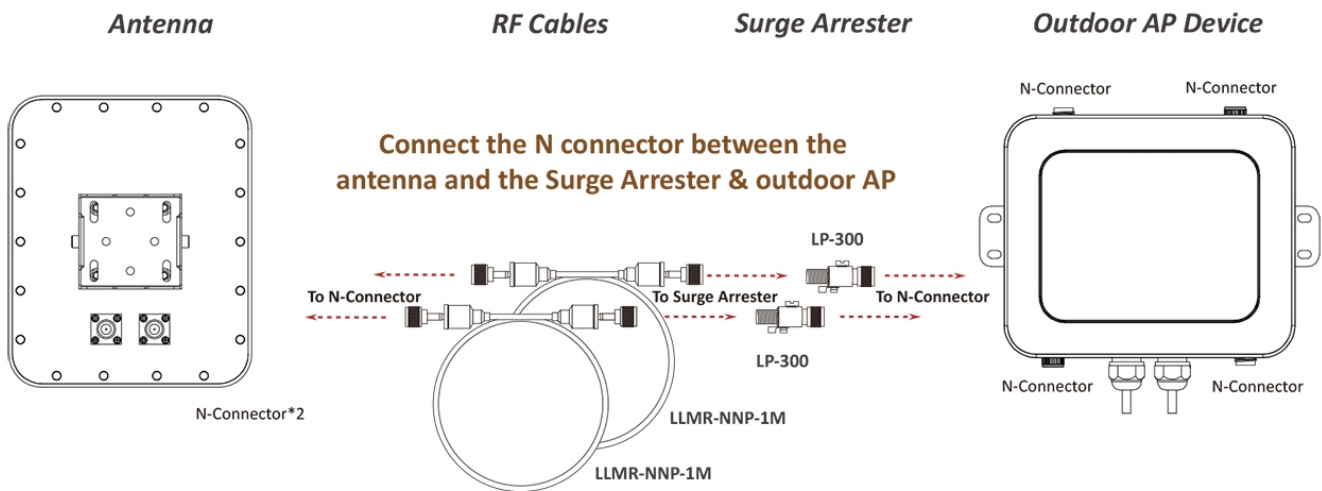
- Supports 5Ghz 5.1~5.9Ghz IEEE 802.11a/an/ac/ax or 2.4Ghz 2.4~2.5Ghz IEEE 802.11b/g/n/ax.
- Outdoor directional, long distance and high power.
- High performance.
- Certified with IP68 waterproof protection rating, suitable for applications in various weather conditions.
- Polarized dual-gender design and supports two or four N-Type (Female) connectors.
- Packaging includes SUS304 stainless steel single-axis adjustable mounting bracket (OW-PKUR).
- High-sealing structure with UV resistance, high-temperature durability, combines aluminum alloy and stainless steel materials, ensuring weather resistance and extended lifespan.

## Product Overview & Dimension

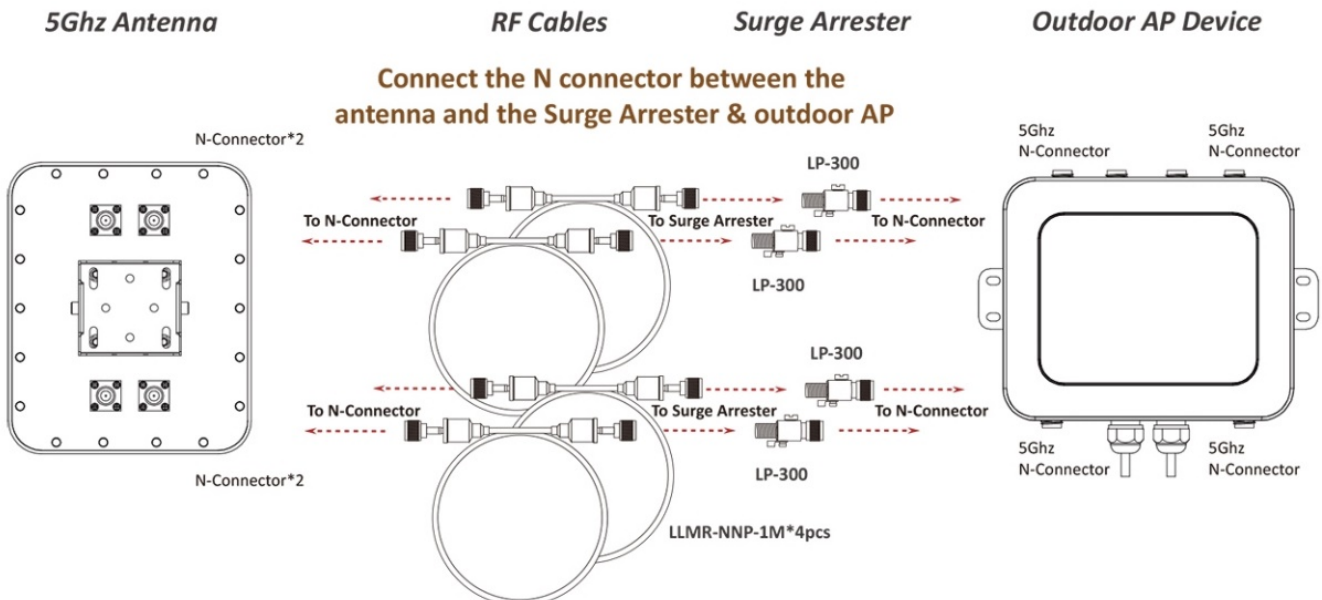


## Product Installation & Application






### 2T2R MIMO Application






### 4T4R MIMO Application



## Antenna Product List

Model no.	Product Photo	Specification
ANT-10FD		<b>2.4GHz 2x2 Outdoor IP68 Wide Rang Directional 10dBi Panel Antenna</b> *Supports 2.4Ghz 2.4~2.5Ghz IEEE 802.11b/g/n/ax *High Gain: 10dBi * <b>Vertical installation:</b> H 120°, V 60°, <b>Horizontal installation:</b> H 60°, V 120° *Supports two N-Type (Female) connectors.
ANT-10AD		<b>5GHz 2x2 Outdoor IP68 Directional 10dBi Panel Antenna</b> *Supports 5Ghz 5.1~5.9Ghz IEEE 802.11a/an/ac/ax. *High Gain: 10dBi * <b>Vertical installation:</b> H 35°, V 30°, <b>Horizontal installation:</b> H 30°, V 35° *Supports two N-Type (Female) connectors.
ANT-14AD		<b>5GHz 2x2 Outdoor IP68 Directional 14dBi Panel Antenna</b> *Supports 5Ghz 5.1~5.9Ghz IEEE 802.11a/an/ac/ax. *High Gain: 14dBi * <b>Vertical installation:</b> H 35°, V 65°, <b>Horizontal installation:</b> H 65°, V 35° *Supports two N-Type (Female) connectors.
ANT-18AD		<b>5GHz 2x2 Outdoor IP68 Directional 18dBi Panel Antenna</b> *Supports 5Ghz 5.1~5.9Ghz IEEE 802.11a/an/ac/ax. *High Gain: 18dBi * <b>Vertical installation:</b> H 18°, V 14°, <b>Horizontal installation:</b> H 14°, V 18° *Supports two N-Type (Female) connectors.
ANT-15AQ		<b>5GHz 4x4 Outdoor IP68 Directional 15dBi Panel Antenna</b> *Supports 5Ghz 5.1~5.9Ghz IEEE 802.11a/an/ac/ax. *High Gain: 15dBi * <b>Vertical installation:</b> H 35°, V 65°, <b>Horizontal installation:</b> H 65°, V 35° *Supports four N-Type (Female) connectors.

## Antenna Accessory List

Model no.	Product Photo	Specification
LLMR-NNP-1M		1M N-Plug (Male) to N-Plug (Male) LLMR200 Low Loss RF Antenna Cable
LLMR-NNP-2M		2M N-Plug (Male) to N-Plug (Male) LLMR200 Low Loss RF Antenna Cable
LP-300		11nabg 2.4GHz / 5GHz N-Female to N-Male Lightning Protector